

FEEL THE HEAT!

4 Seat Aluminum Sport Roof

Part # **18-1002** Polaris RZR 4 XP1K & 900 (2015+); RZR 4 Turbo (2016+) Black

Congratulations on your purchase of the DragonFire Aluminum Roof for the Polaris RZR 4-Seater. Designed to give your vehicle a stylish look while providing you with shade from the sun and rain. Be sure to check out the full line of DragonFire Accessories for your Polaris RZR at your local authorized dealer or online at <http://www.DragonFireRacing.com>

WARNING

- Read and understand these instructions before installing product
- This product does not provide roll over protection
- This product does not provide additional protection in the event of a collision
- This product is not intended to hold cargo
- Never stand or allow passengers on top of roof
- Do not use product if there are any signs of damage

Disclaimer

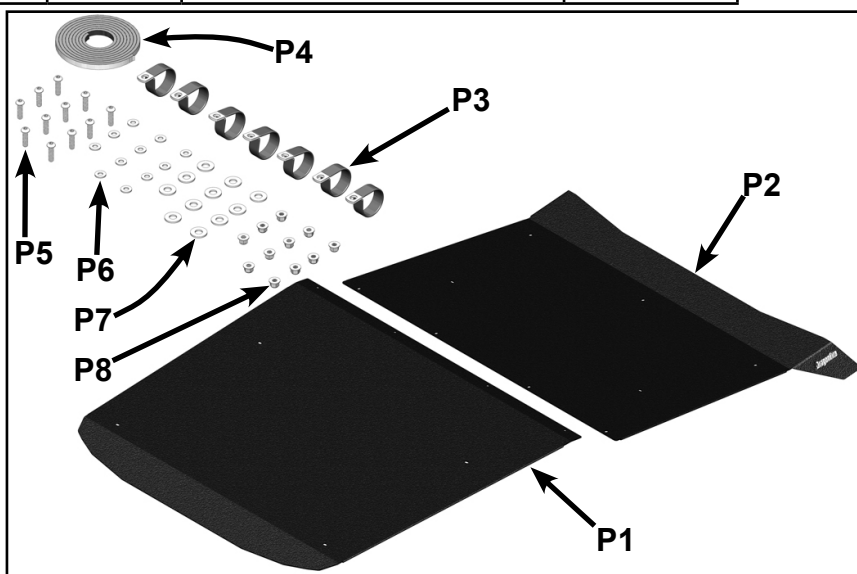
Off road activities can be hazardous and could lead to injury, dismemberment, paralysis and death. No warranty of representation is made as to the products ability to protect the user from any injury or death. The user assumes that risk. The acceptance and /or use of this merchandise purchased from DragonFire by the customer hereby shall release DragonFire from any and all liability pertaining to the use of such merchandise.

Pre-installation: Lay out components and compare to list and images.

Part & Hardware List					
ITEM	QTY	SIZE	LENGTH	TYPE	STEP USED
P1	1	-	-	Front Roof Panel	3
P2	1	-	-	Rear Roof Panel	5
P3	3	1-3/4"	-	P-Clamp	6, 7, & 8
P4	1	3/16" x 3/8"	8.5'	Foam Weatherstripping	3, 9, & 10
				Hardware Kit	
P5	5	M8 x 1.25	30mm	Button Head Bolt	5, 6, 7, & 8
P6	5	M8	-	Nylon Washer	5, 6, 7, & 8
P7	5	M8	-	Rubber Washer	5, 6, 7, & 8
P8	5	M8	1.25	Flange Nylon LockNut	5, 6, 7, & 8

Tools Required

T40 Torx
 5mm Allen or Wrench
 13mm Socket or Wrench
 Ratchet



An assistant may be required during installation.

Step 1: Place vehicle on a flat and level surface. Place gear selector in "Park" and remove keys from the ignition.

Step 2: Locate the 2 factory Torx bolts at the top back of the stock plastic visor (Figure A). Uninstall bolts and set aside for later use.

Note: Roof can be installed without plastic visor. Uninstall plastic visor if desired.

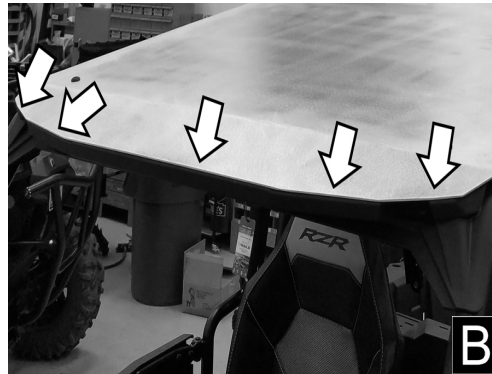
Step 3: Carefully place Front Roof Panel [P1] on vehicle frame and align front slots of the roof to the holes where bolts were removed in Step 2.

With Plastic Visor: Cut 5 pieces of 3" to 5" foam weatherstripping [P4]. Place them on the underside of the roof (in between the roof and visor) at the 5 locations shown in Figure B.

Without Plastic Visor: Cut 3 pieces of 3" to 5" foam weatherstripping. Place them on the underside of the roof (in between the roof panel and frame of vehicle) as necessary.

Note: Foam weatherstripping are placed where frame comes in contact with roof to help with noise dampening.

Step 4: Loosely reinstall the 2 factory Torx bolts (Figure C).

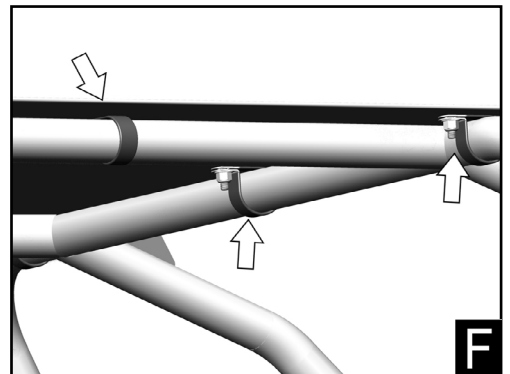
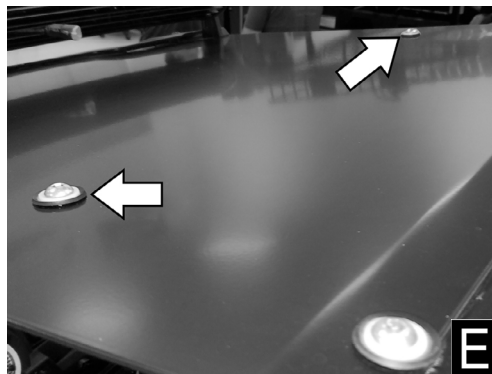
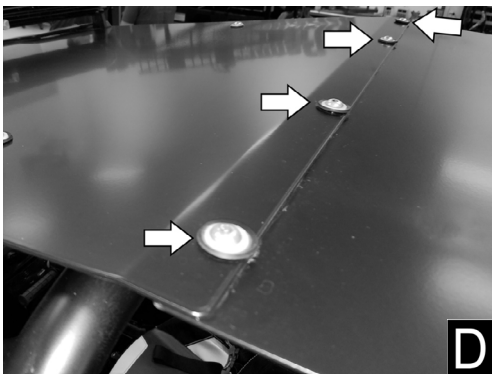


Step 5: Carefully place and align Rear Roof Panel [P2] to the Front Roof Panel. Install panels together using hardware: insert bolt [P5] through nylon washer [P6] and rubber washer [P7] and then install through the panels where shown (Figure D). Hand-tighten using locknut [P8].

Step 6: Install supplied hardware and P-Clamps [P3] at the locations shown (Figure E). Insert bolt [P5] through nylon washer [P6] and rubber washer [P7]. Install them through the top of Front Roof Panel and P-Clamp [P3] and then hand-tighten using nylon locknut [P8].

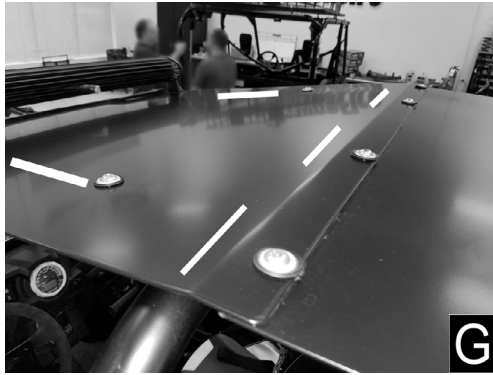
Step 7: Loosely install supplied hardware and P-Clamps [P3] where shown (Figure F).

Step 8: Loosely install supplied hardware and P-Clamps [P3] to the 2 remaining outside mounts on opposite side.



Step 9: Cut multiple 3" to 5" foam weatherstripping and place them in between frame and roof. The white lines in Figure G are recommended locations for the front section of vehicle.

Step 10: Cut multiple 3" to 5" foam weatherstripping and place them in between frame and roof. The black lines in Figure H are recommended locations for the rear section of vehicle.



Step 11: Tighten all hardware until roof is secured. **Do not** overtighten hardware; overtightening will cause dimples.

Step 12: This completes installation. Time to ride and enjoy!

ProTip: Periodically check all hardware and re-tighten if needed.

For further assistance please contact us at customerservice@dragonfireracing.com or 1-800-708-9803.