

EN

SKID PLATE INSTALLATION MANUAL

DE

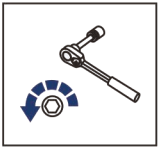
MONTAGEEINLEITUNG FÜR UNTERBODENSCHUTZSYSTEM



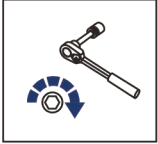
For: Honda Pioneer 700 (2023-)

2444.2151.2

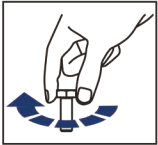




EN Regular fasteners
DE Originale montageile



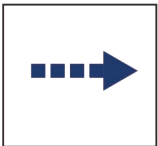
EN Regular fasteners
DE Originale montageile



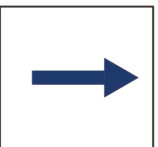
EN Screw a several turns
DE Für wenigen Umdrehungen befestigen



EN Loosen bolts
DE Bolzen lockern



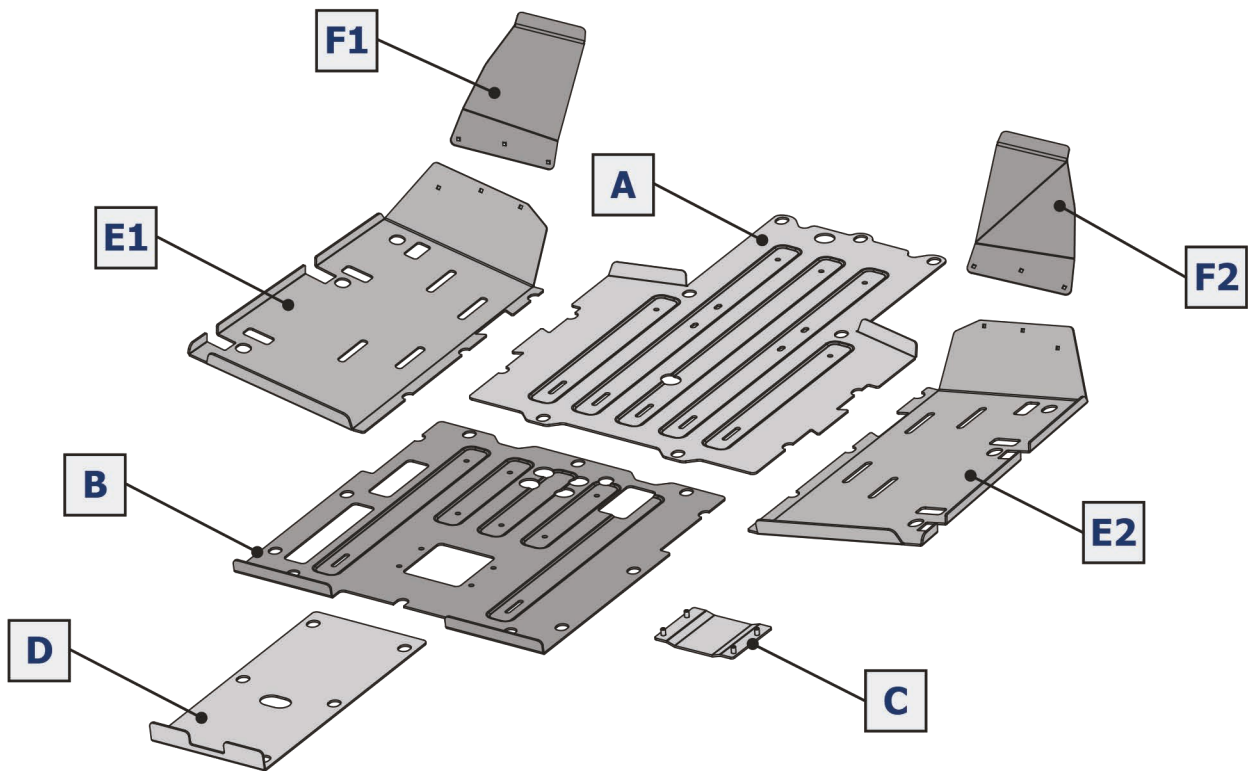
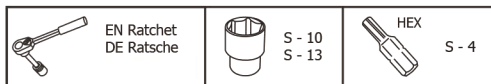
EN Movement Arrow
DE Bewegungsrichtung













EN Location/Position Arrow
DE Anordnung/Positionsrichtung

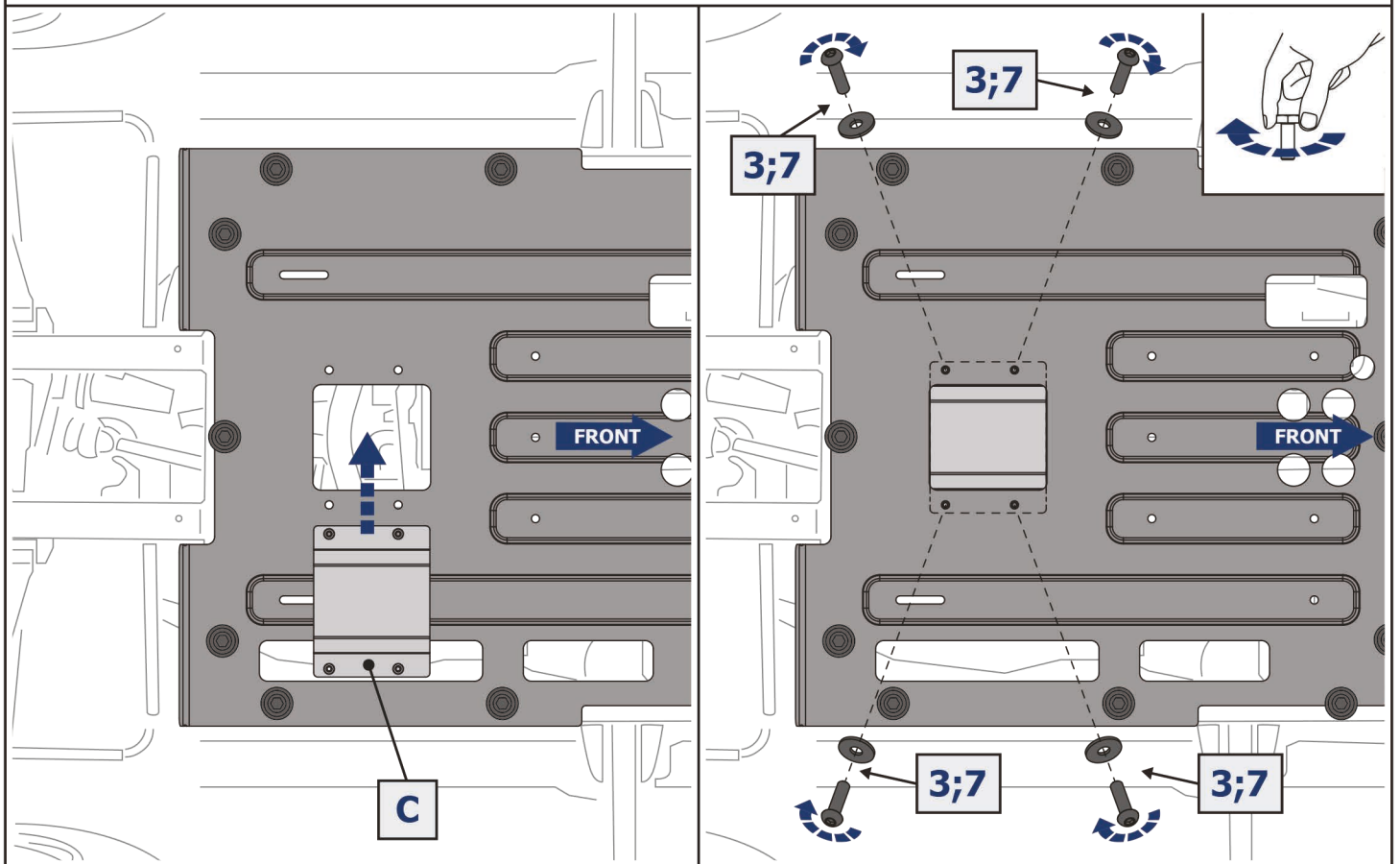
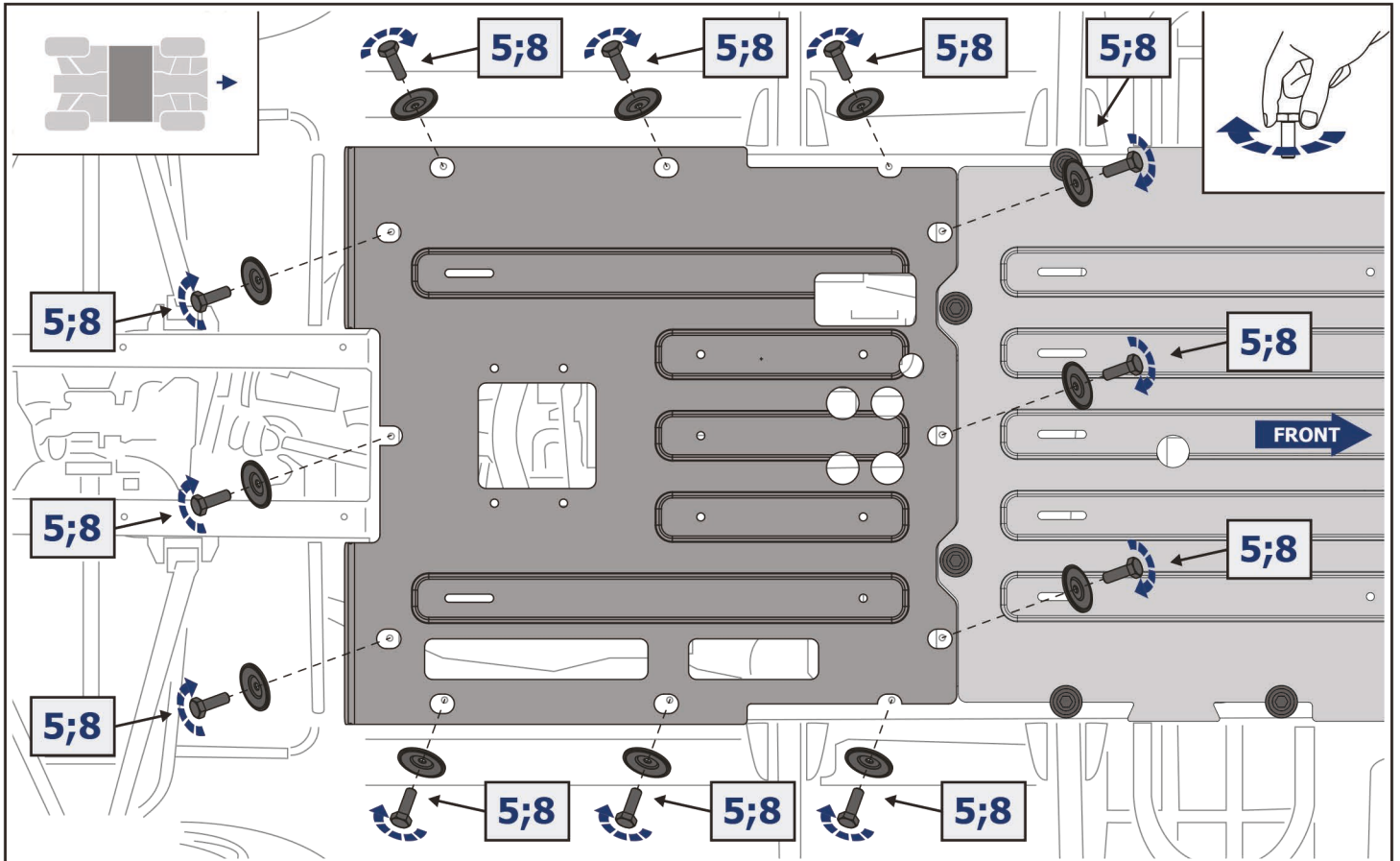


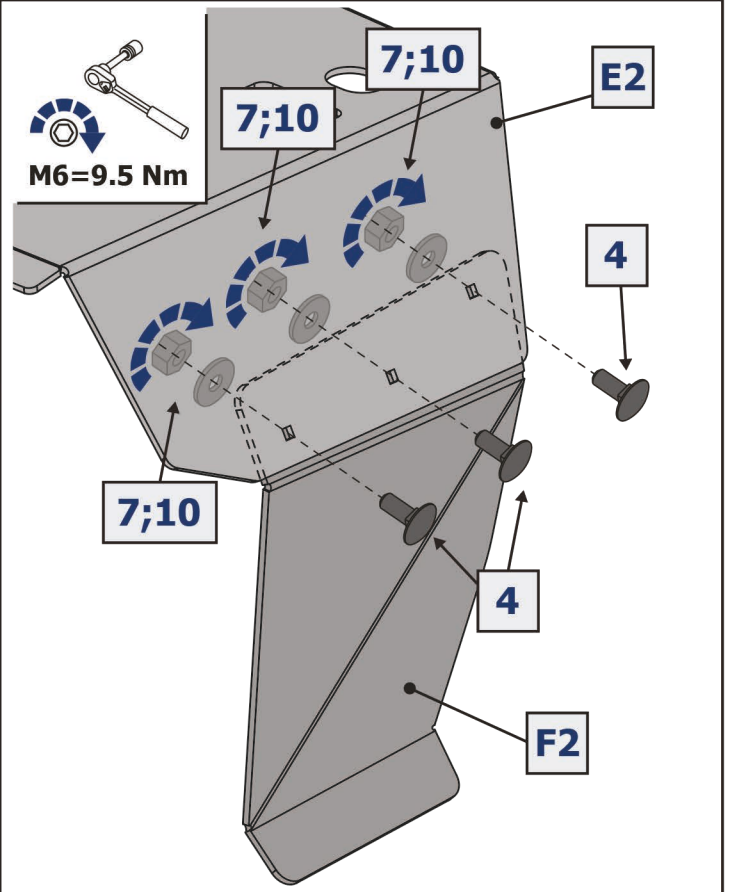
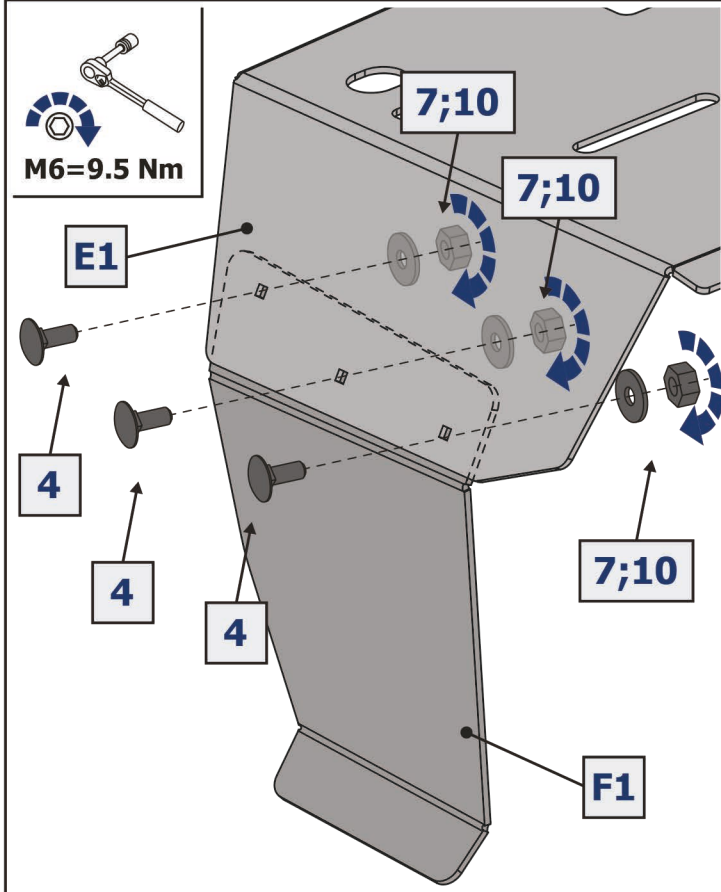
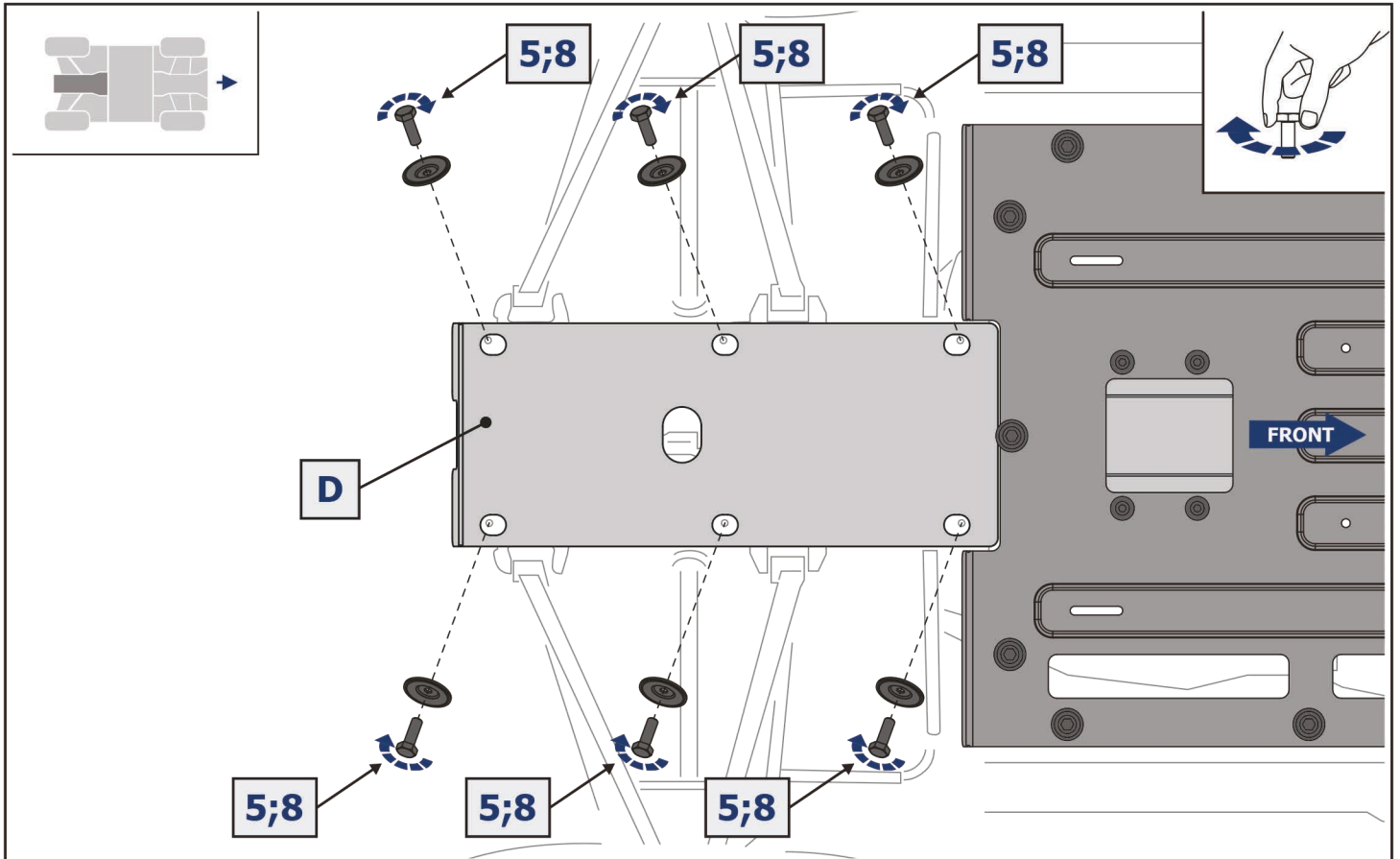
EN Screw Arrow
DE Drehungsrichtung

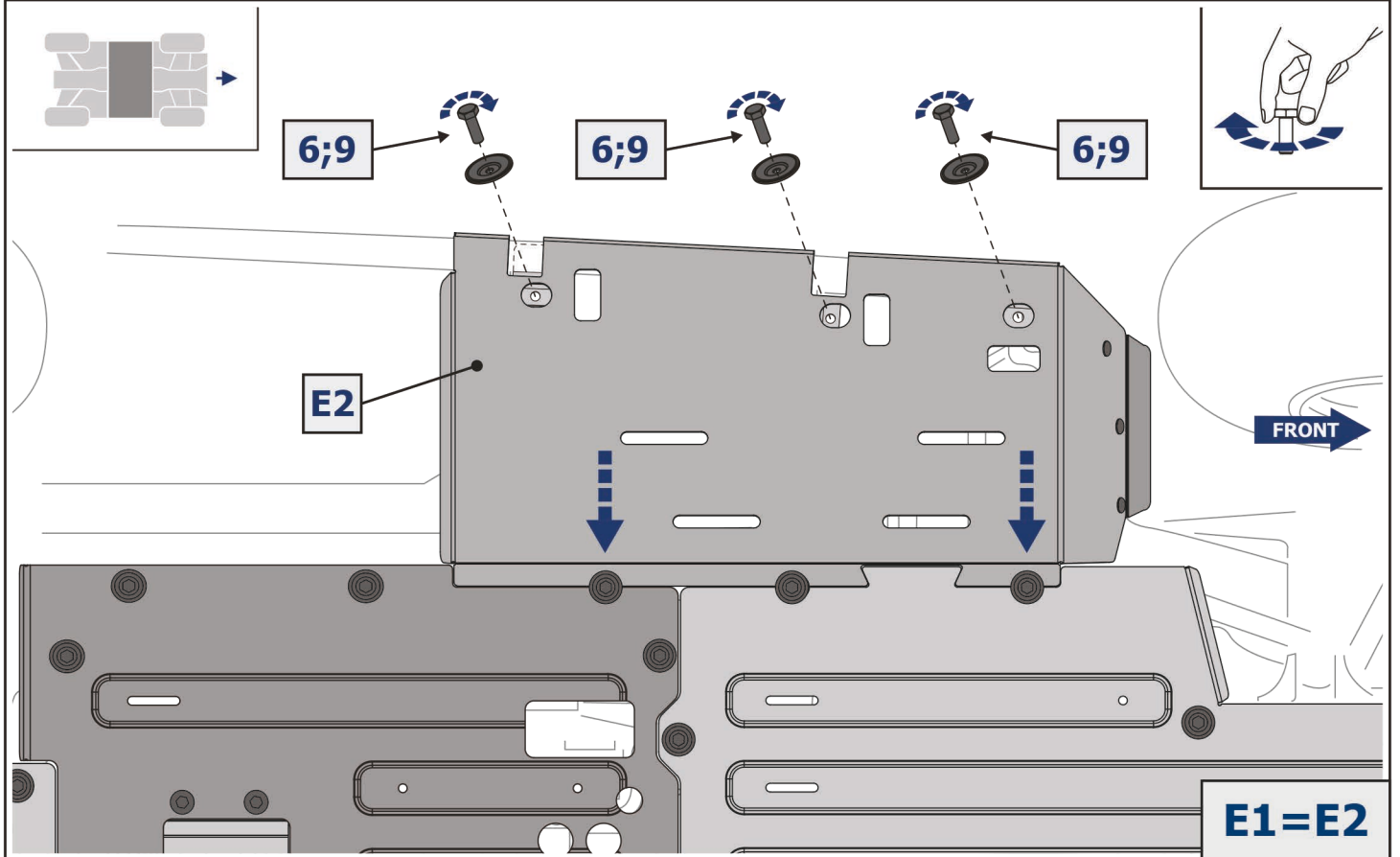
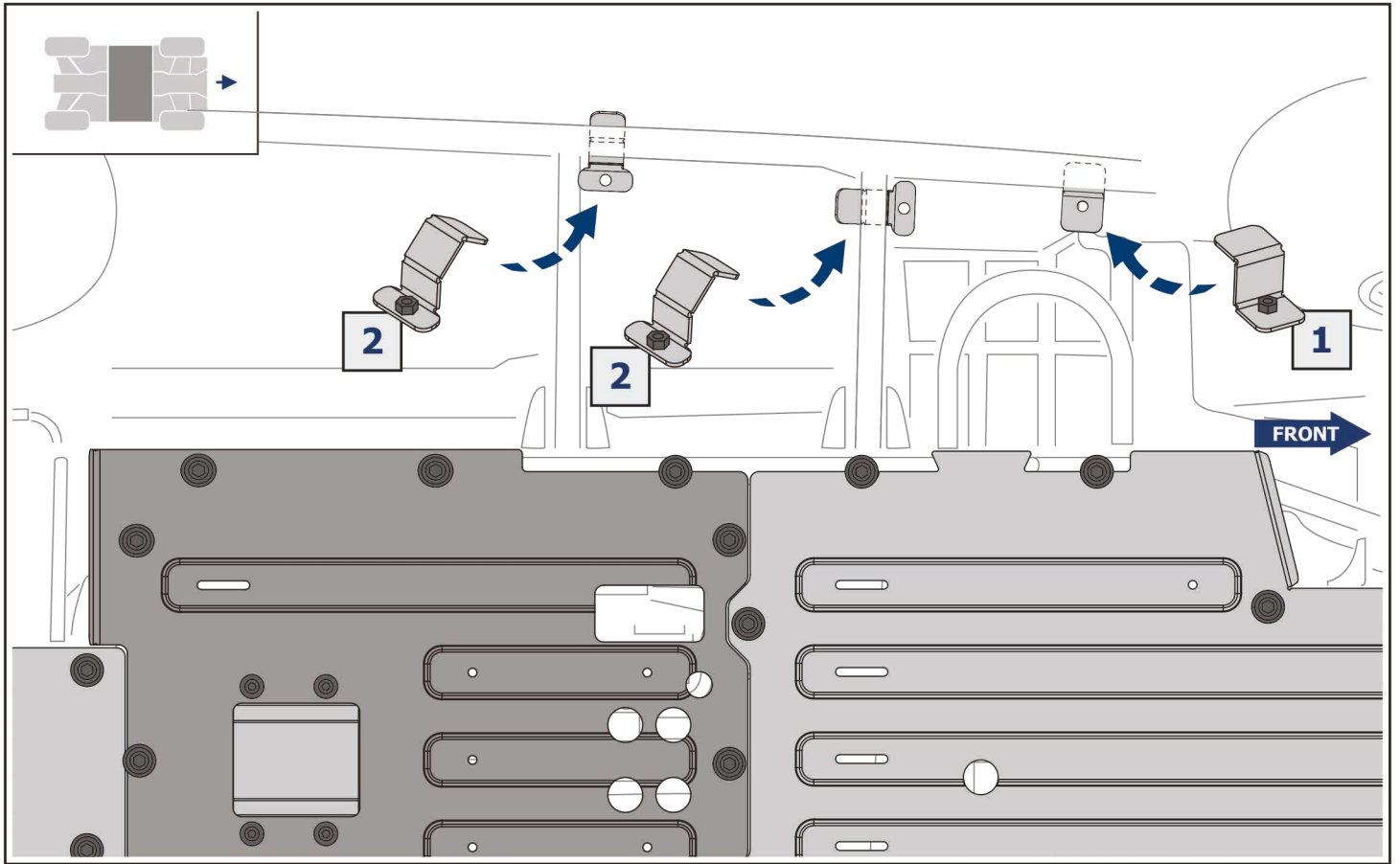


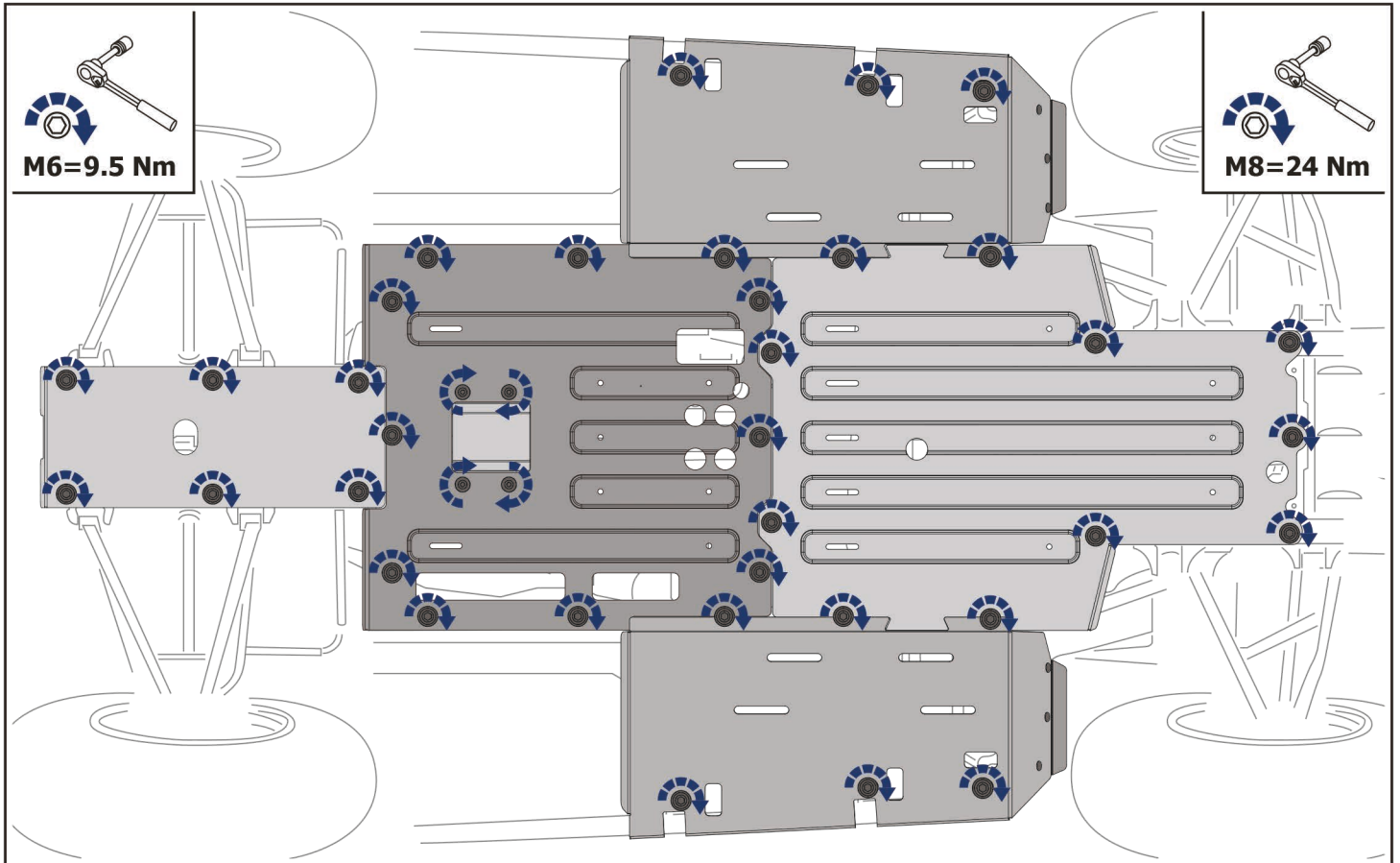
1  x2	2  x4	3  M6x20 x4	4  M6x16 x6	5  M6x20 x29	6  M8x25 x6
7  ø6 x10	8  ø6 x29	9  ø8 x6	10  M6 x6		

PRE-INSTALLATION: LAY OUT COMPONENTS AND COMPARE TO LIST AND IMAGES. IMAGES MAY NOT PORTRAY THE FULL DETAIL OR EXACT SHAPE OF THE PARTS; HOWEVER, THEY REPRESENT PARTS THAT HAVE SAME OR SIMILAR FUNCTION.









TIP: PERIODICALLY CHECK ALL HARDWARE AND RE-TIGHTEN IF NEEDED.