

EN REAR DOOR KIT INSTALLATION MANUAL

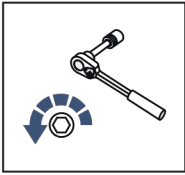
DE MONTAGEEINLEITUNG TÜREN SET



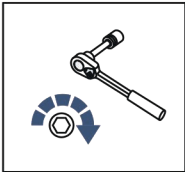
**For: Polaris Ranger XP1000 CREW (2019-)**

2444.7475.2

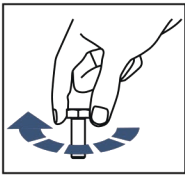




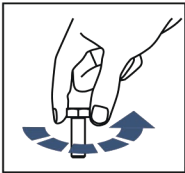
EN Regular fasteners  
DE Schraube herausdrehen



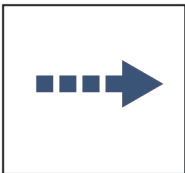
EN Regular fasteners  
DE Schraube eindrehen und festziehen



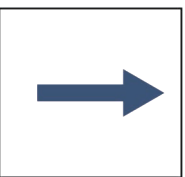
EN Screw a several turns  
DE Schraube wenige Umdrehungen eindrehen



EN Loosen bolts  
DE Schraube wenige Umdrehungen lösen



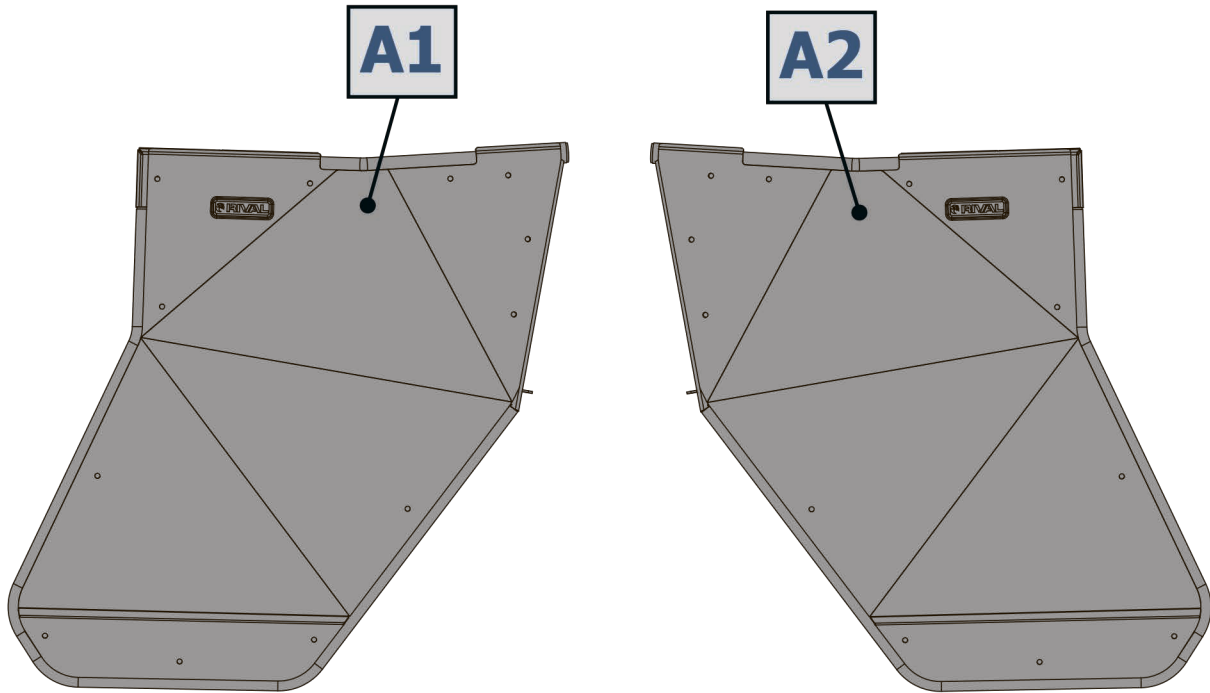
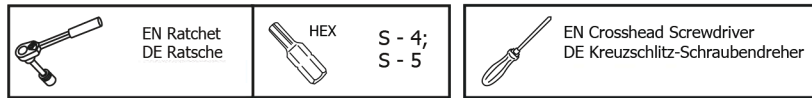
EN Movement Arrow  
DE Bewegungsrichtung

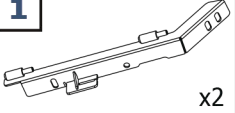
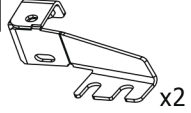

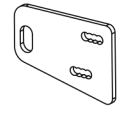
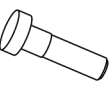

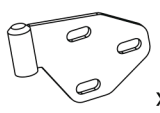
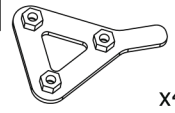
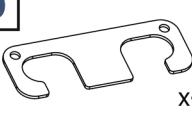
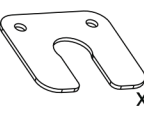



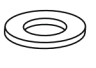
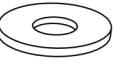

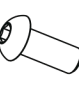
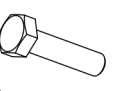
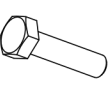
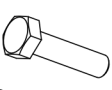
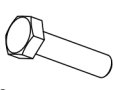

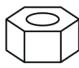


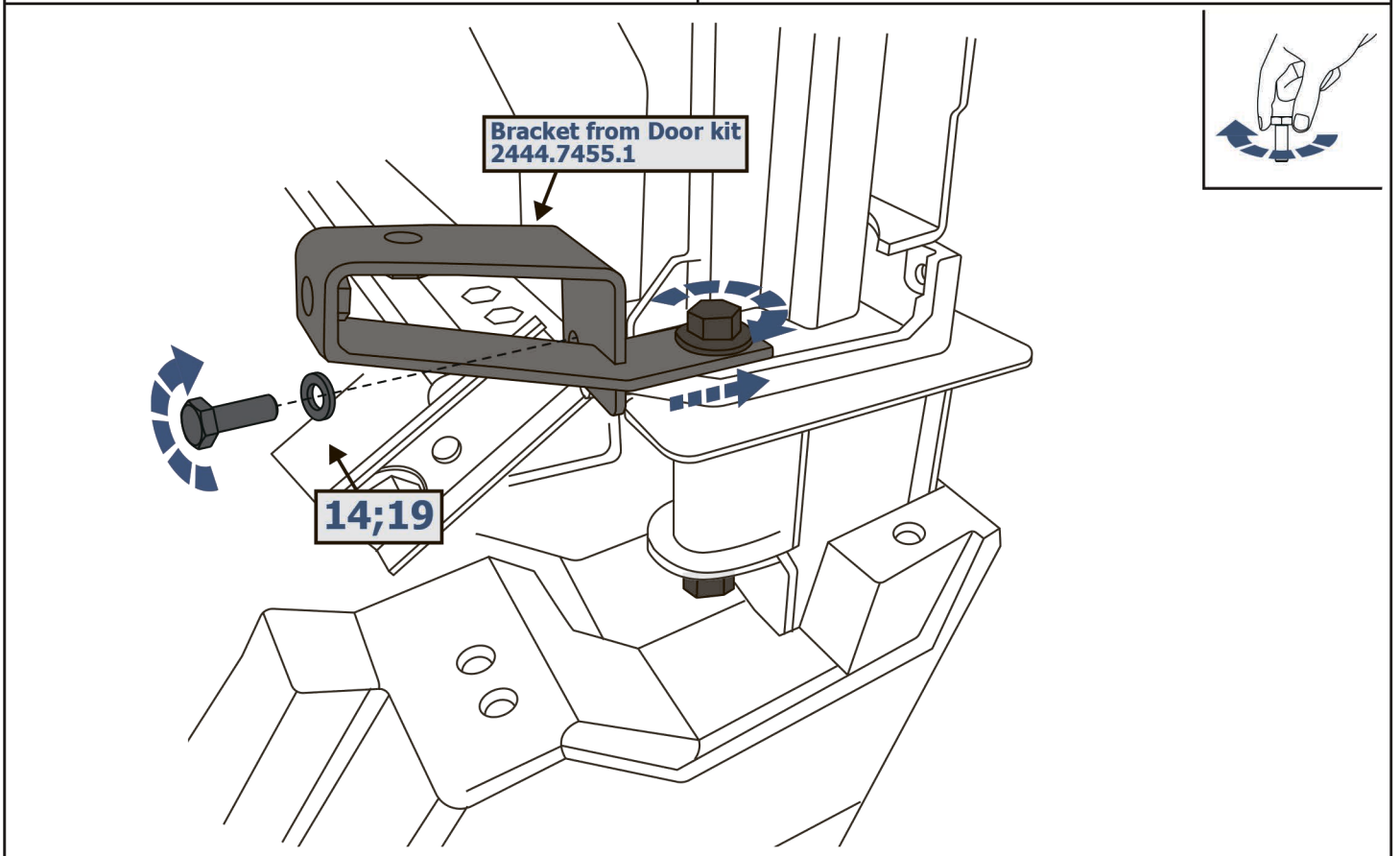
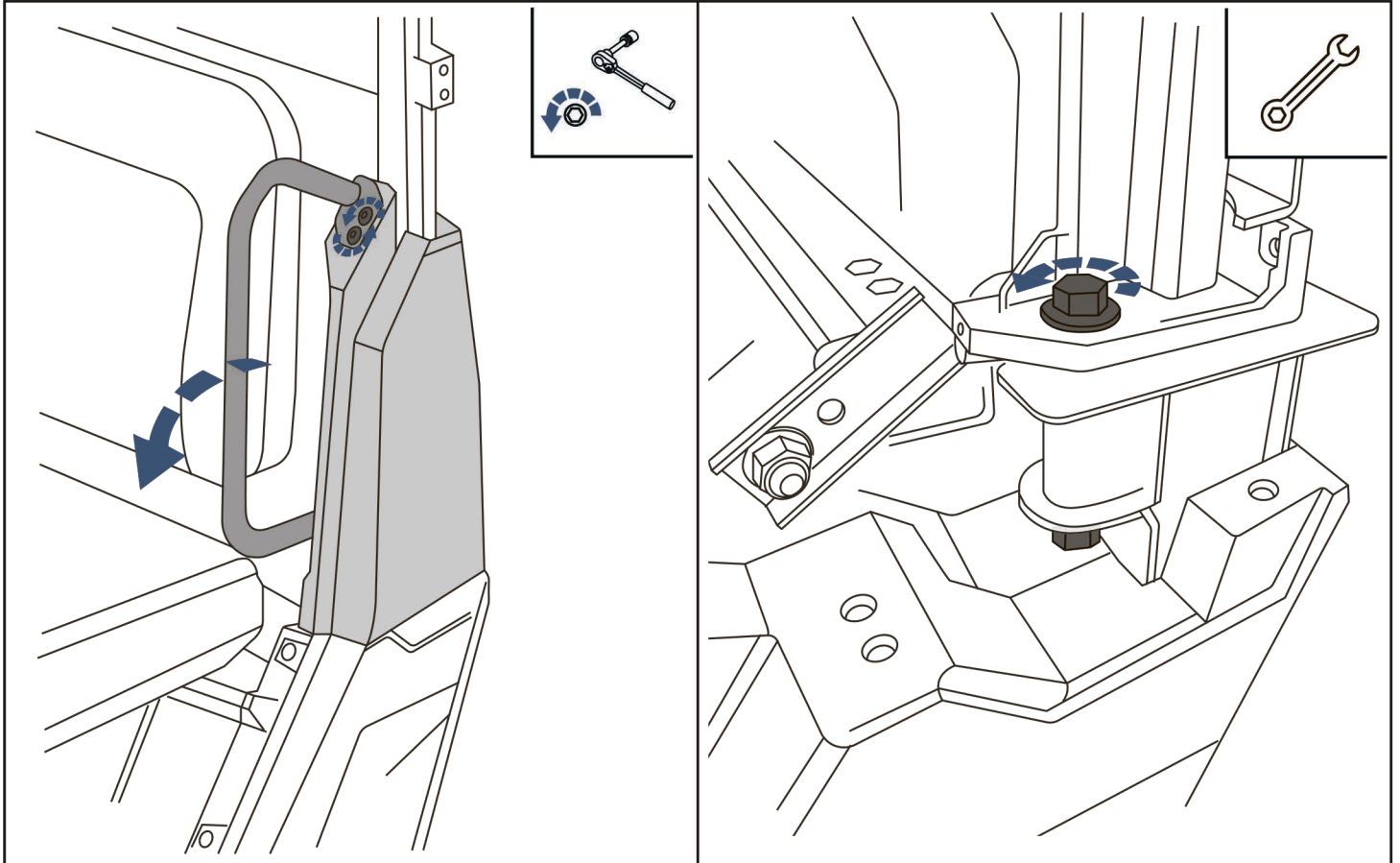
EN Location/Position Arrow  
DE Blickrichtung / Postionsrichtung

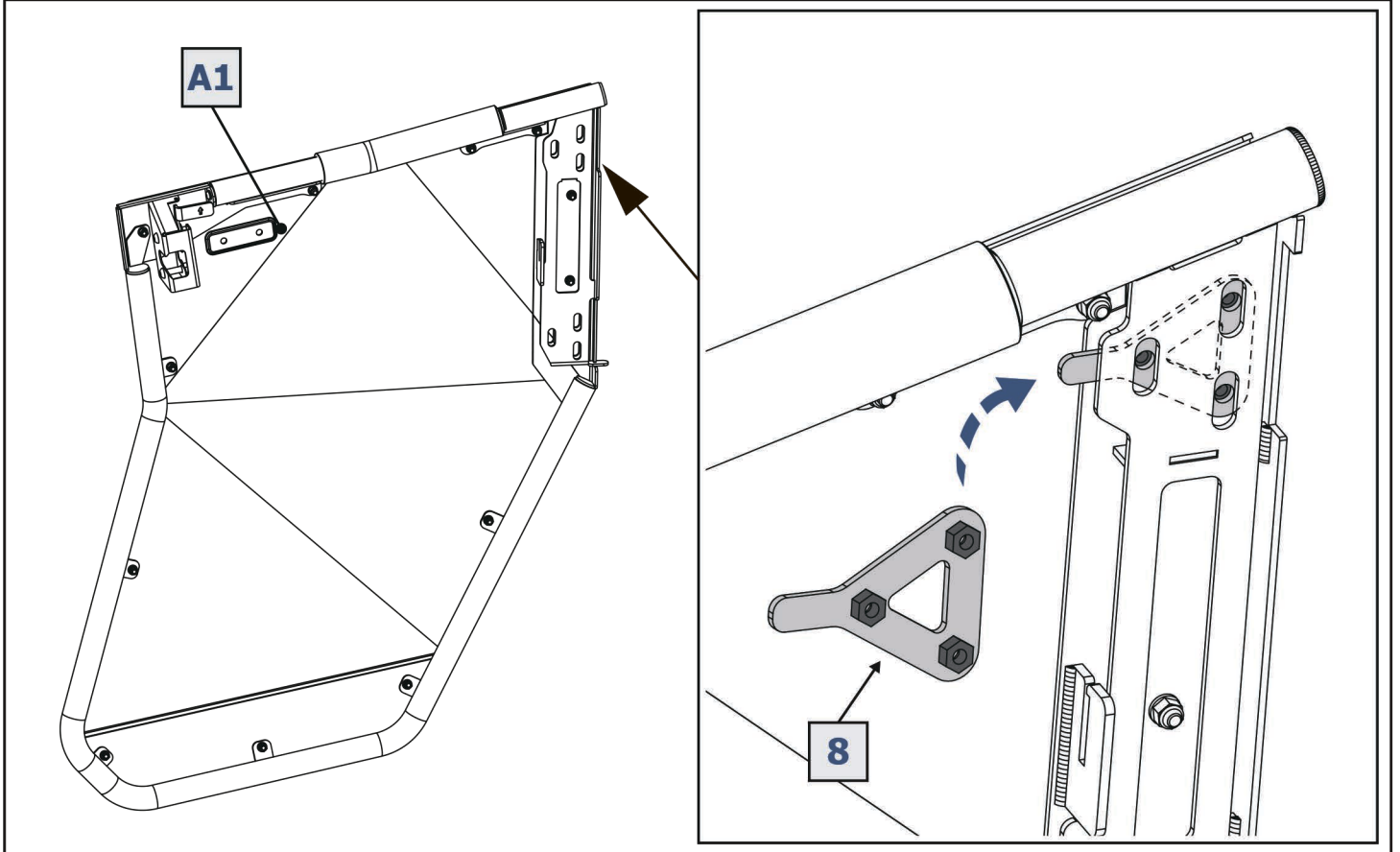
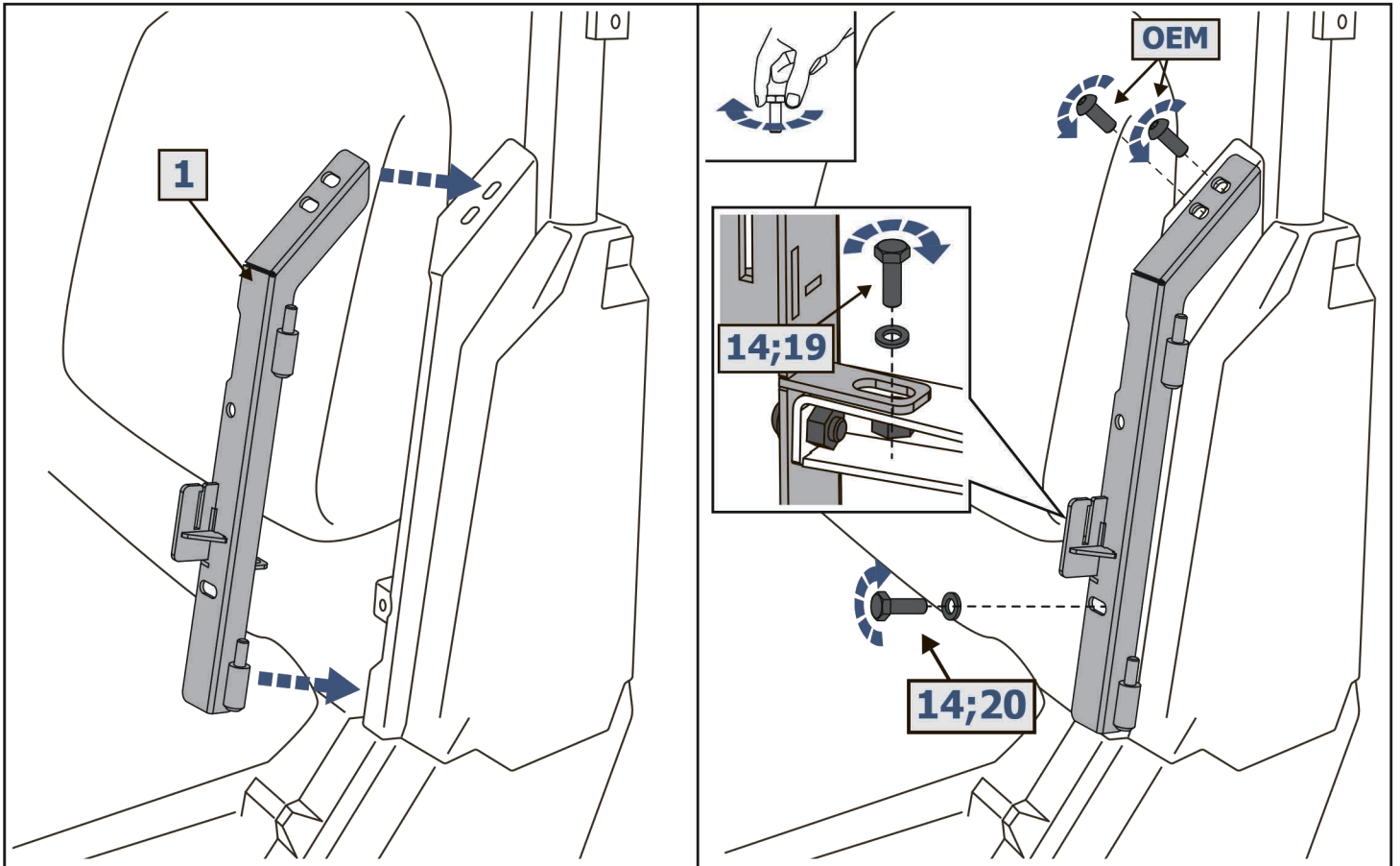


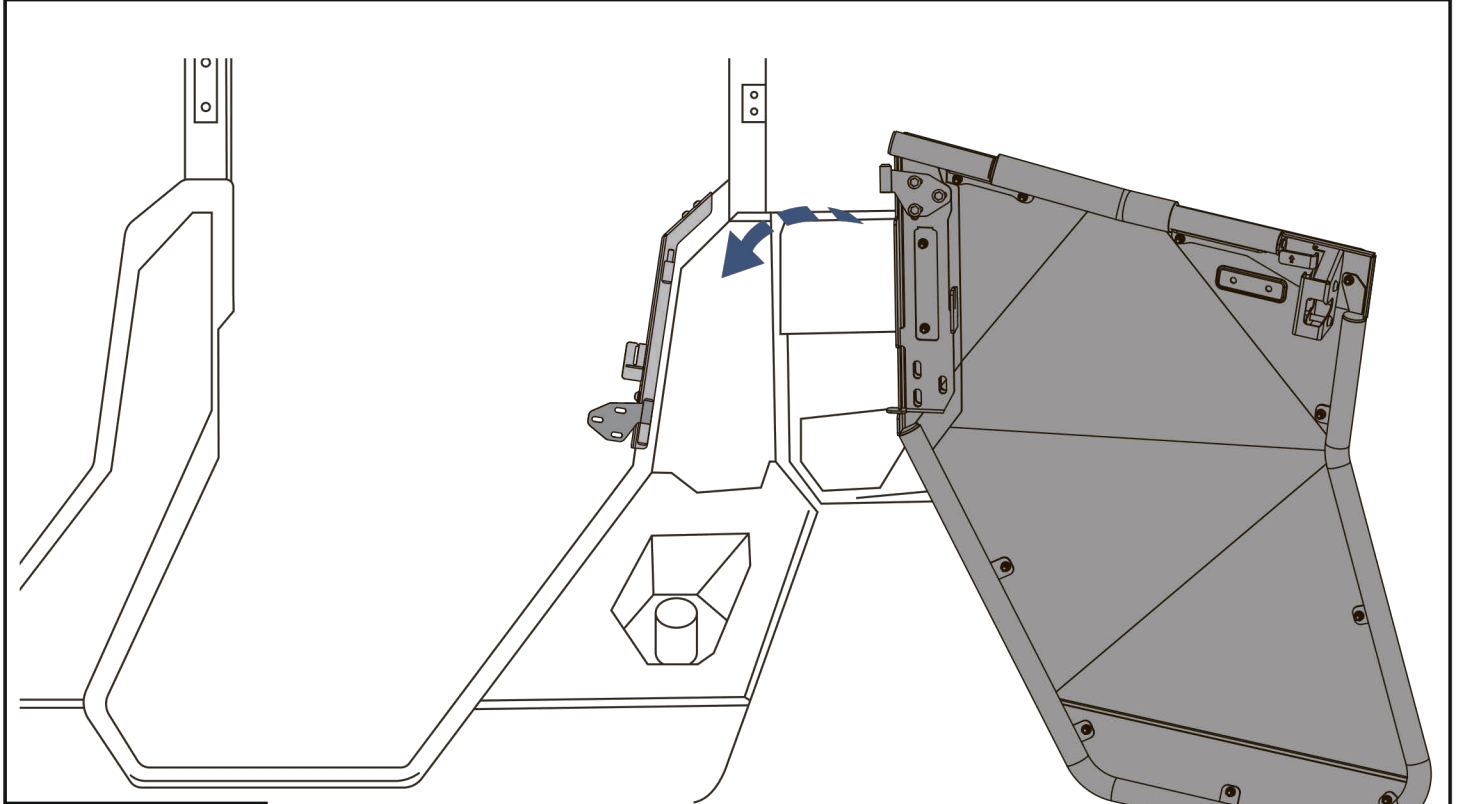
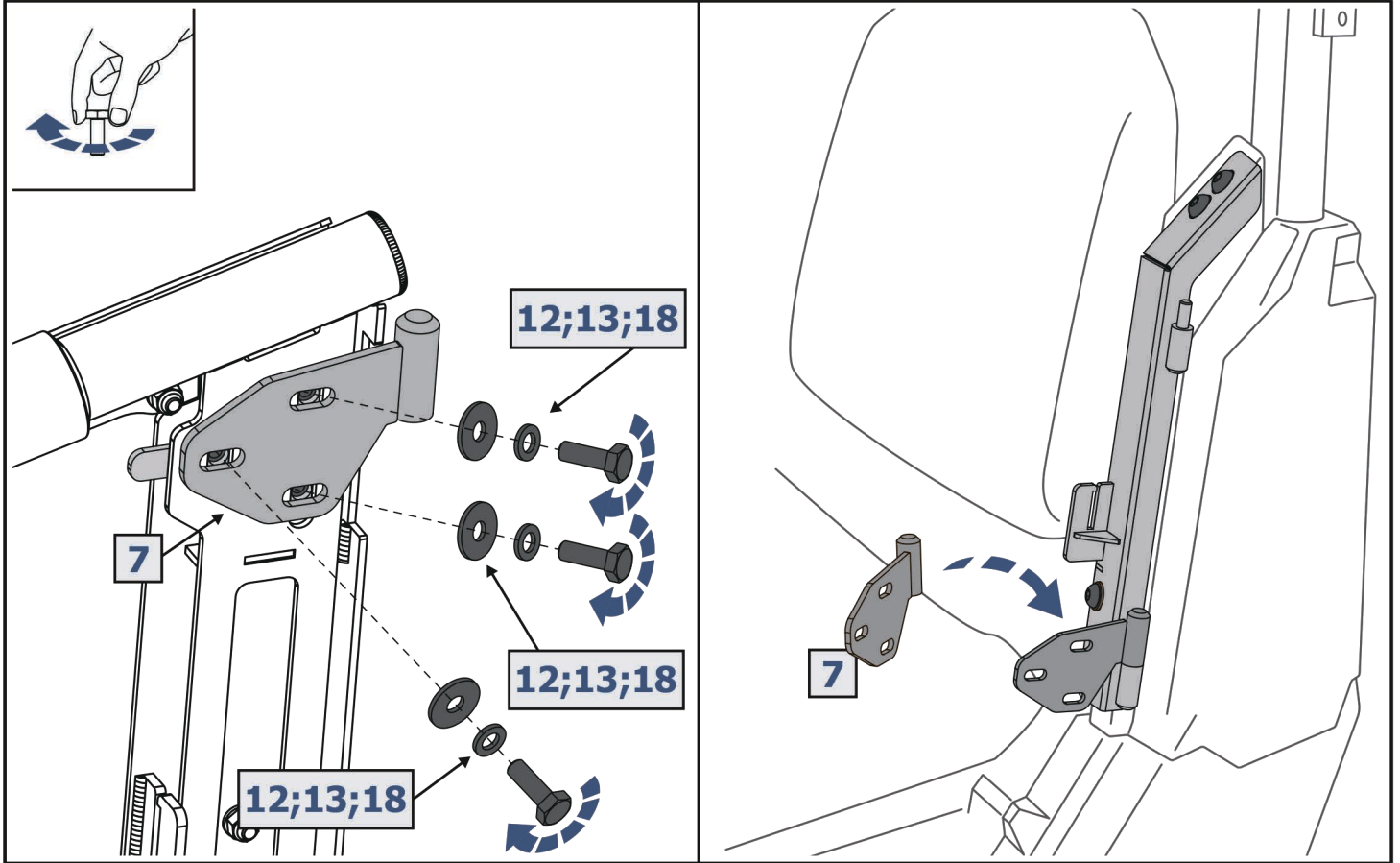
EN Screw Arrow  
DE Drehrichtung



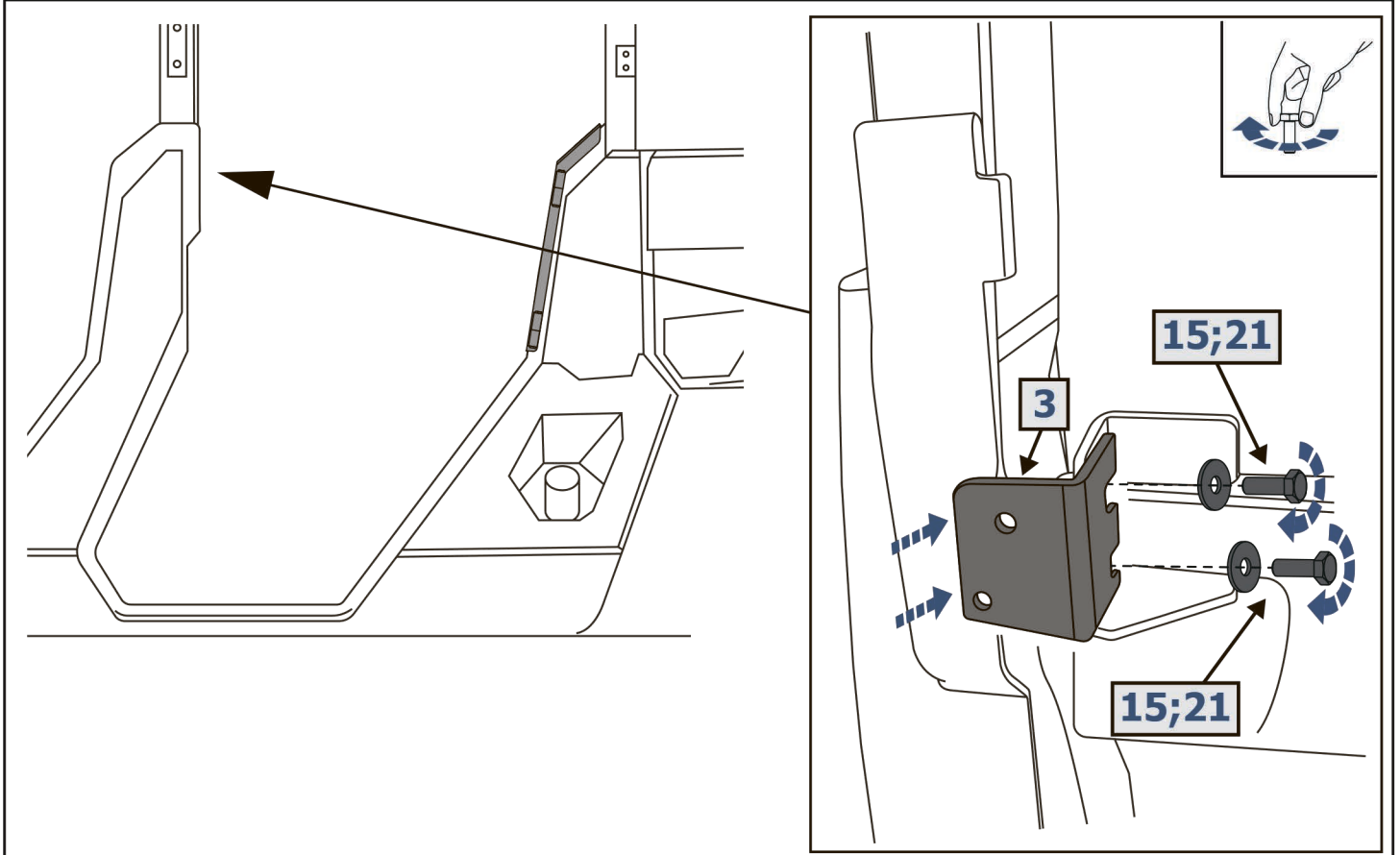
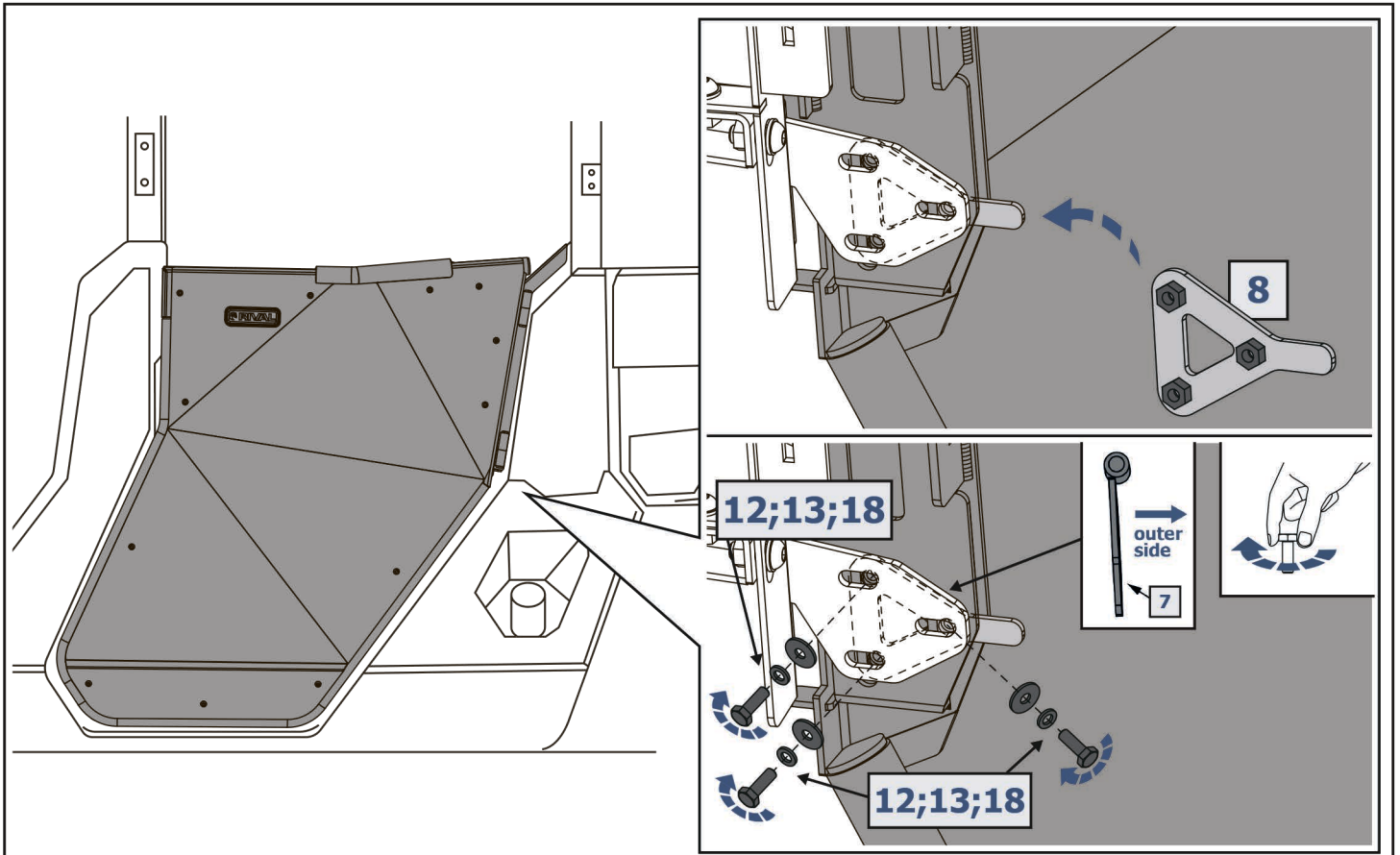
<b>1</b>  x2	<b>2</b>  x2	<b>3</b>  x2	<b>4</b>  x2	<b>5</b>  x2	<b>6</b>  x2
<b>7</b>  x4	<b>8</b>  x4	<b>9</b>  x4	<b>10</b>  x24	<b>11</b>  x6	<b>12</b>  Ø6 x12
<b>13</b>  Ø6 x12	<b>14</b>  Ø8 x10	<b>15</b>  Ø8 x12	<b>16</b>  x4	<b>17</b>  M6x16 x4	<b>18</b>  M6x20 x12
<b>19</b>  M8x20 x4	<b>20</b>  M8x30 x2	<b>21</b>  M8x40 x4	<b>22</b>  3,9x16 x2	<b>23</b>  M10 x4	

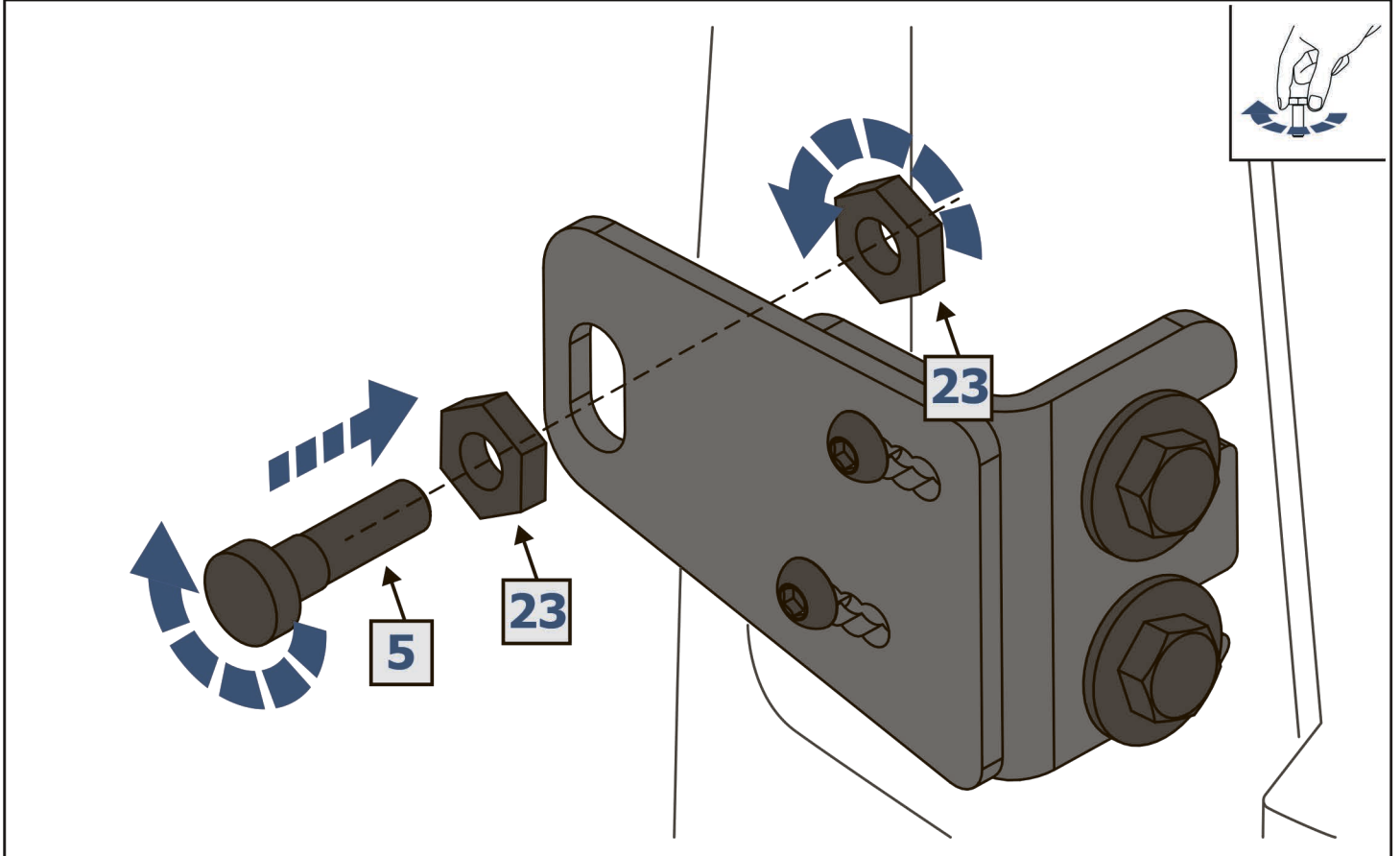
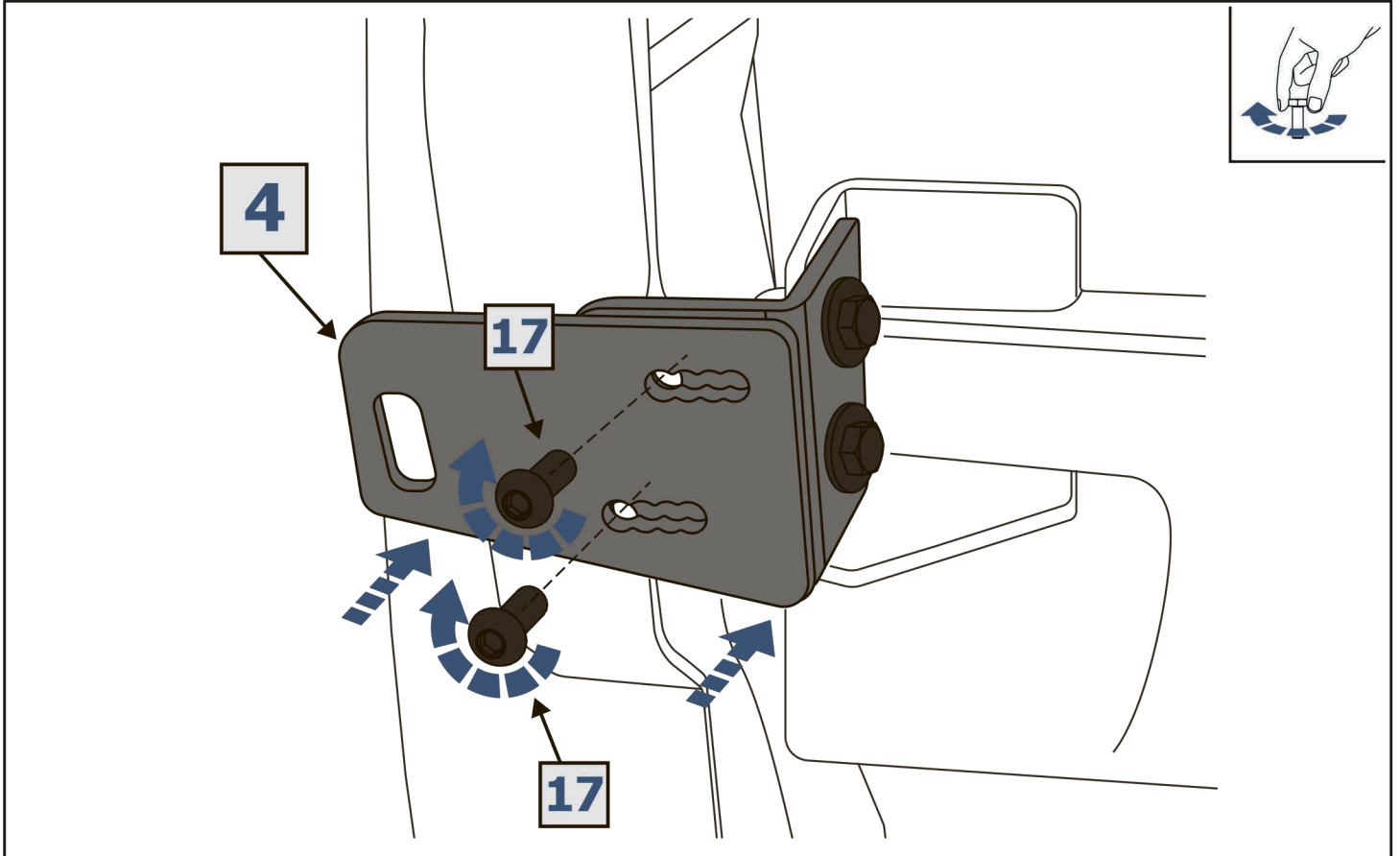


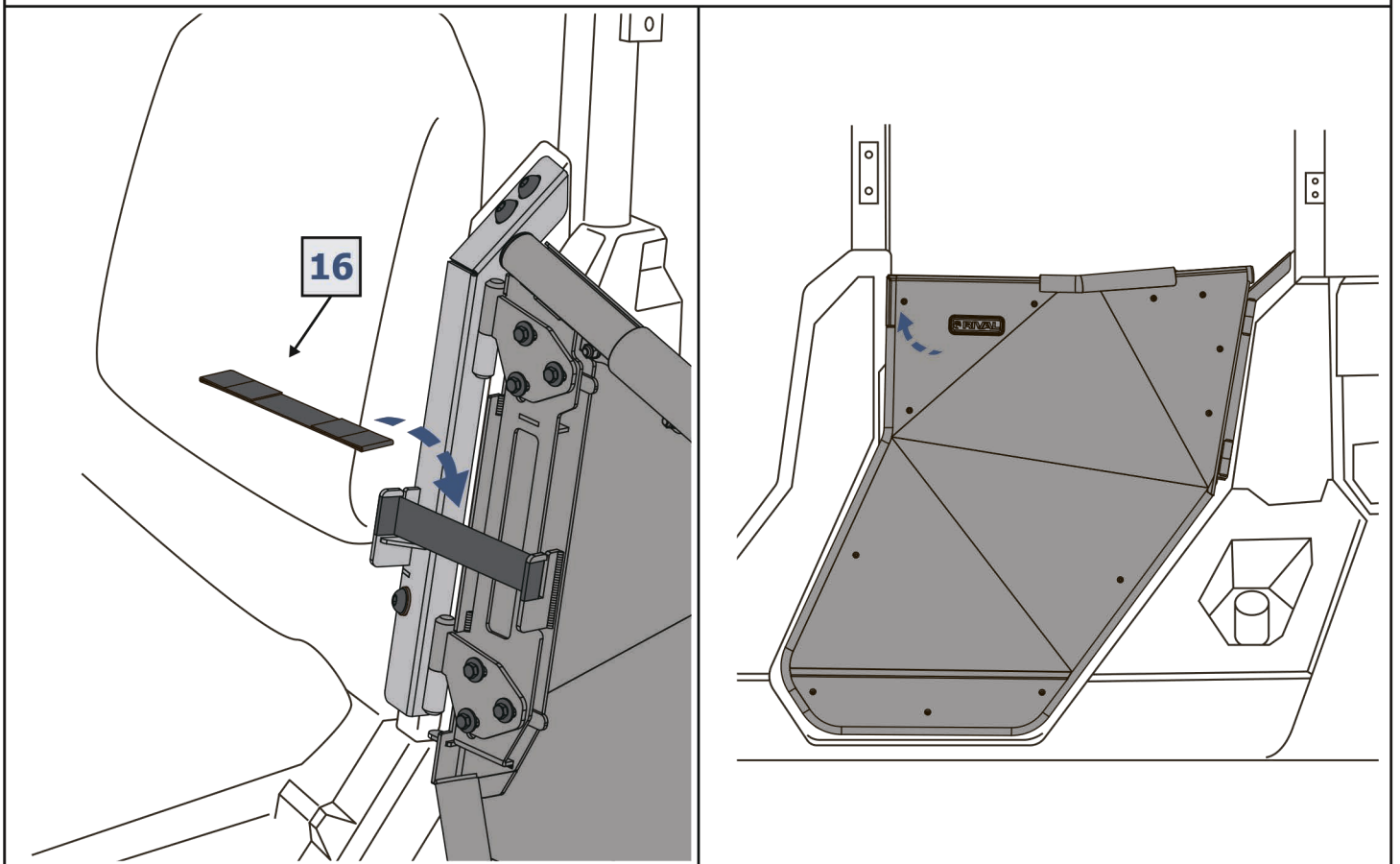
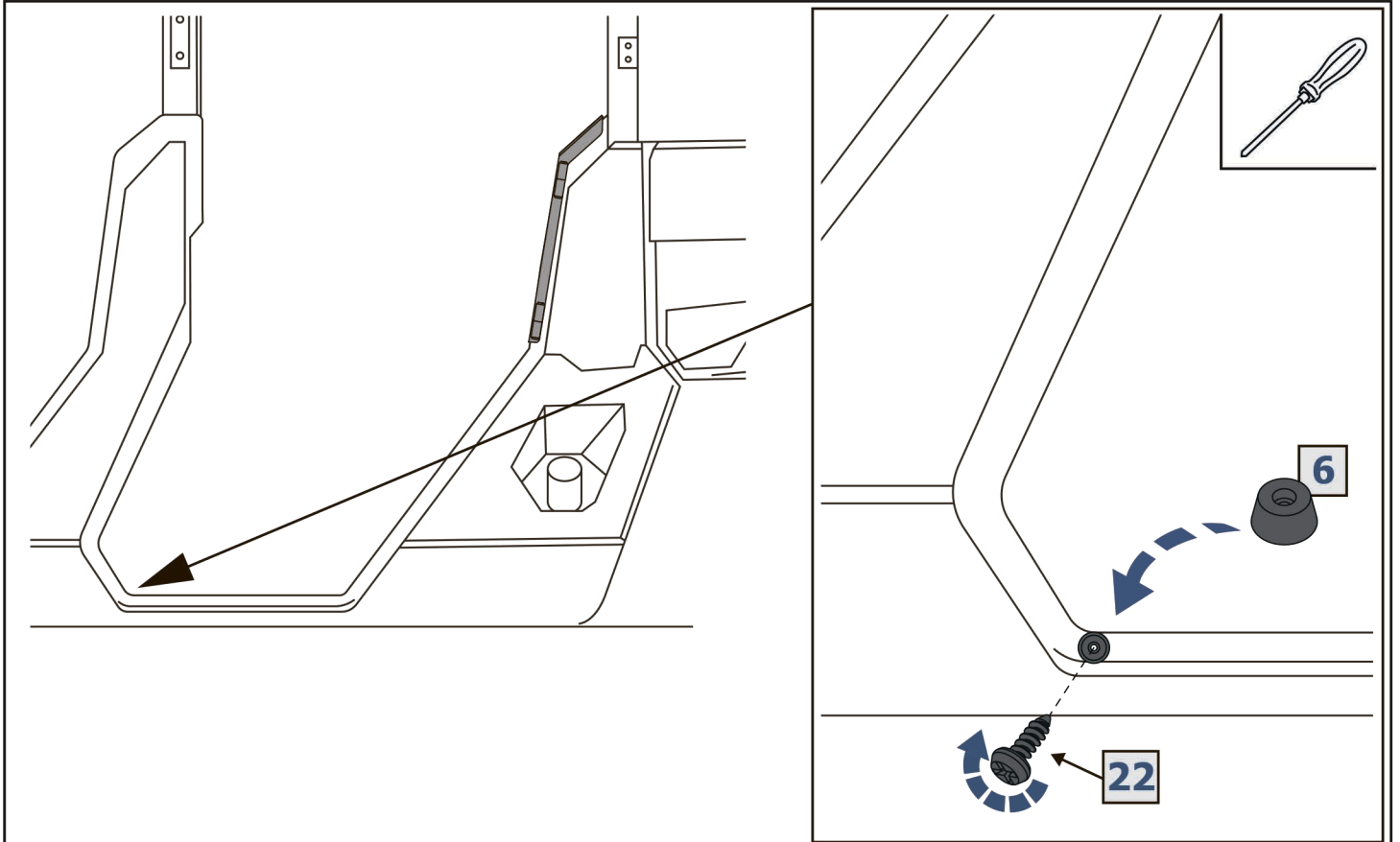




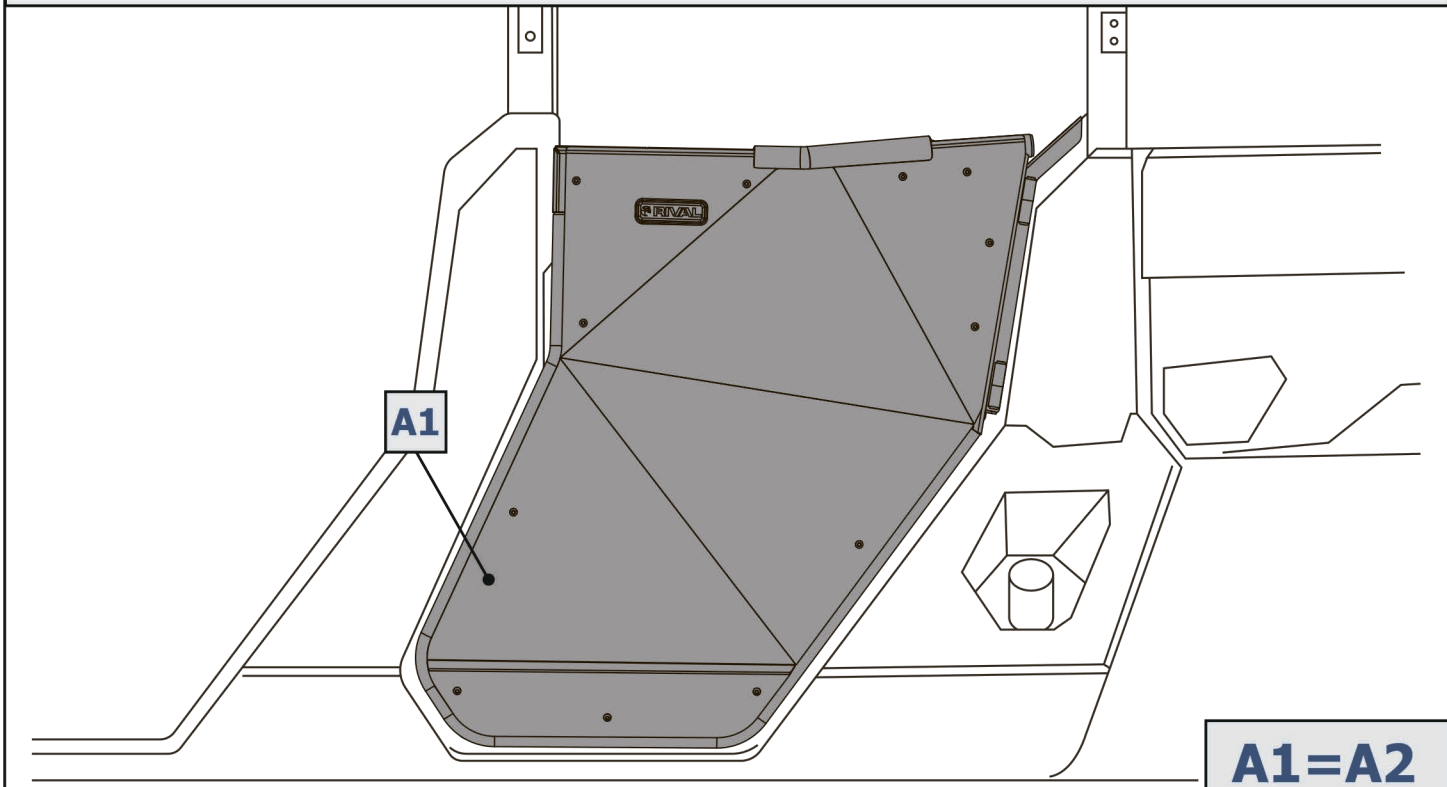
**A1=A2**



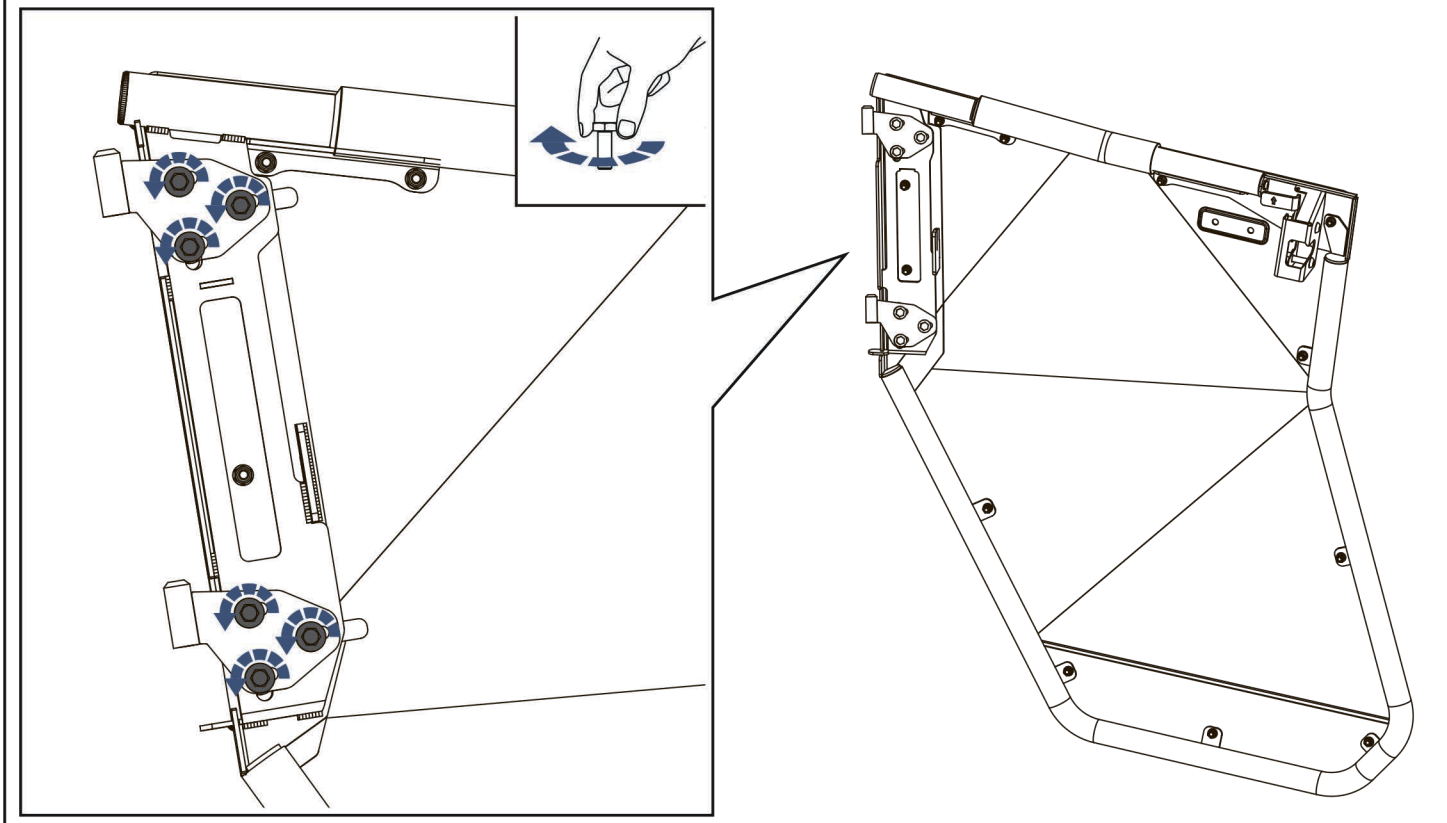


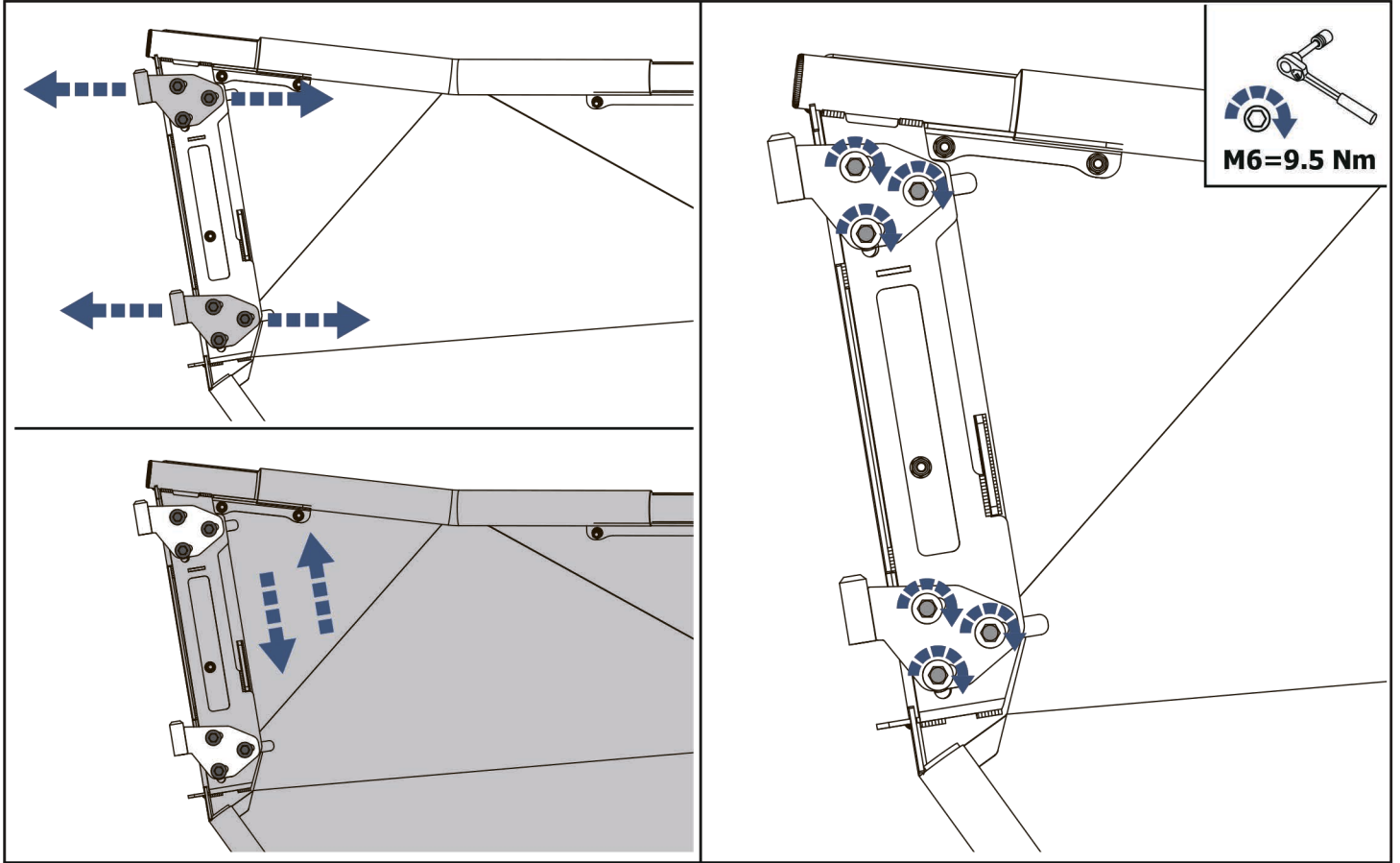


### DOOR POSITION ADJUSTMENT

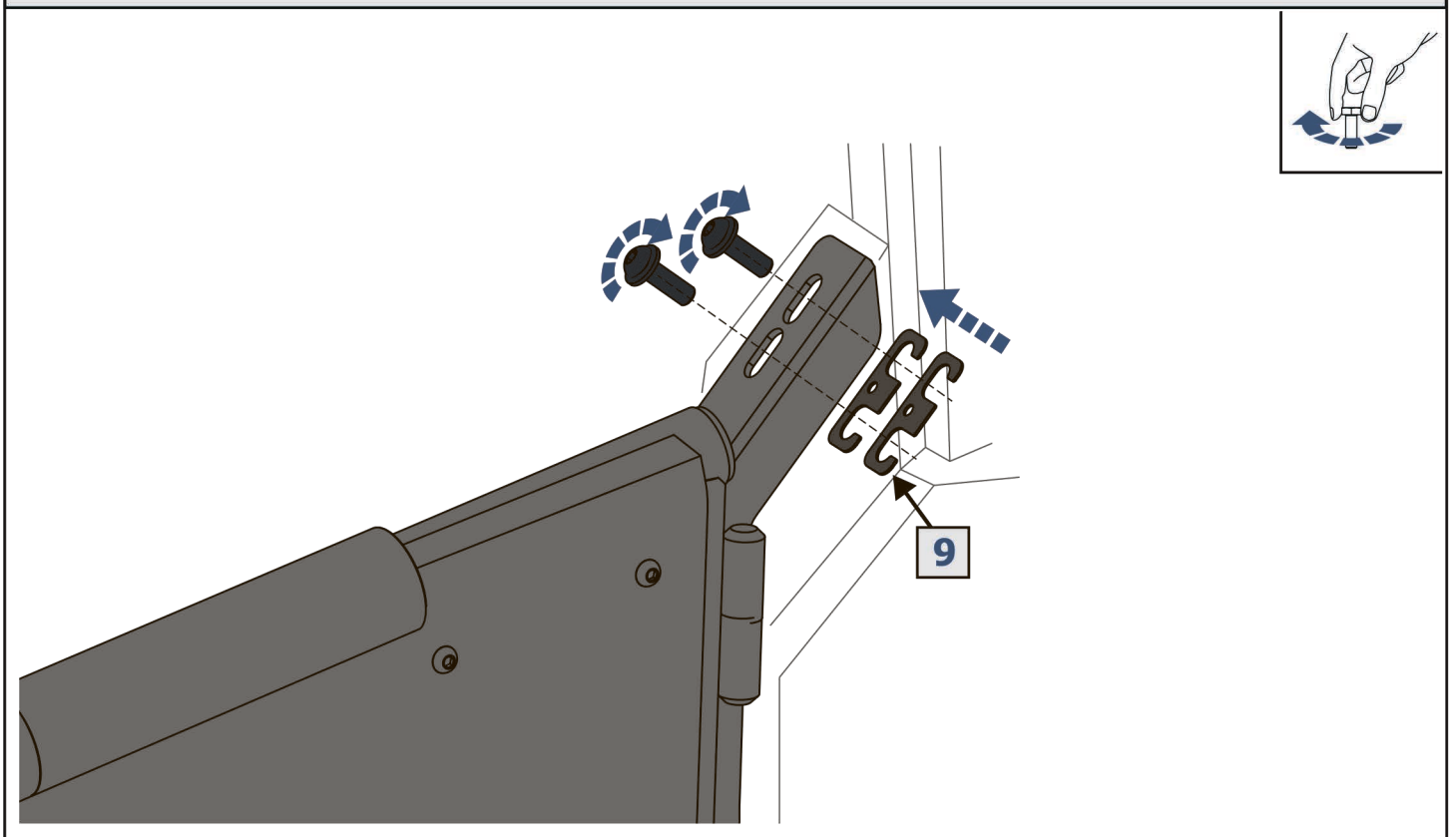


TIP: PERIODICALLY CHECK ALL HARDWARE AND RE-TIGHTEN IF NEEDED.

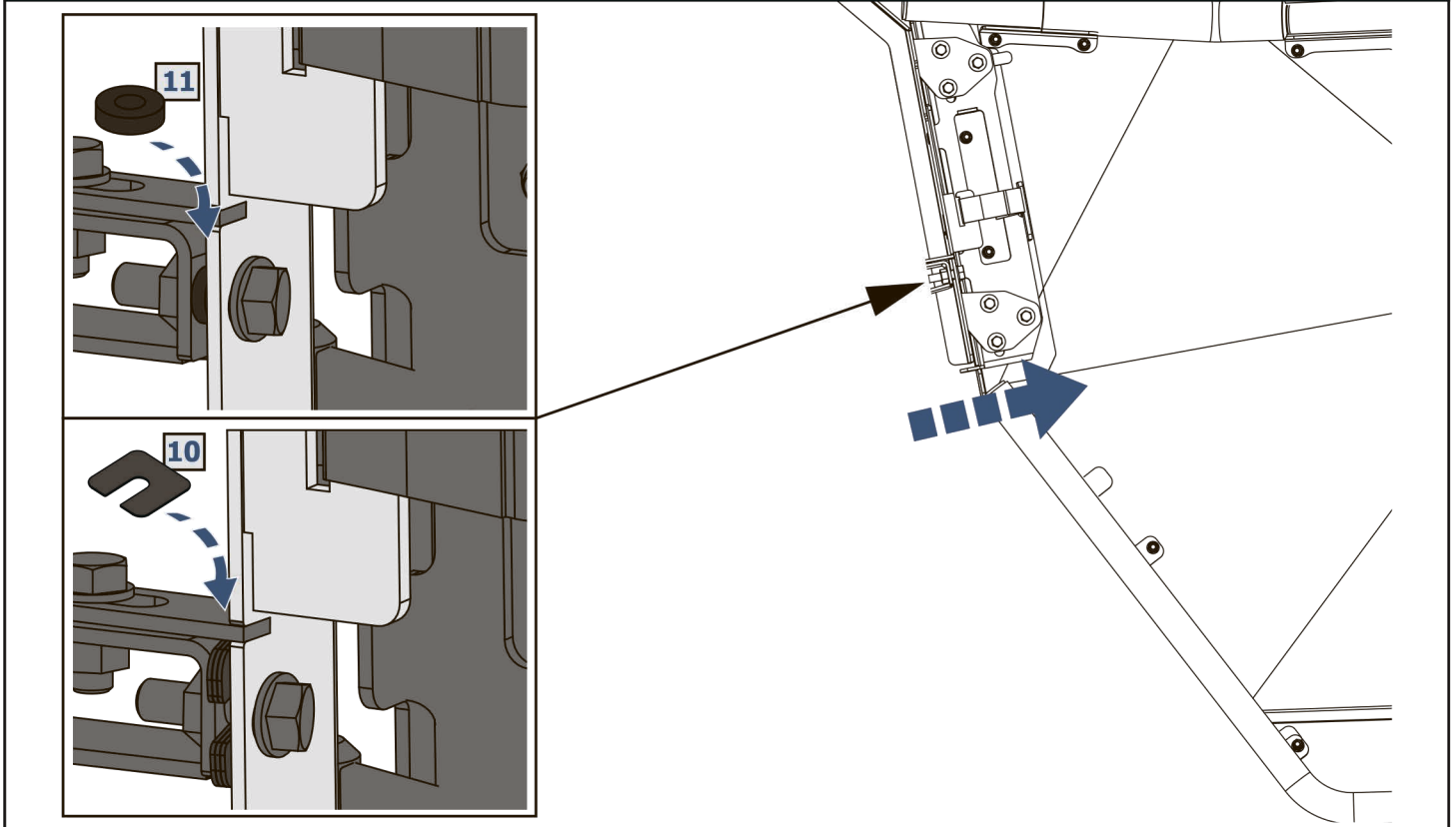




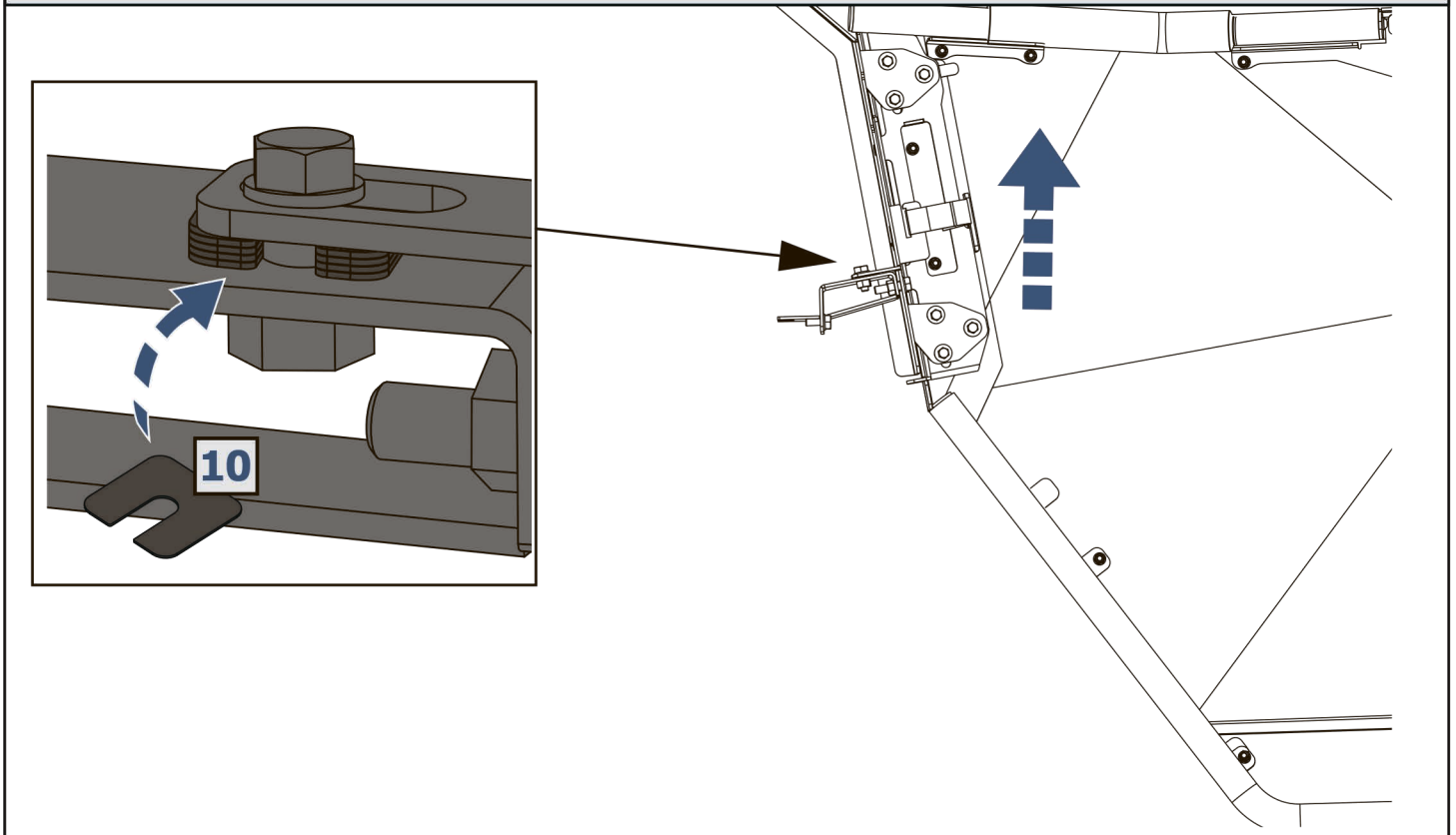
DOOR POSITION ADJUSTMENT - PACKER INSTALLATION AT BOTH LOCATIONS



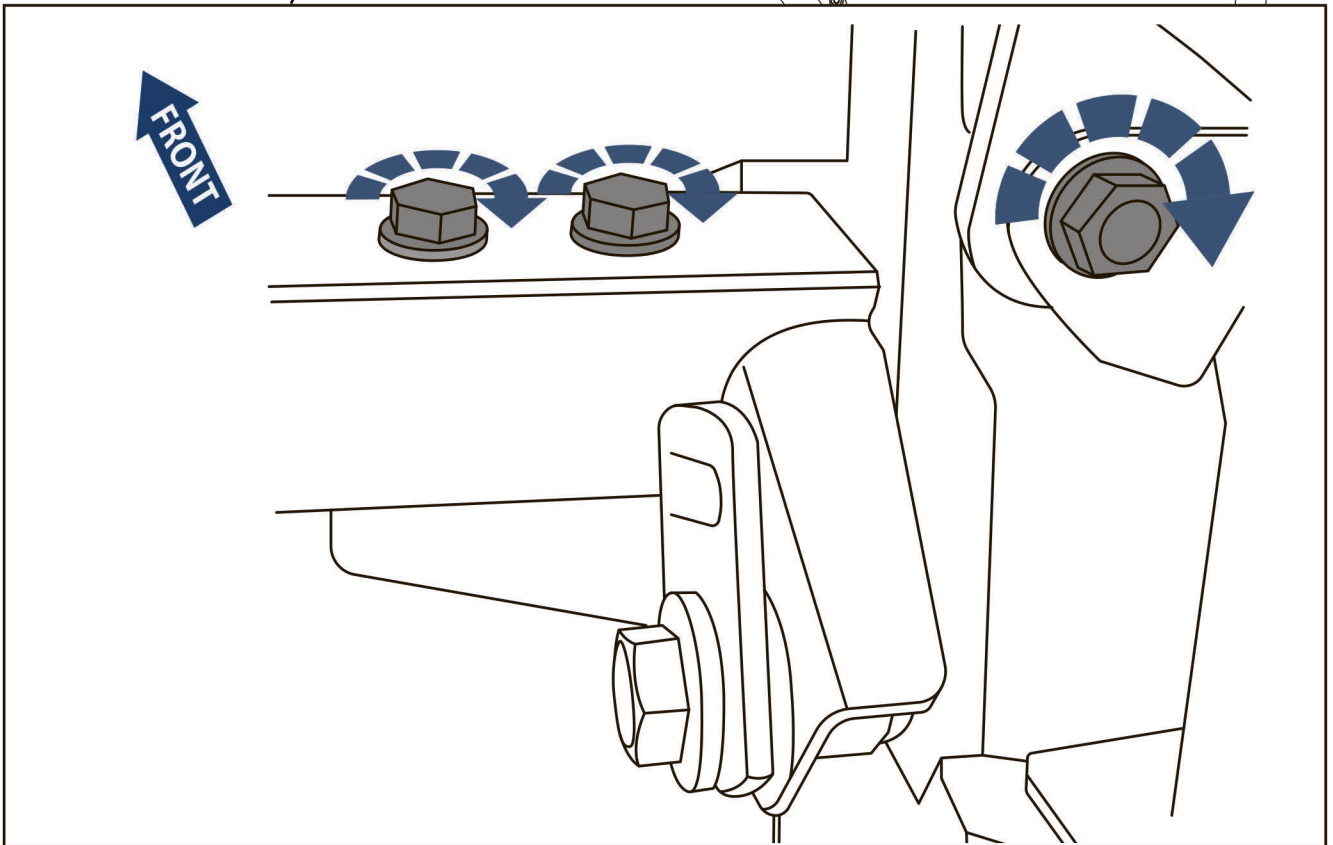
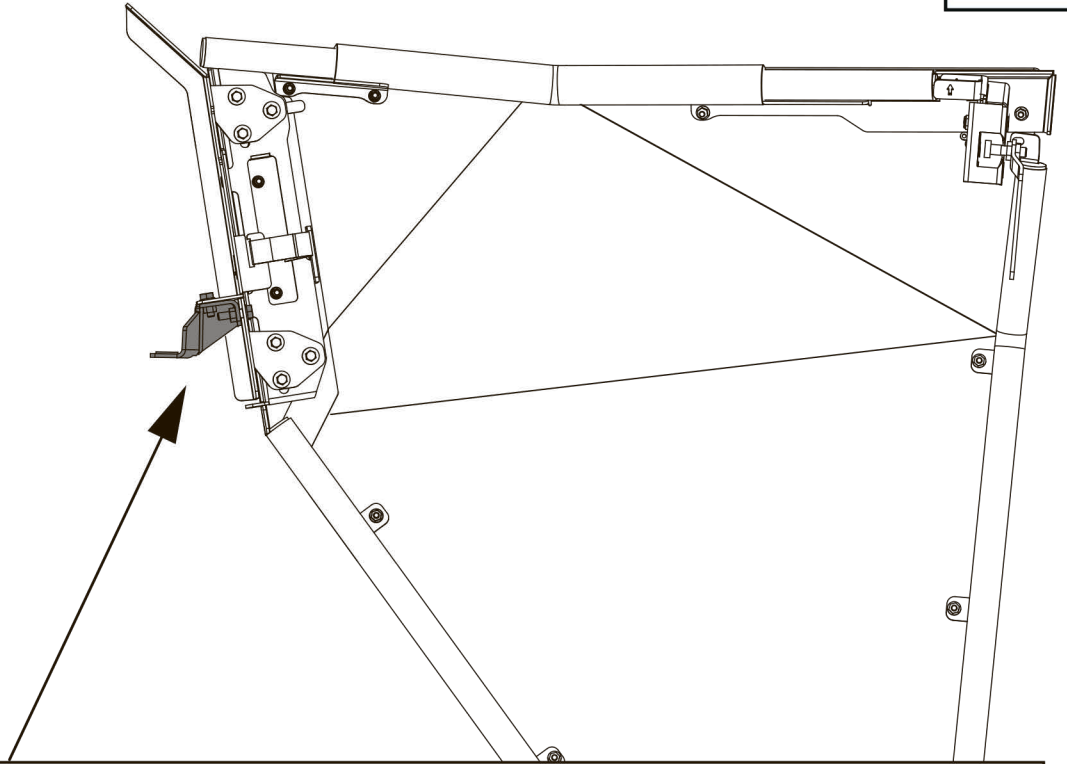
DOOR POSITION ADJUSTMENT - PACKER INSTALLATION AT BOTH LOCATIONS



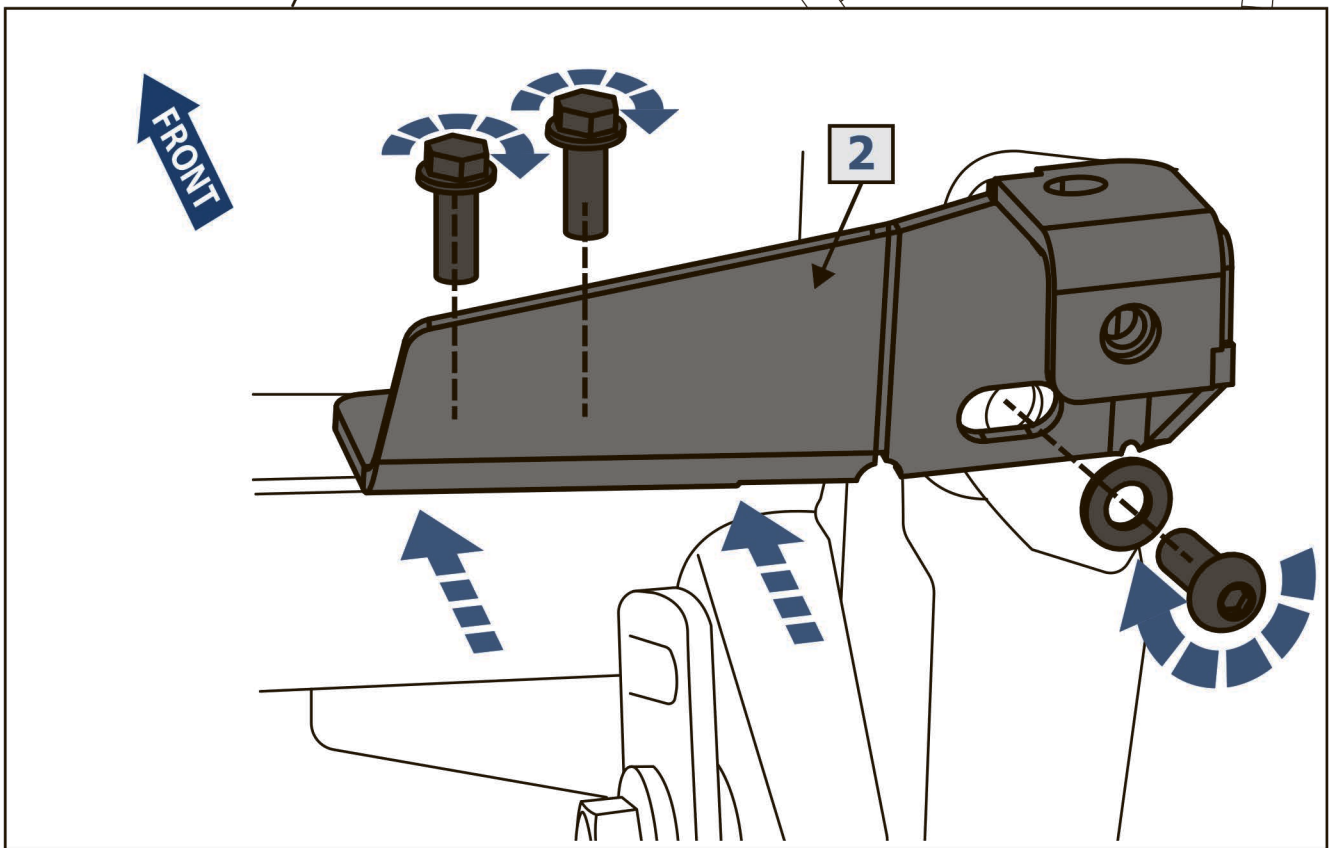
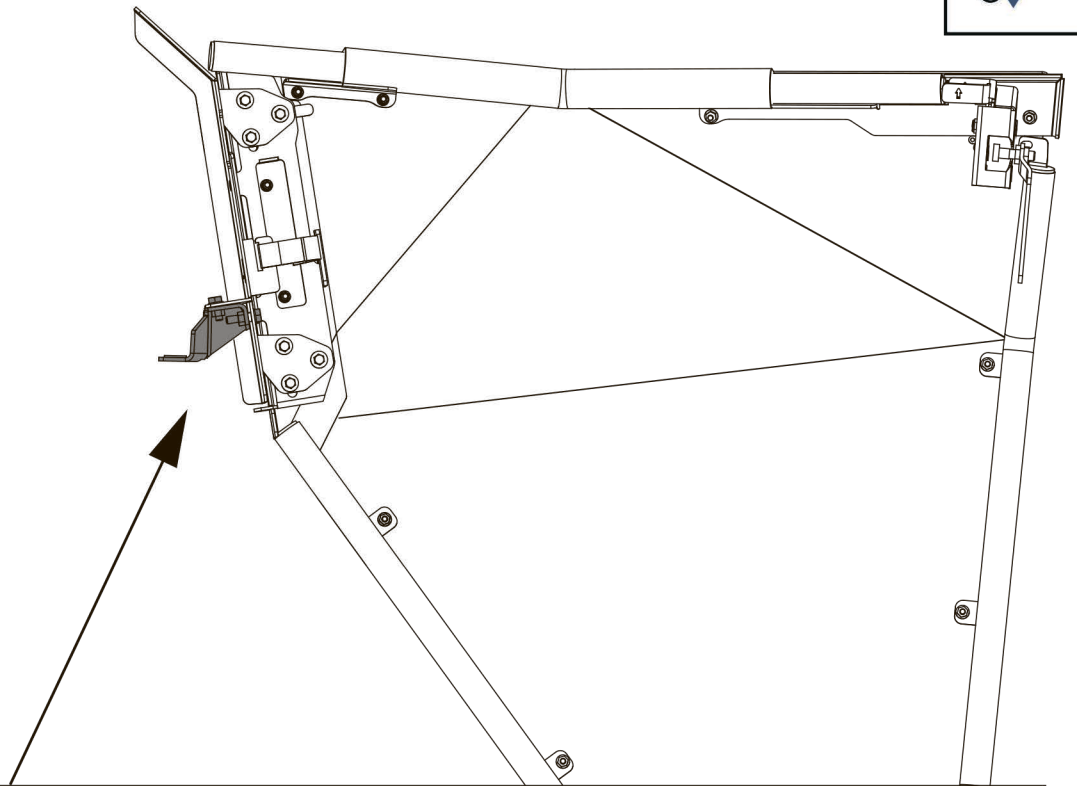
DOOR POSITION ADJUSTMENT - PACKER INSTALLATION AT BOTH LOCATIONS



**Front Door kit 2444.7455.1**



**Front Door kit 2444.7455.1**



**Front Door kit 2444.7455.1**

