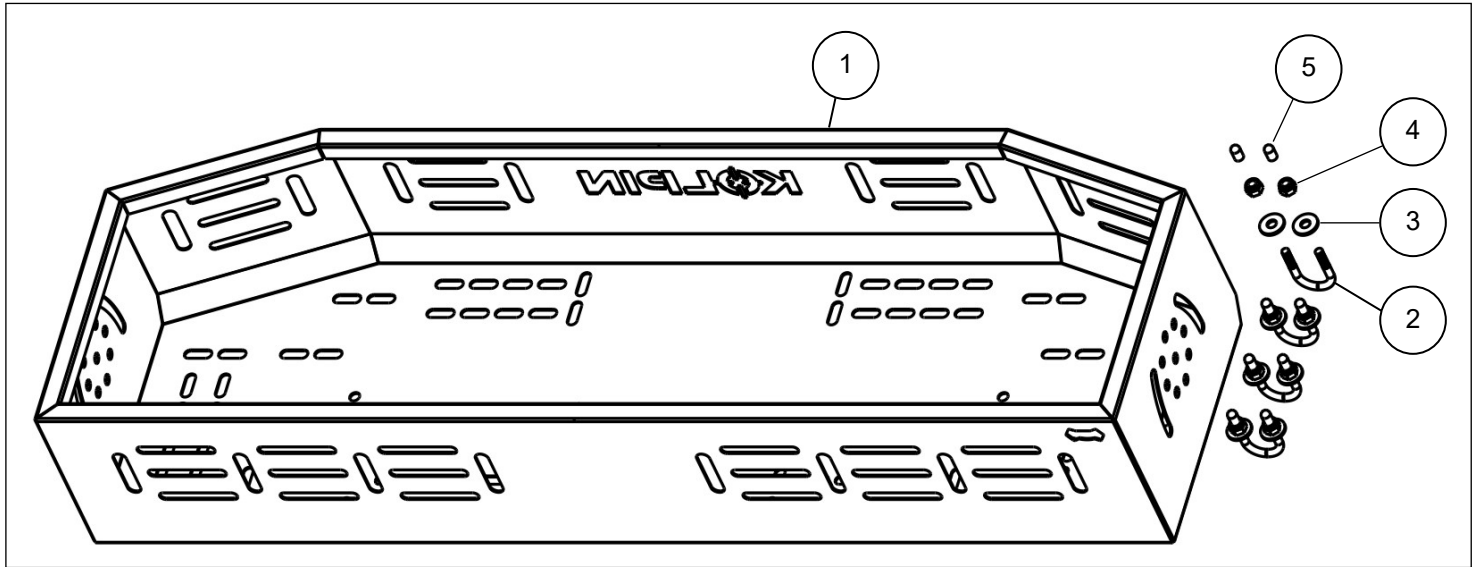


ATV RACK BASKET

Product Instructions | Part No: 53465

KIT CONTENTS



REF	QTY	PART DESCRIPTION	SPARE P/N
1	1	Basket	
2	4	U-Bolt M6 x 25mm x 45mm	K100465
3	8	Washer	
4	8	Nylon Locknut M6	
5	8	Rubber Thread Cap	

Spare Kit Notes:

- Spare Kits may contain extra hardware that is used for other mount kits. Extra hardware can be discarded.
- U-Bolts supplied in spare kit may longer than original and may need to be cut to size.

BEFORE YOU BEGIN

⚠ WARNING ⚠

TO AVOID SERIOUS INJURY OR DEATH:

- Read and follow the entire installation manual prior to installing or using the accessory, or operating a vehicle with the accessory mounted.
- This product is designed to transport only as much as your ATV recommends. Do not carry more than the ATV manufacturer recommends, as too much weight can result in loss of steering.
- Ensure all cargo is adequately secured. Failure to secure cargo may result in loss of vehicle control.
- Always verify ATV rack basket and cargo do not interfere with the vehicle's throttle, brake, kill switch, lights, steering and any other vehicle controls from full left lock to full right lock positions prior to starting the vehicle. Do not use if there is interference with your vehicle's controls.
- Always verify vehicle controls prior to operating vehicle with a Kolpin accessory. Product is designed to fit most vehicles, however Kolpin does not guarantee fitment for all vehicles. See www.kolpin.com for the latest vehicle fitment.
- Do not use if product is damaged.
- See www.kolpin.com for instructions, warnings, and fitment.

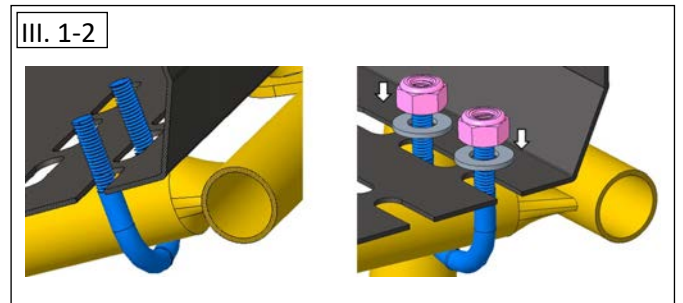
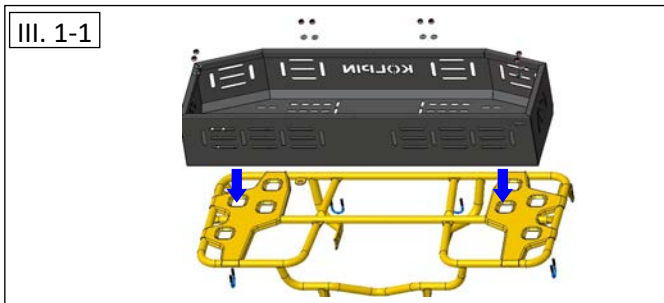
MOUNTING INSTRUCTIONS

Note

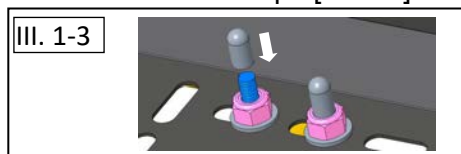
- For vehicle specific mounting instructions, please refer to instructions included with mounting hardware kits (sold separately). Visit www.kolpin.com for full list of available mounts and instruction manuals.
- Locate position on your ATV rack to mount the Basket. Identify the correct mounting holes of the Basket to attach to Racks, specific to your vehicle. Please refer to the Mounting Kits position below.
- Vehicle Specific Mounting Kits Below Sold Separately, Except the U-Bolts.

① Most ATVs with Tubular Metal Racks - Front or Rear

- Position the ATV Rack Basket onto the front or rear ATV metal tubing rack in the desired position. Use your best judgement determining where to locate the U-Bolts in order to provide a secure and stable installation. Its suggested to mount two of the U-Bolts onto rack tubing that runs front to back and the other two U-Bolts on rack tubing that runs side to side. See Illustration 1-1.
- Slide the U-Bolts [Item 2] under the OEM ATV Rack (around the tubing) and through the Rack Basket slots. Slide Washers [Item 3] and finger tighten both Nylon Lock Nuts [Item 4]. Repeat this step for the 3 remaining U-Bolts. See Illustration 1-2.



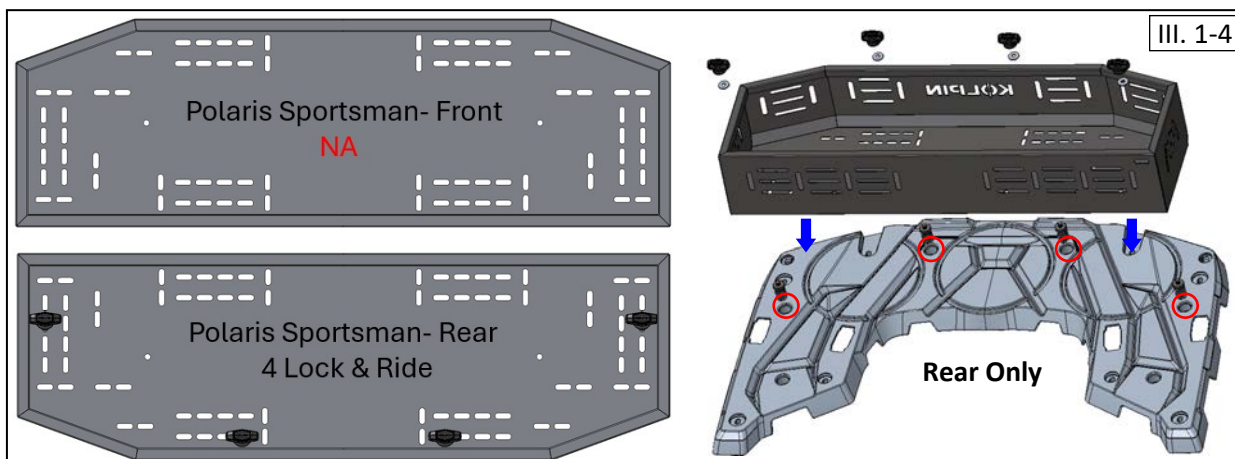
- Double check the positioning on the ATV. Now tighten each set of U-Bolts in a crosswise pattern. Do not overtighten. Now press the Rubber Thread Caps [Item 5] over the exposed U-Bolt threads. See Illustration 1-3.



- Inspect Product and Mounting Hardware before each ride to assure the product is mounted to the vehicle securely.

② Polaris Sportsman 450/570 - Rear Rack Only, 4 L&R Plunge Anchors

- Position the ATV Rack Basket onto the Polaris L&R Rear Rack in the desired position. Use your best judgement determining where to locate the L&R Plunge holes.
- Install it with 4 L&R Plunge Anchors (sold separately). See Illustration 1-4.



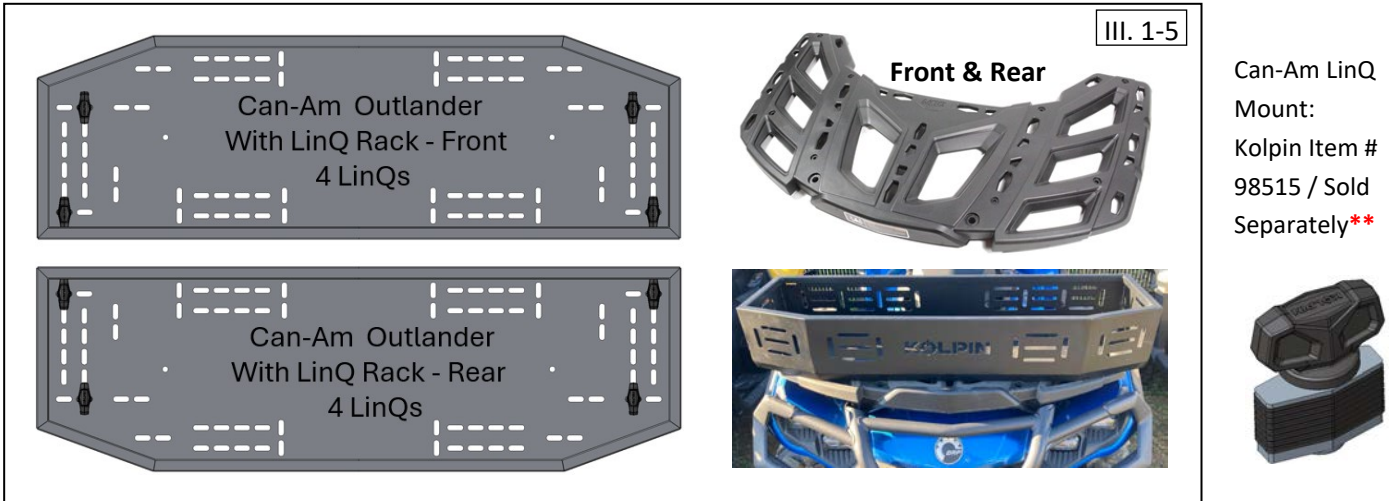
Polaris ATV L&R Plunge Anchor:
Kolpin Item # 98500 / Sold Separately**



MOUNTING INSTRUCTIONS - CONTINUED

③ Can-Am Outlander with LinQ Rack - 4 LinQs Mounts

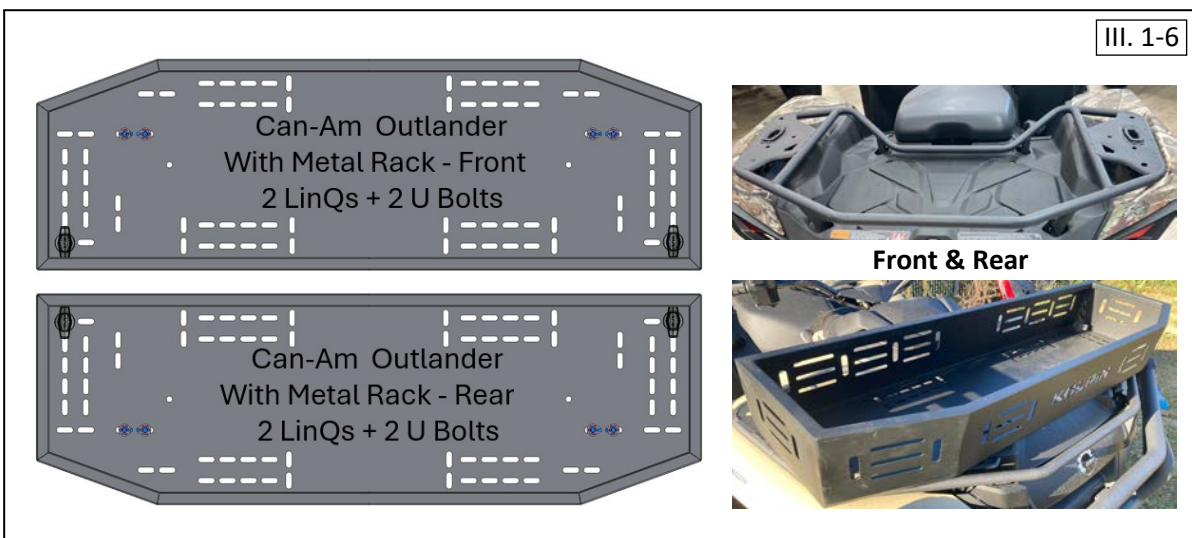
- Position the ATV Rack Basket onto the Can-Am LinQ Rack in the desired position. Use your best judgement determining where to locate the LinQ holes.
- Install the ATV Rack Basket with 4 LinQ Mounts (sold separately). See Illustration 1-5.



- Inspect Product and Mounting Hardware before each ride to assure the product is mounted to the vehicle securely.

④ Can-Am Outlander with Metal Rack - 2 LinQs Mounts + 2 U Bolts

- Position the ATV Rack Basket onto the Can-Am Metal Rack in the desired position. Use your best judgement determining where to locate the LinQ holes and the U-Bolts in order to provide a secure and stable installation.
- Install the ATV Rack Basket with 2 LinQ Mounts (sold separately) and 2 U-Bolts. See Illustration 1-6.



- Inspect Product and Mounting Hardware before each ride to assure the product is mounted to the vehicle securely.

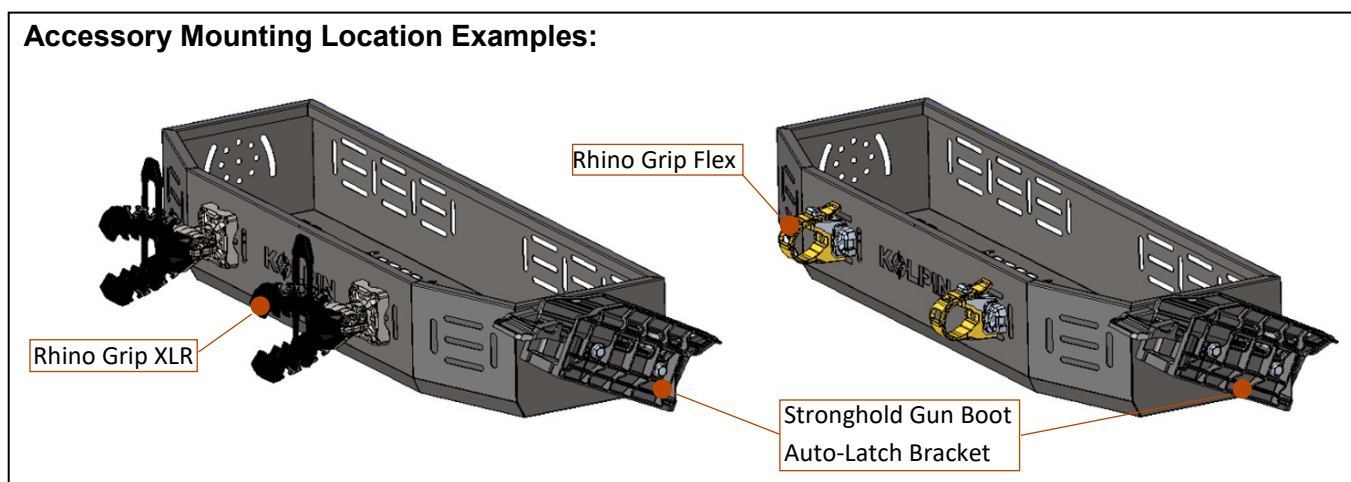
OPTIONAL ACCESSORY MOUNTING (SOLD SEPARATELY):

The modular hole pattern on the sides of the Basket and Mounting Brackets are compatible with a variety of Kolpin accessories.

Compatible Kolpin Accessories:

Product	Part Numbers
Polaris Sportsman Lock & Ride Compatible Anchors	98500
CAN-AM Mount	98515
CAN-AM Mounting Kit	53503
Rhino Grip Pro	21560
Rhino Grip XLR	21550, 21551
Rhino Grip XL	21510, 21515, 21535
Rhino Grip Ratcheting	21540
Rhino Grip Flex	21570, 21571
Stronghold Gun Boot Auto-Latch Bracket	30816

Accessory Mounting Location Examples:



USE AND CARE INFORMATION:

- Check the accessory mounts frequently and retighten if necessary.
- When this accessory becomes dirty, rinse thoroughly with cool water to remove loose dirt, then wipe with a clean cloth or sponge.
- Never use petroleum solvents such as gasoline, thinner, benzene, acid or alkaline cleaners.
- For additional assistance, please contact Kolpin customer service department at (877) 956-5746 or (763) 478-5800 or email customerservice@kolpin.com

ONE YEAR LIMITED WARRANTY

For the period of one (1) year from the purchase date, Kolpin will replace for the original purchaser, free of charge, any part or parts found upon examination by Kolpin to be defective in material, workmanship, or both.

All transportation costs incurred submitting product to Kolpin for warranty consideration must be borne by the purchaser. If Kolpin determines that the product must be returned to the factory for credit, please call 1-877-956-5746 for a Return Merchandise Authorization (RMA) number and shipping instructions.

This warranty does not apply to parts that have been damaged by accident, alteration, abuse, improper maintenance, normal wear, or other causes beyond the manufacturer's control. In order to protect you and your ATV, certain parts of the accessory system and/or hardware are designed to fail when the equipment is over-stressed. Parts that are lost due to loosening and improper maintenance are not covered under warranty. This warranty does not cover removal or reinstallation labor fees of the accessory system and related components. Most hardware is general in nature and is easily obtained locally. Be sure to replace with minimum metric class 8.8 specification.