

Honda Rubicon / Foreman / Rancher Straight Rear Axle 2" Receiver Hitch



Product Instructions | Part No: 85135

Application: Honda Rancher / Foreman / Rubicon with straight rear axle, verify fitment at Kolpin.com.

Before You Begin: Read these instructions and check to be sure all parts and tools are accounted for. Please retain these installation instructions for future reference and parts ordering information.

Note: If any hardware is missing, do not return to the store. Call us to help, Toll Free 1-877-956-5746.

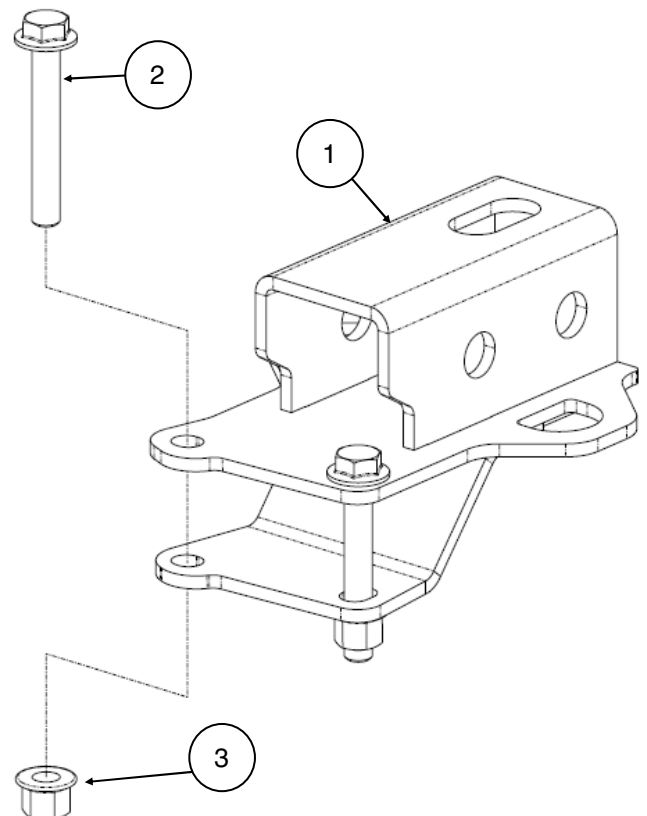
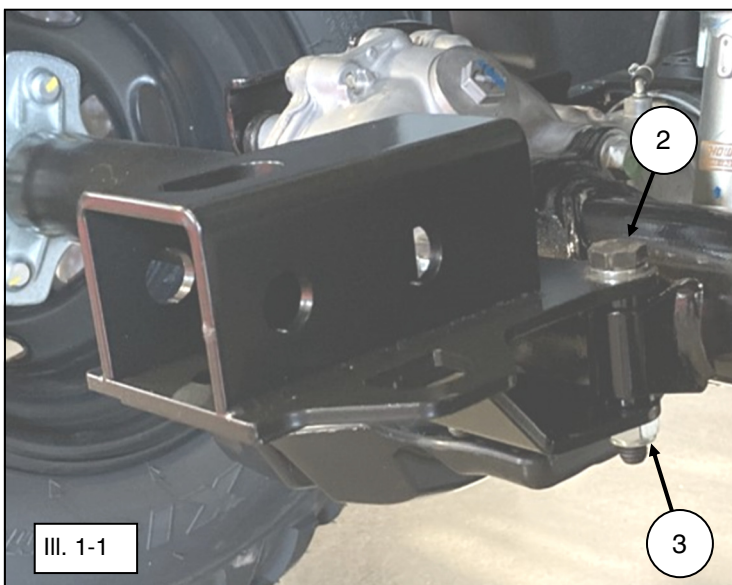
Tools Required: • Metric Wrench Set • Metric Socket Set • Torque Wrench

Assembly Time: Approximately 15 minutes

Important: Your 2" Receiver Hitch is exclusively designed for your vehicle. Please read the installation instructions thoroughly before beginning. Installation is easier if the vehicle is clean and free of debris. For your safety, and to ensure a satisfactory installation, perform all installation steps correctly in the sequence shown.

This Kit includes:

Item	Qty	Part Description
1	1	Hitch Weldment
2	2	Hex Flange Bolt, Zinc Plated, M10-1.5 x 70mm LG
3	2	Hex Flange Locknut, Zinc Plated, M10-1.5
4	1	Instruction Sheet (Not shown)

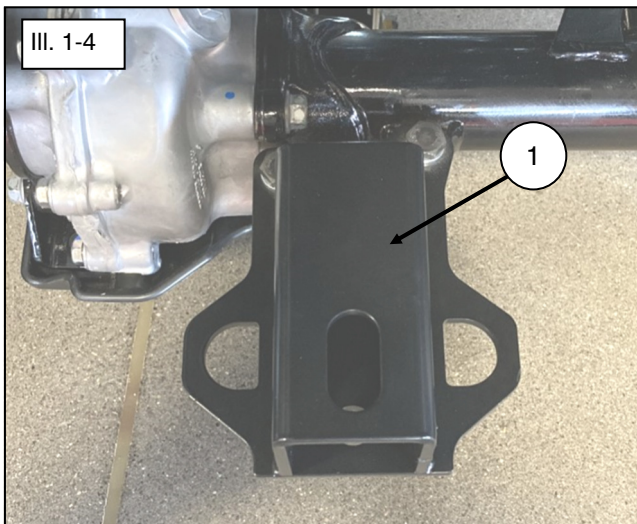
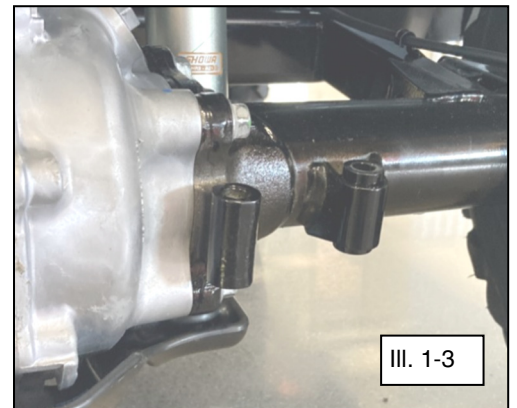
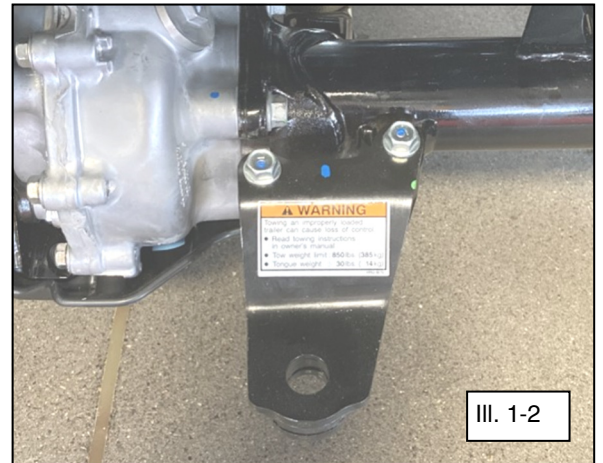
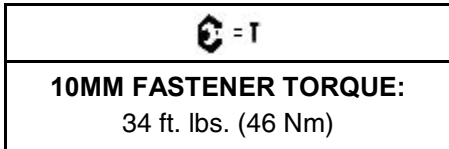


Kolpin Outdoors, Inc. | 9955 59th Ave N | Plymouth, MN 55442

(877) 956-5746 or (763) 478-5800 | www.kolpin.com | customerservice@kolpin.com

Installation Instructions:

1. If equipped, remove OEM ball hitch from vehicle. Factory hardware will not be reinstalled. (See illustration 1-2).
2. Slide hitch (item #1) onto the rear frame hitch mounting holes. (See illustration 1-3). **Note, installation may be easier if certain items are removed from vehicle first.**
3. Install bolt (item #2) thru top holes as shown. (See illustration 1-1).
4. From bottom, loosely fasten with locknut (item #3). (See illustration 1-1).
5. Tighten all hardware to specification.



Use and Care Information:

- Check the accessory mounts frequently and retighten hardware if necessary.
- Replace this accessory with a new one if it is damaged.
- Kolpin hitches are not intended for on-road use.

For additional assistance, please contact Kolpin customer service department at (877) 956-5746 or (763) 478-5800 or email customerservice@kolpin.com

One Year Limited Warranty

For the period of one (1) year from the purchase date, Kolpin will replace for the original purchaser, free of charge, any part or parts found upon examination by Kolpin to be defective in material, workmanship, or both.

All transportation costs incurred submitting product to Kolpin for warranty consideration must be borne by the purchaser. If Kolpin determines that the product must be returned to the factory for credit, please call 1-877-956-5746 for a Return Merchandise Authorization (RMA) number and shipping instructions.

This warranty does not apply to parts that have been damaged by accident, alteration, abuse, improper maintenance, normal wear, or other causes beyond the manufacturer's control. In order to protect you and your ATV, certain parts of the accessory system and/or hardware are designed to fail when the equipment is over-stressed. Parts that are lost due to loosening and improper maintenance are not covered under warranty. This warranty does not cover removal or reinstallation labor fees of the plow system and related components.

Peripheral products such as engines, electric motors, and actuators may carry an original manufacturer's warranty. Most hardware is general in nature and is easily obtained locally. Be sure to replace with minimum metric class 8.8 specification.