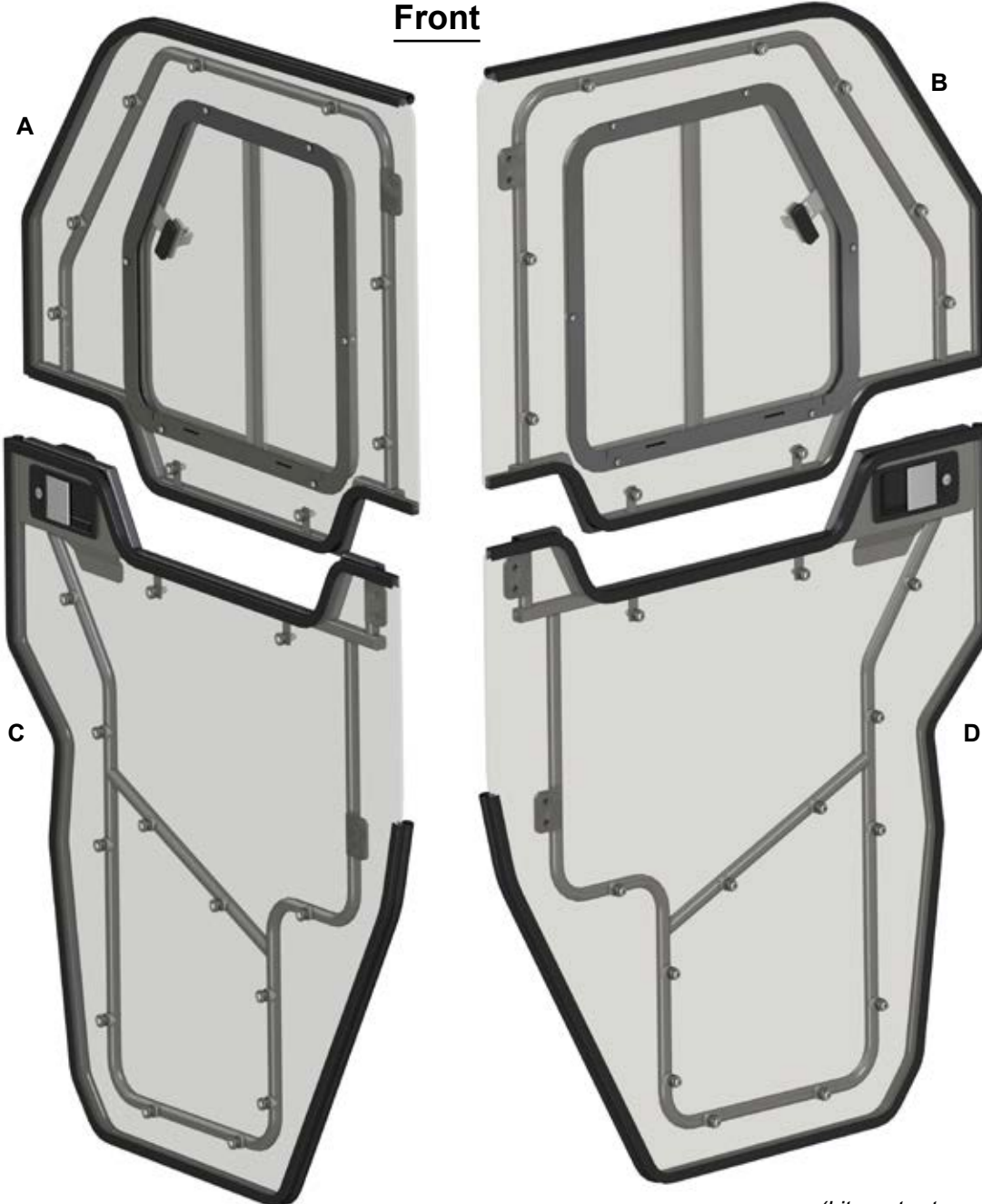


INSTALLATION INSTRUCTIONS
Full Doors: for Can-Am Defender MAX

- Make sure door handles are unlocked before installing.
- Do not discard packaging until product has been successfully installed.
- This item is not returnable if the protective film has been removed.
- Test fit to the cage to confirm fitment before removing film.

Item	Description
A	Upper - D
B	Upper - P
C	Lower - D
D	Lower - P

Front



(kit contents continue on following pages)

Need help with your installation?

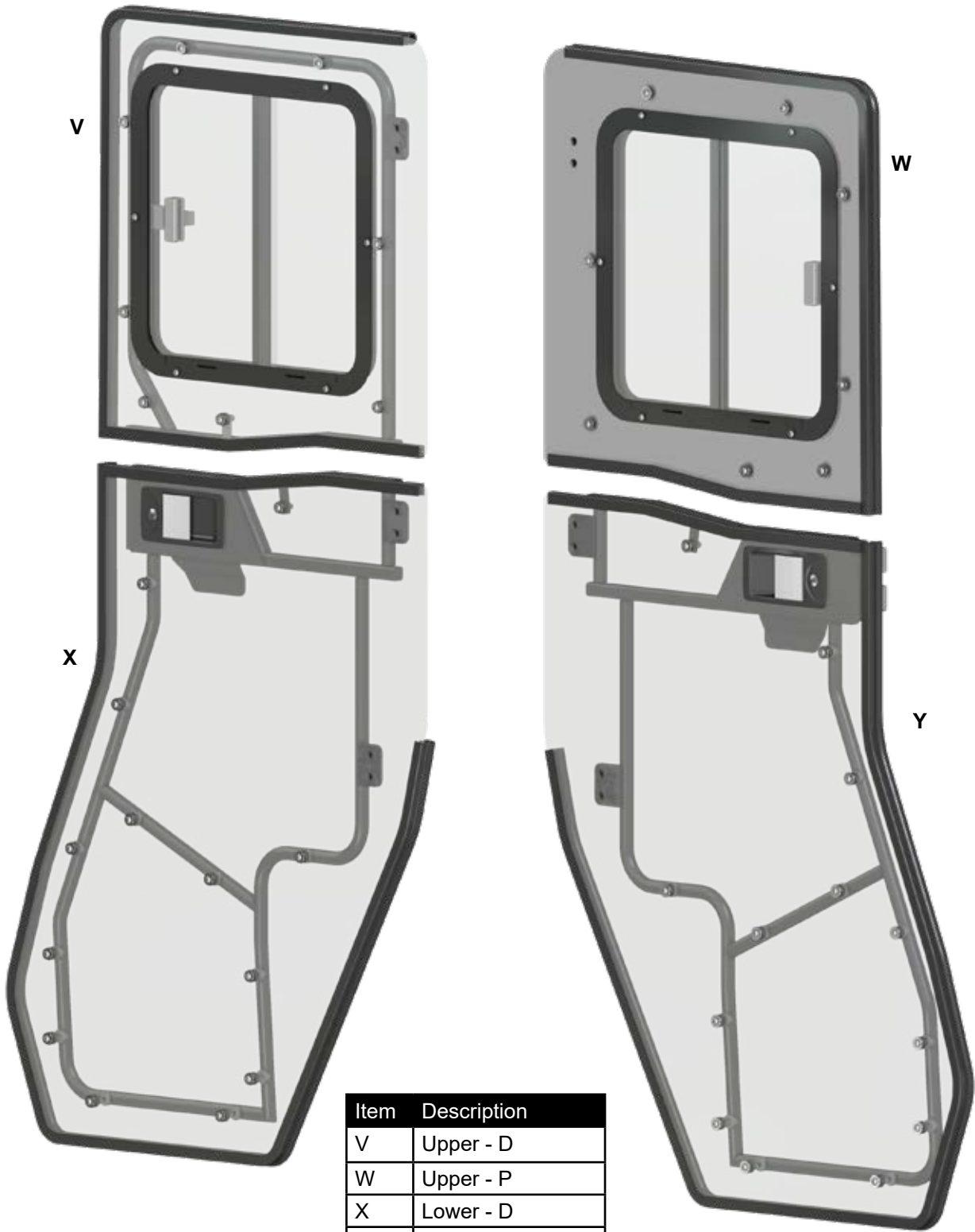
 sales@superatv.com
  www.superatv.com

 1-855-743-3427
  8:00am - 8:00pm EST M-Th
 8:00am - 7:00pm EST Friday
 9:00am - 2:00pm EST Saturday

Read instructions and view illustrations before beginning.

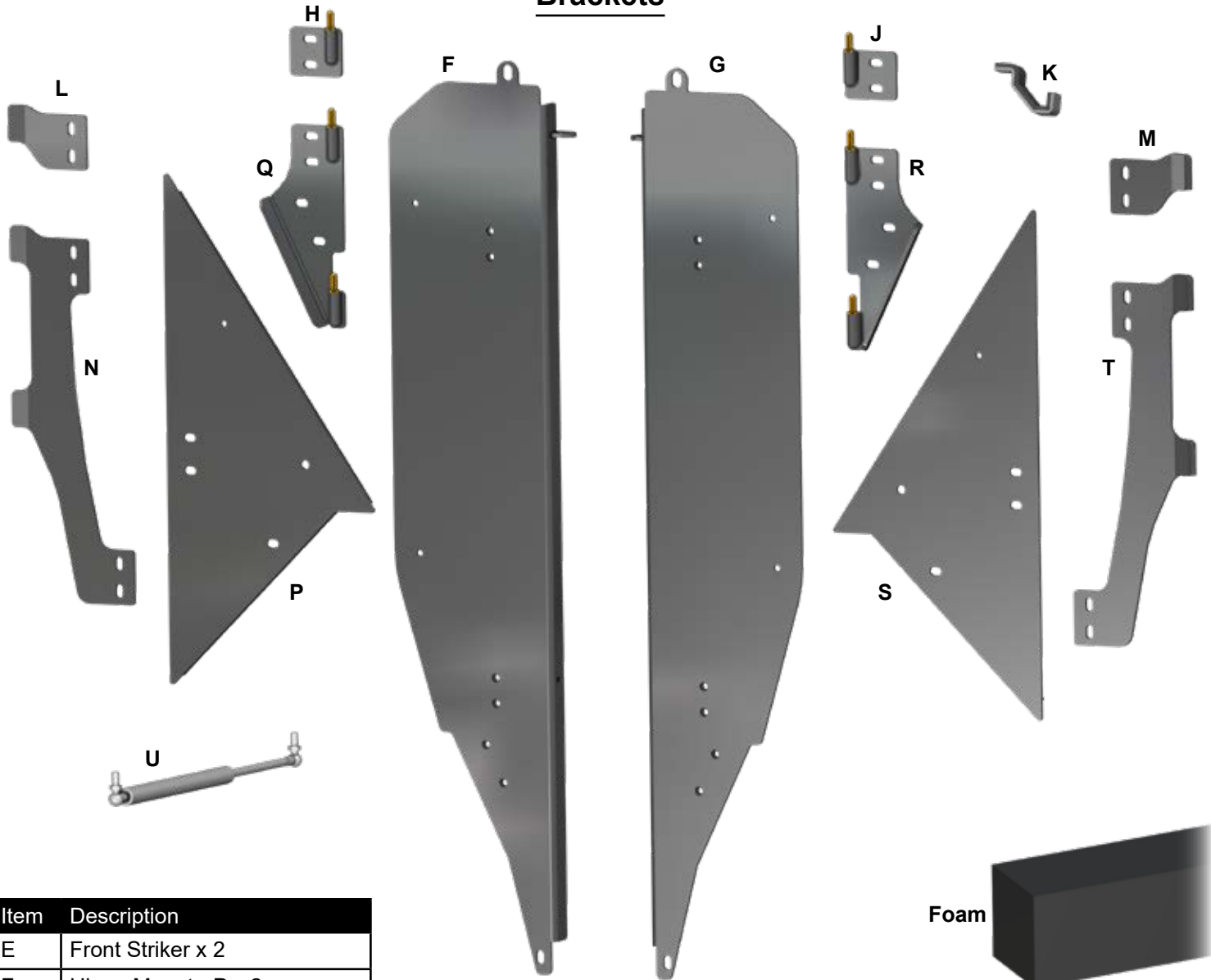
Thank You
 For Choosing
SUPERATV.COM[®]

Rear

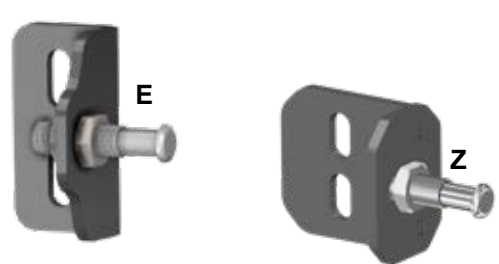
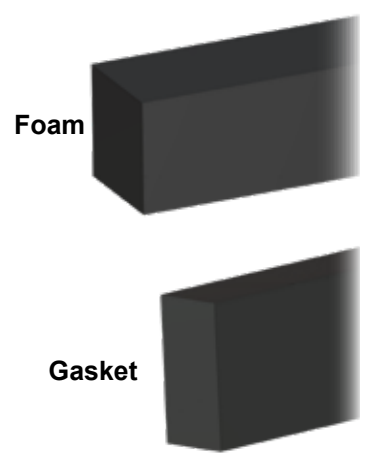


Item	Description
V	Upper - D
W	Upper - P
X	Lower - D
Y	Lower - P

Brackets



Item	Description
E	Front Striker x 2
F	Hinge Mount - P x 2
G	Hinge Mount - D x 2
H	Upper Hinge - P x 2
J	Upper Hinge - D x 2
K	Clamp x 10
L	Upper Hinge Bracket - P x 2
M	Upper Hinge Bracket - D x 2
N	Lower Hinge Bracket - P x 2
P	Pillar Bracket - P x 2
Q	Lower Hinge - P x 2
R	Lower Hinge - D x 2
S	Pillar Bracket - D x 2
T	Lower Hinge Bracket - D x 2
U	Strut x 4
Z	Rear Striker x 2





KEYS ARE LOCATED UNDER ORANGE TAPE. DO NOT DISCARD.



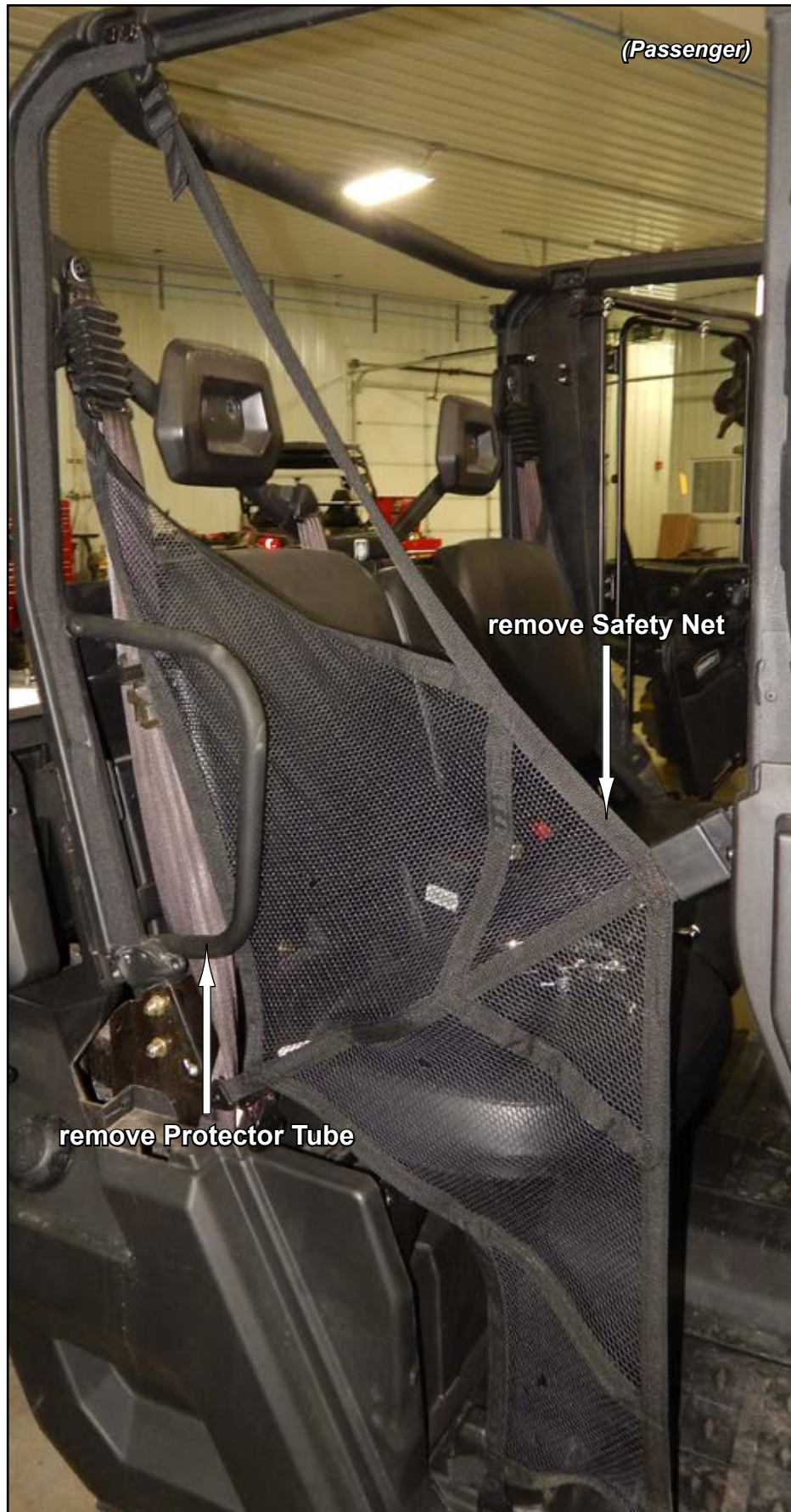
Door Cleaning:

- Do not use Rain-X®, Plexus® or any other protector, wax, or polish.
 - Do not use window cleaning fluids (Windex, 409, etc) or any solvents (gasoline, denatured alcohol, acetone, etc).
 - Never use abrasive cleaners, abrasive pads, or gritty cloths.
 - Never use razor blades, scrapers, squeegees, brushes, etc.
1. Thoroughly rinse Doors to float off dirt and mud.
 2. Using a soft cloth, or microfiber cloth, clean Doors with warm water and a gentle detergent. Baby shampoo, rubbing alcohol, or hand washing soap can also be used.
 3. To prevent water spots, use a chamois to blot Doors dry.

Front Removal: keep all components removed from machine.



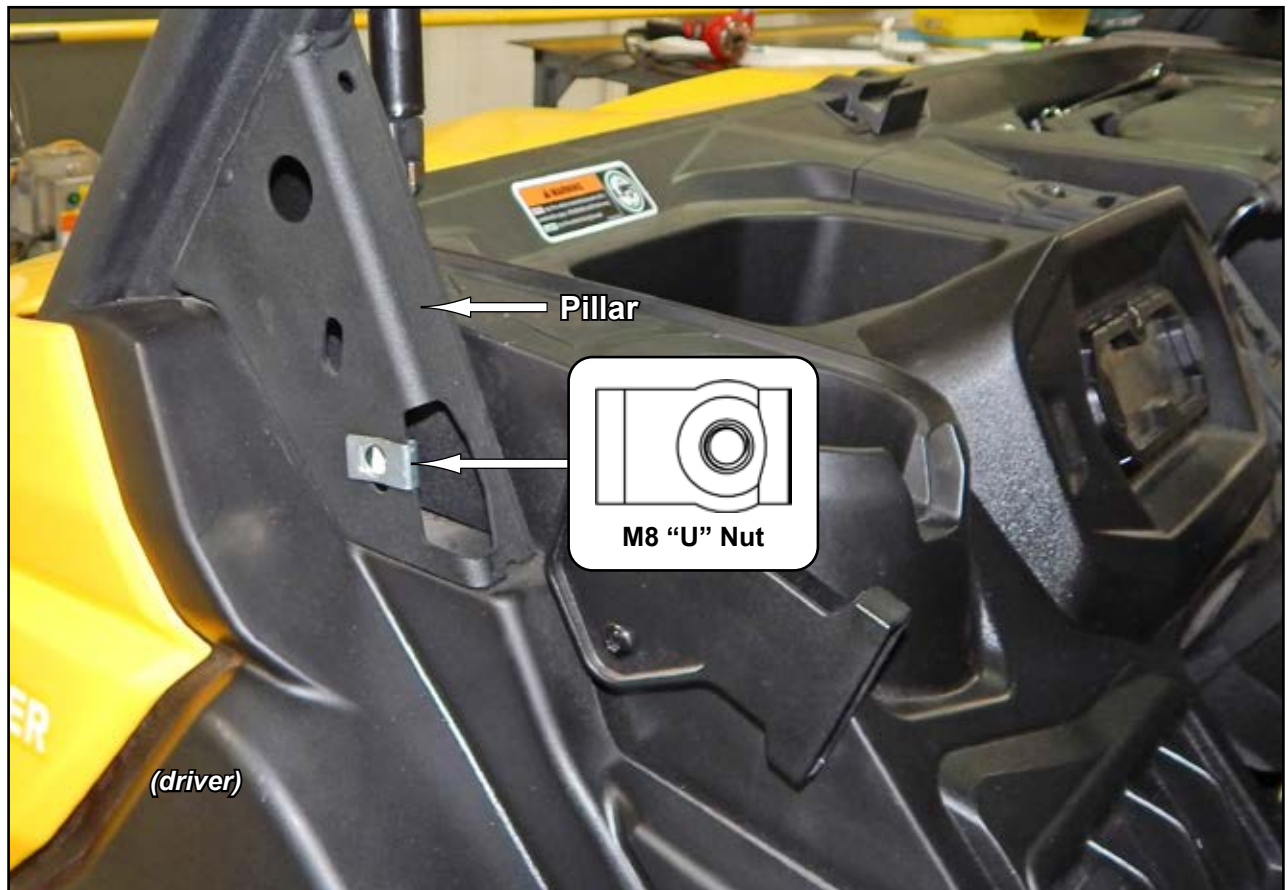
Rear Removal: keep all components removed from machine.



- Repeat for opposite side.

IN-DOOR-CA-DEF4

- Install provided "U" Nut to Pillar.



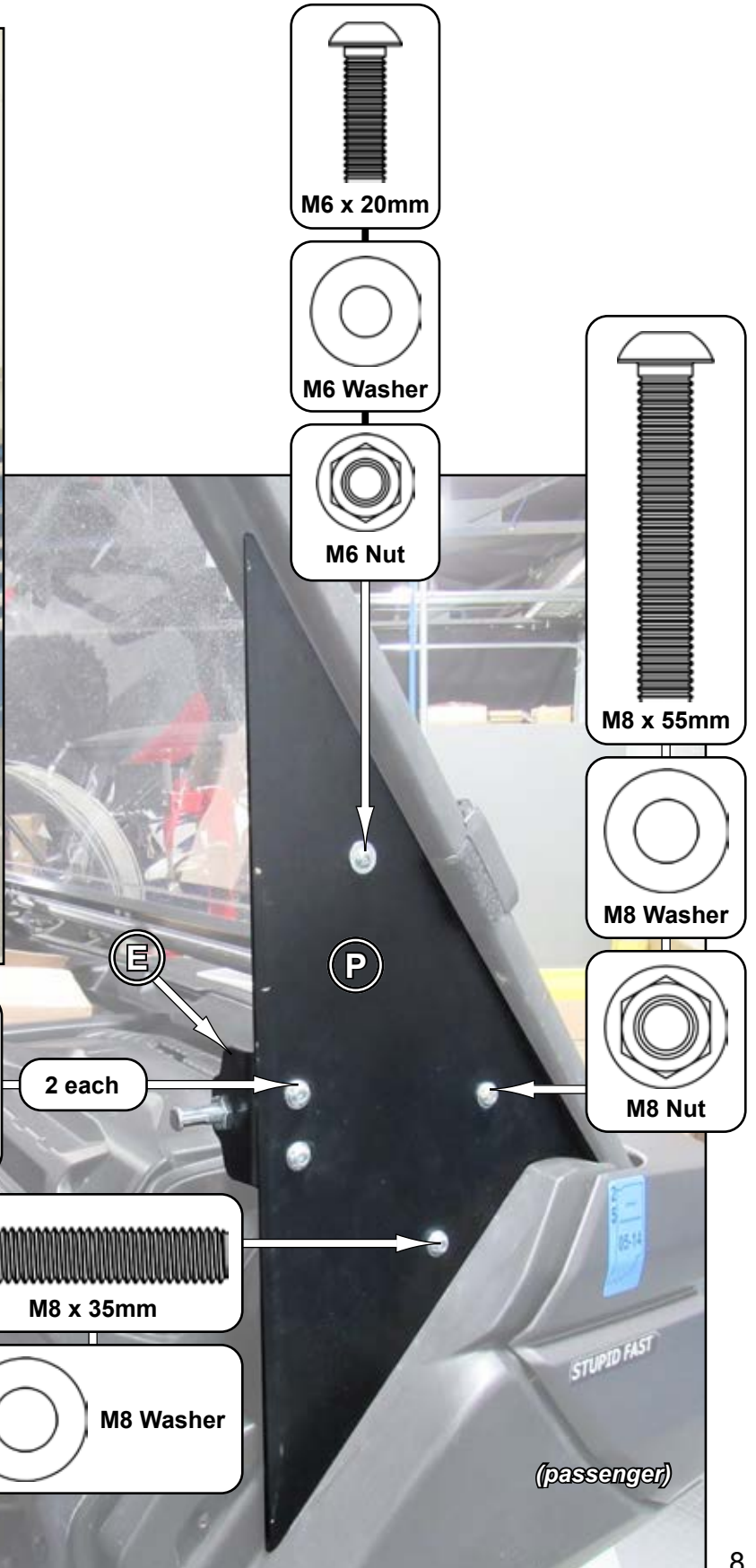
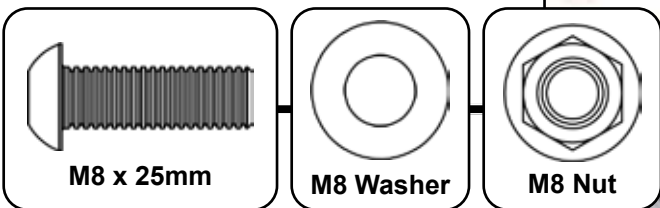
- Repeat for opposite side.

- Install Gasket to Hinge Mounts as shown. Set aside.

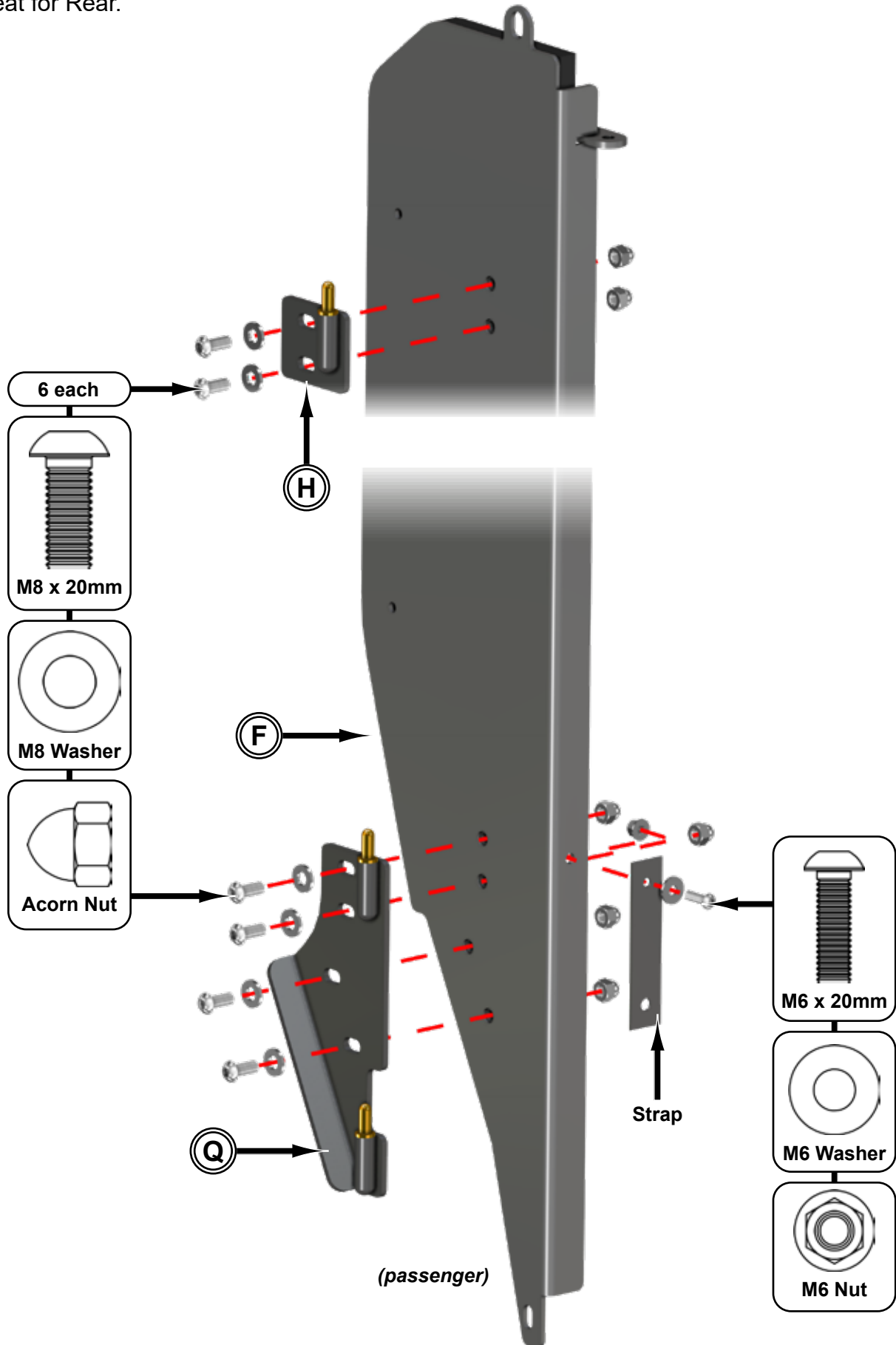


Do not tighten any hardware unless noted.

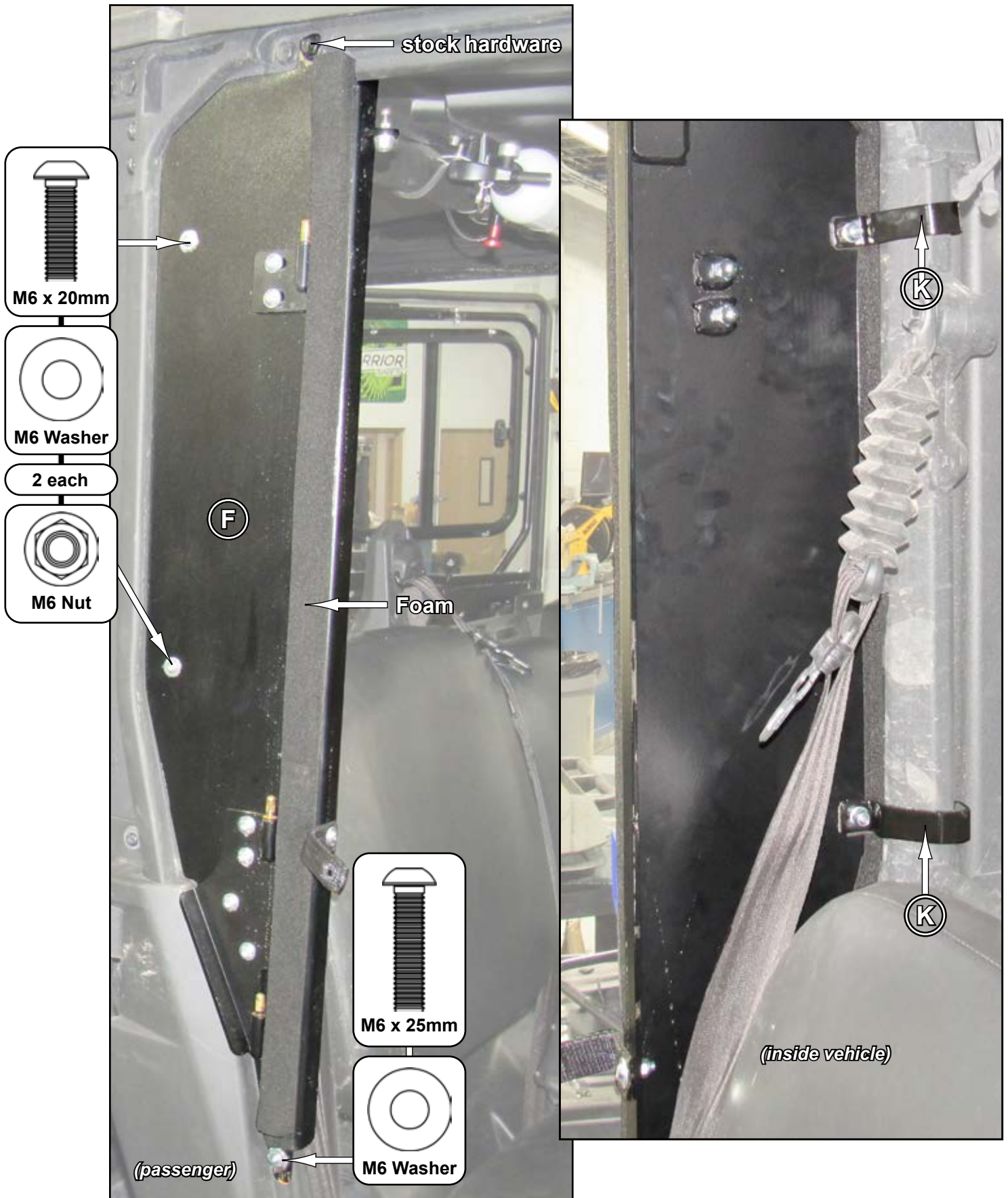
- Install Pillar Bracket - P (P) with hardware shown. Tighten hardware.
- Install Clamp (K) to Pillar Bracket - P (P) and Frame. Tighten hardware.
- Install Striker (E) to Pillar Bracket - P (P) with hardware shown.



- Install Upper Hinge - P (H), Lower Hinge - P (Q), and Strap to Hinge Mount - P (F) with hardware shown.
- Repeat for Rear.

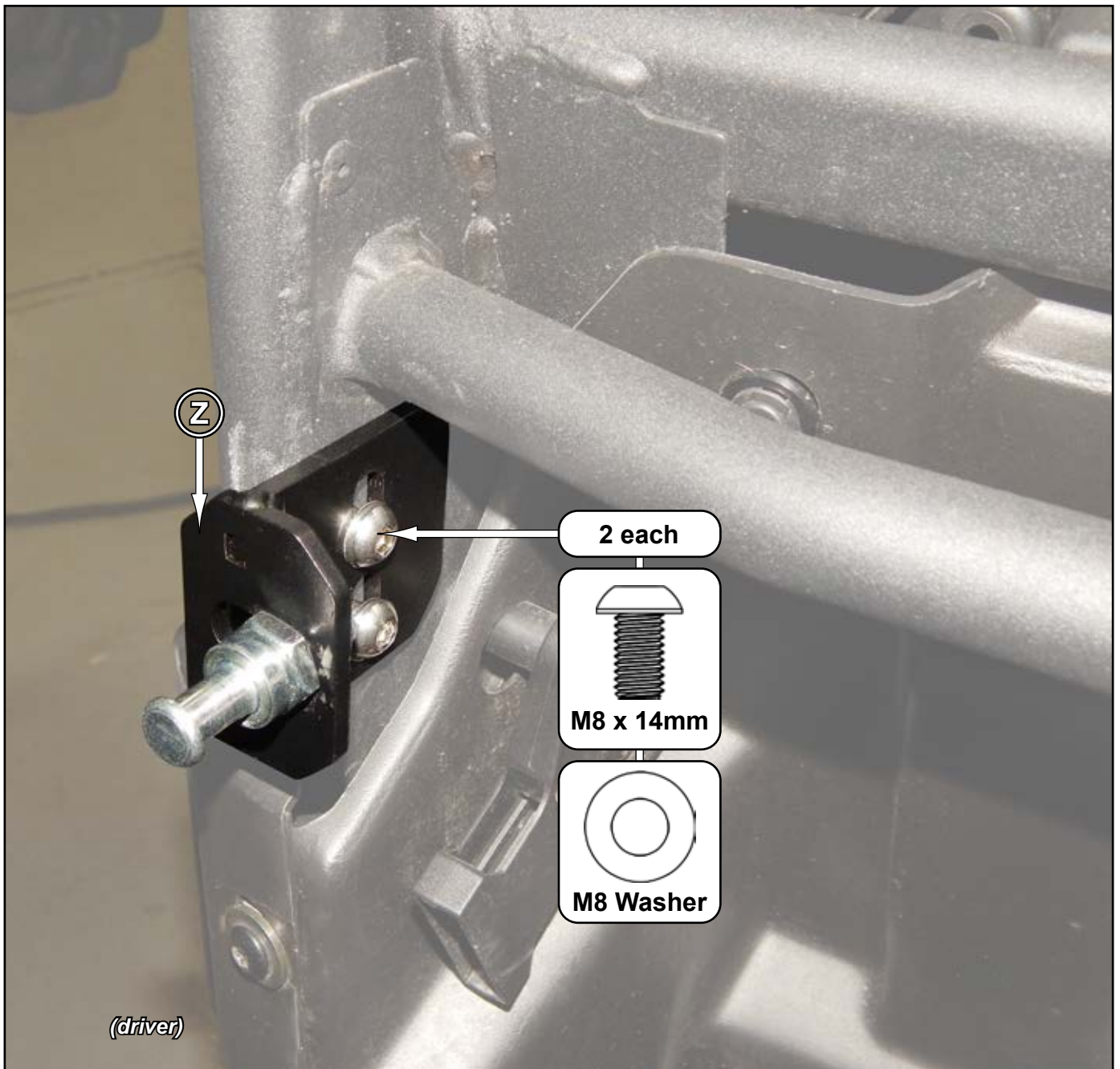


- Secure Hinge Mount - P (F) and Clamps - P (K) to machine with hardware shown.
- Install Foam as shown.



- Repeat steps for Rear and opposite side.

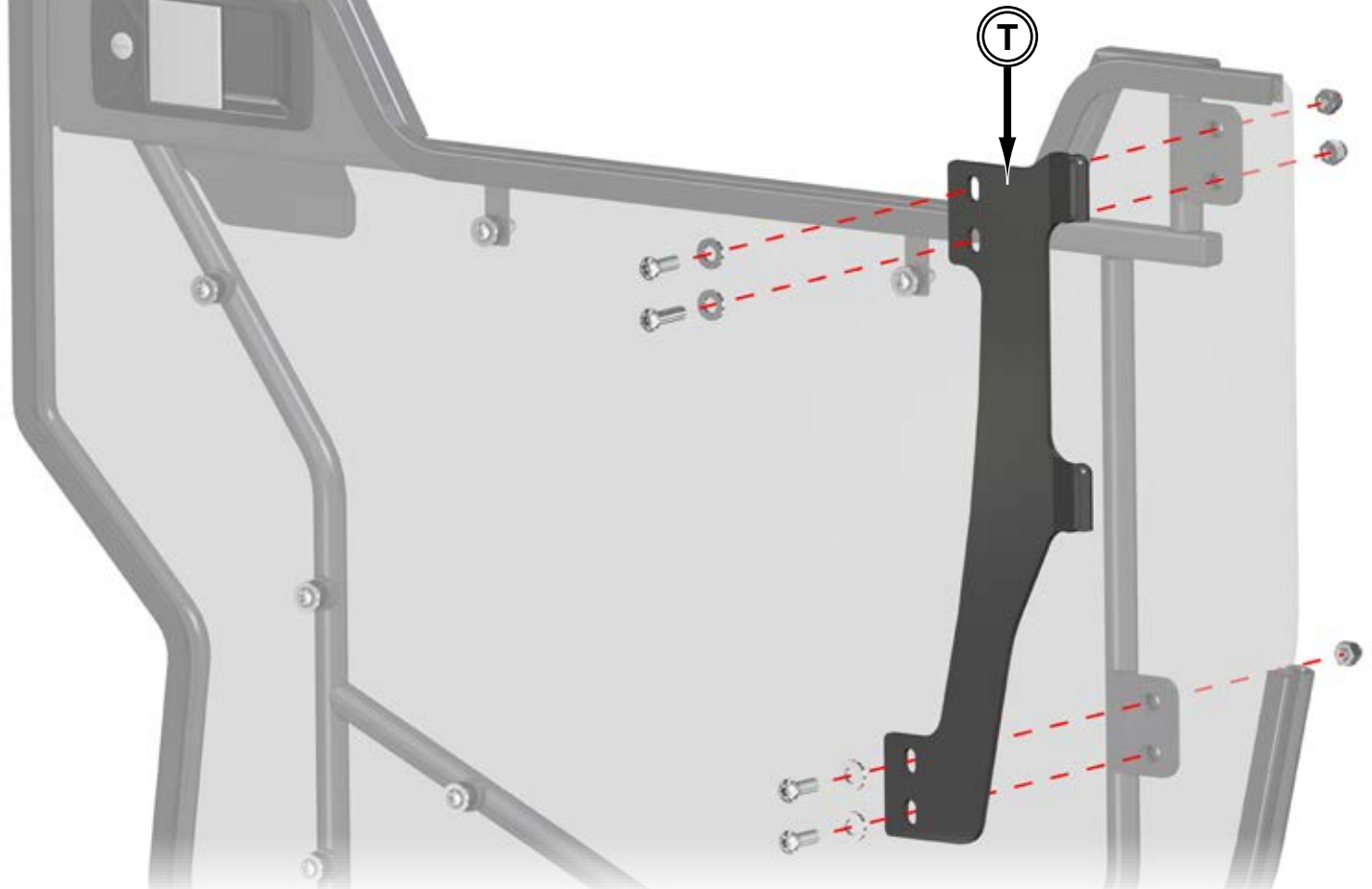
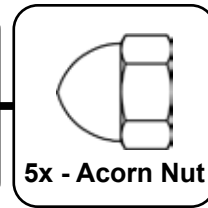
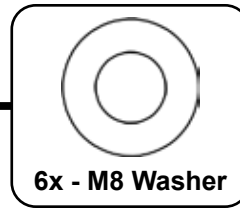
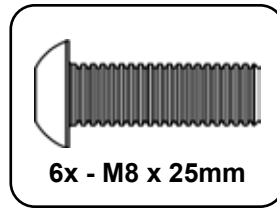
- Install Rear Striker (Z) with hardware shown.



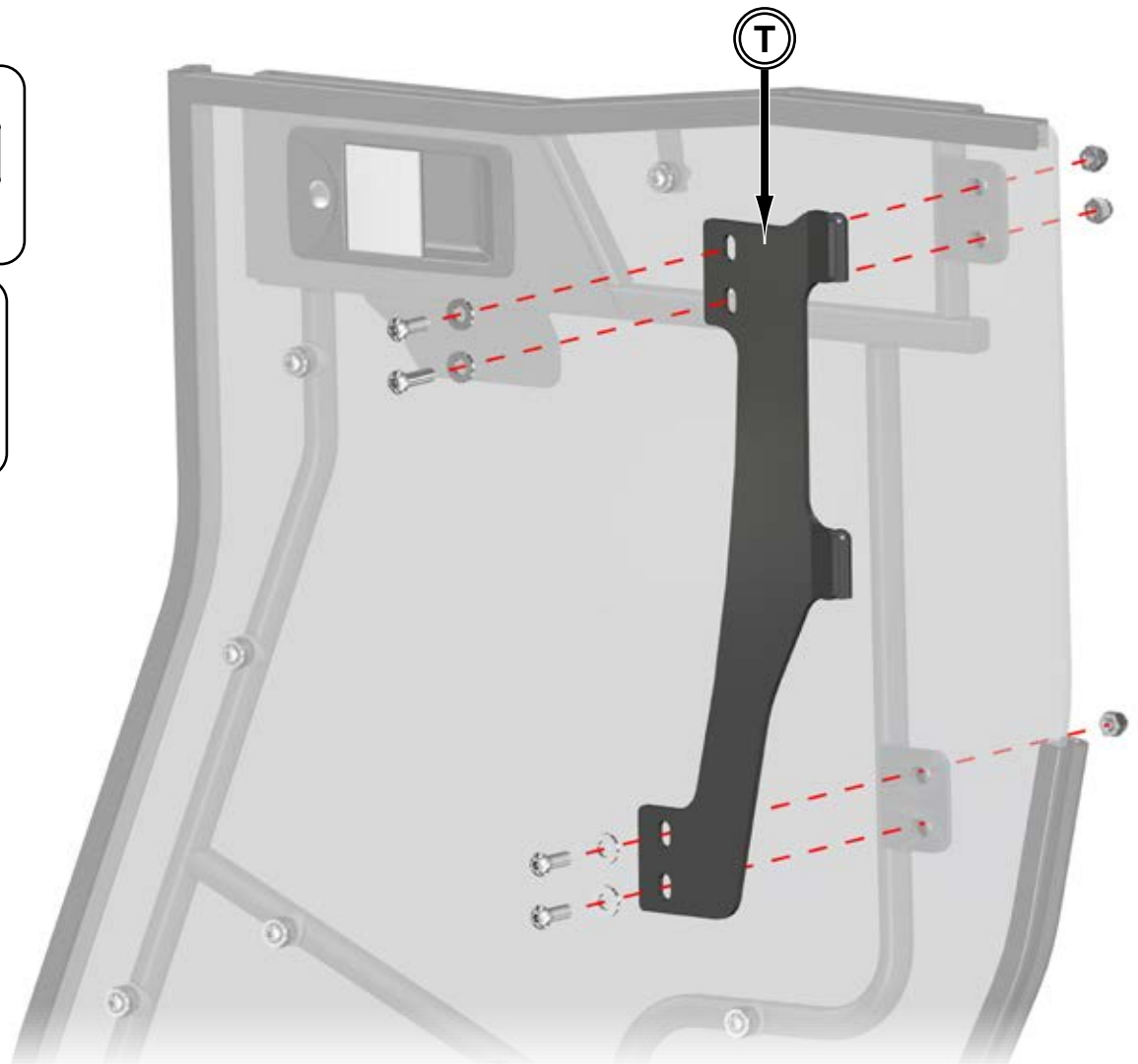
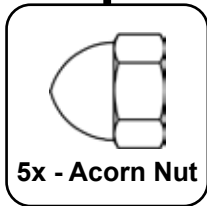
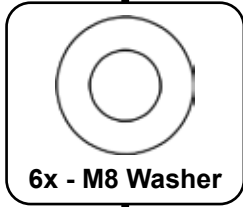
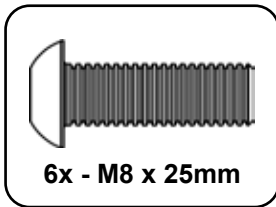
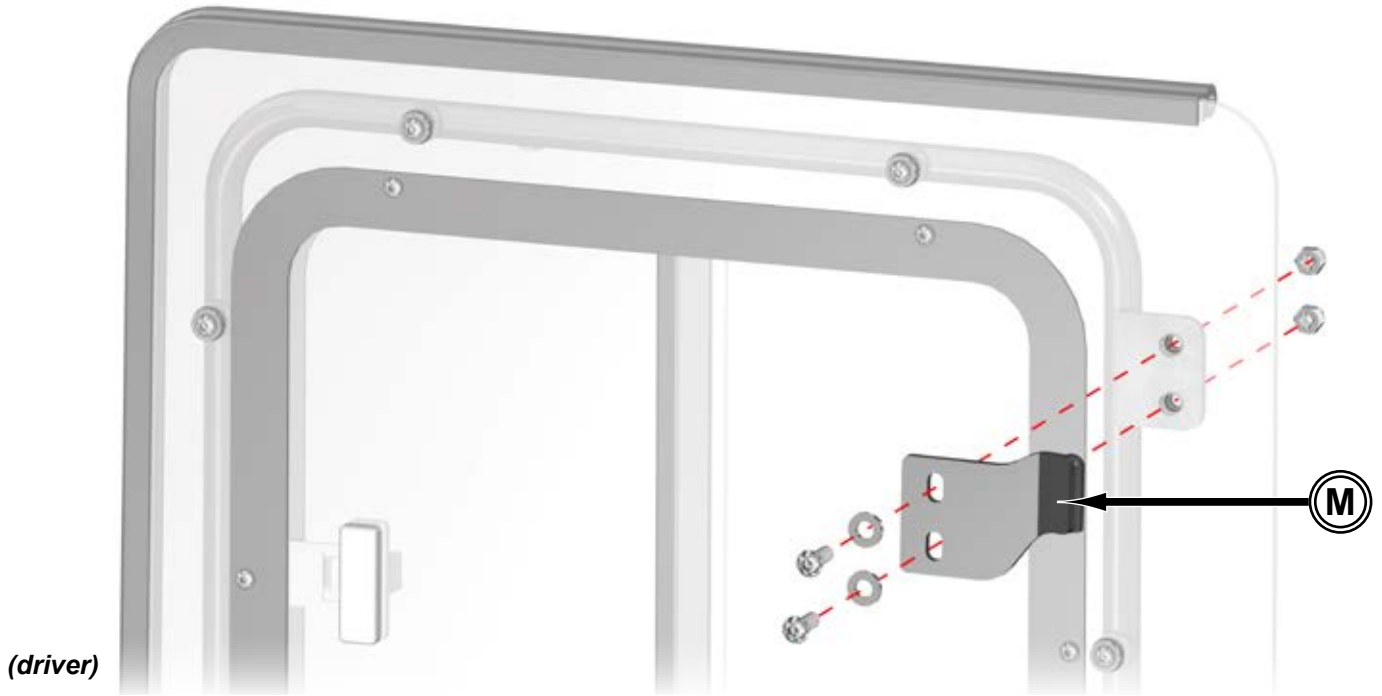
- Install Upper Hinge Mount - D (M) and Lower Hinge Mount - D (T) to **FRONT** Upper and Lower Doors with hardware shown.
- Repeat steps for opposite side.



(driver)



- Install Upper Hinge Mount - D (M) and Lower Hinge Mount - D (T) to **REAR** Upper and Lower Doors with hardware shown.
- Repeat steps for opposite side.



- Place Lower Hinge Bracket - D (T), on Lower - D (C) onto Lower Hinge - D (R).



- Place Upper Hinge Bracket - D (M), on Upper - D (A) onto Upper Hinge - D (J).



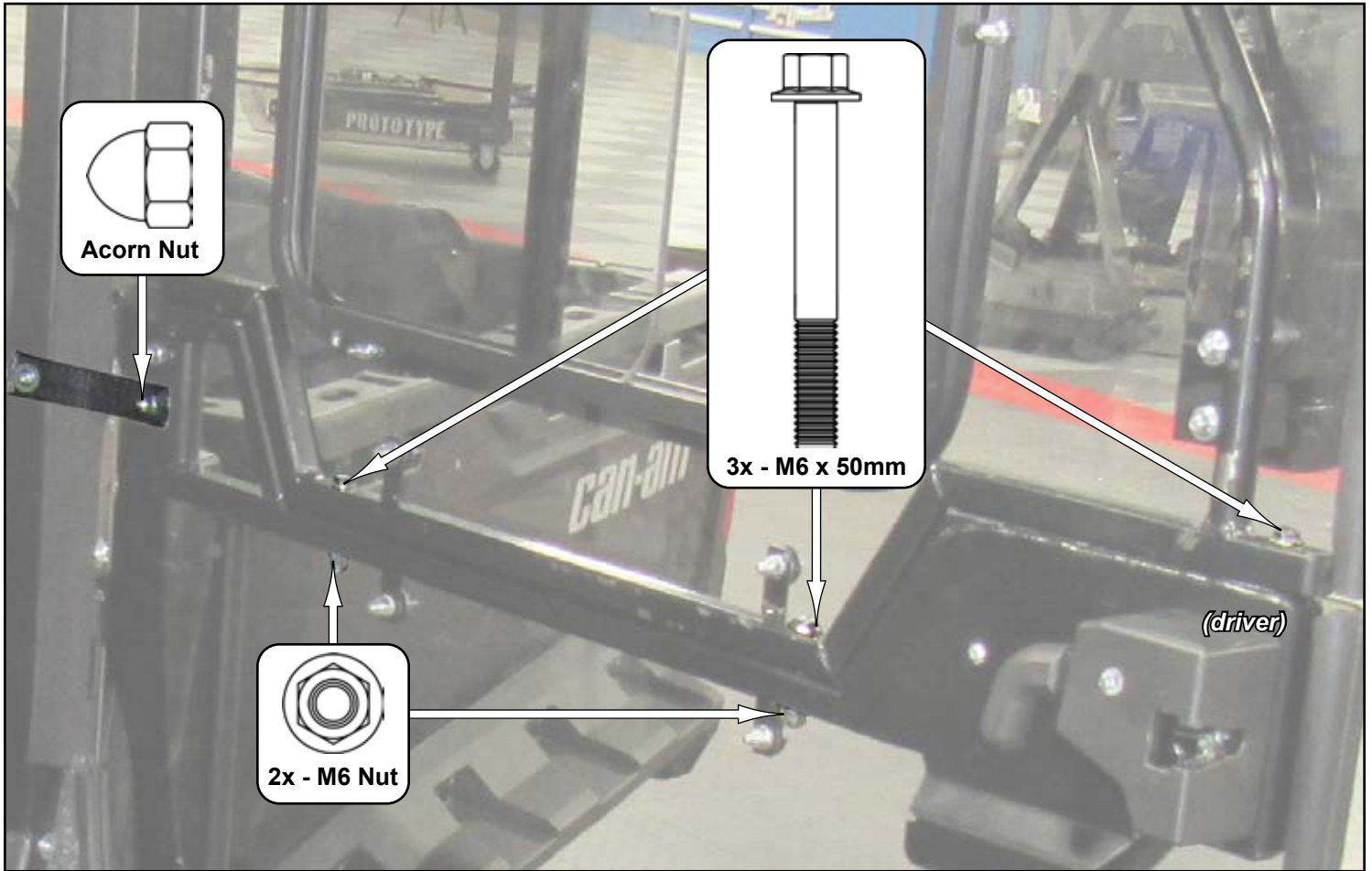
- Place Upper Hinge Bracket - D (M), on Upper - D (V) onto Upper Hinge - D (J).



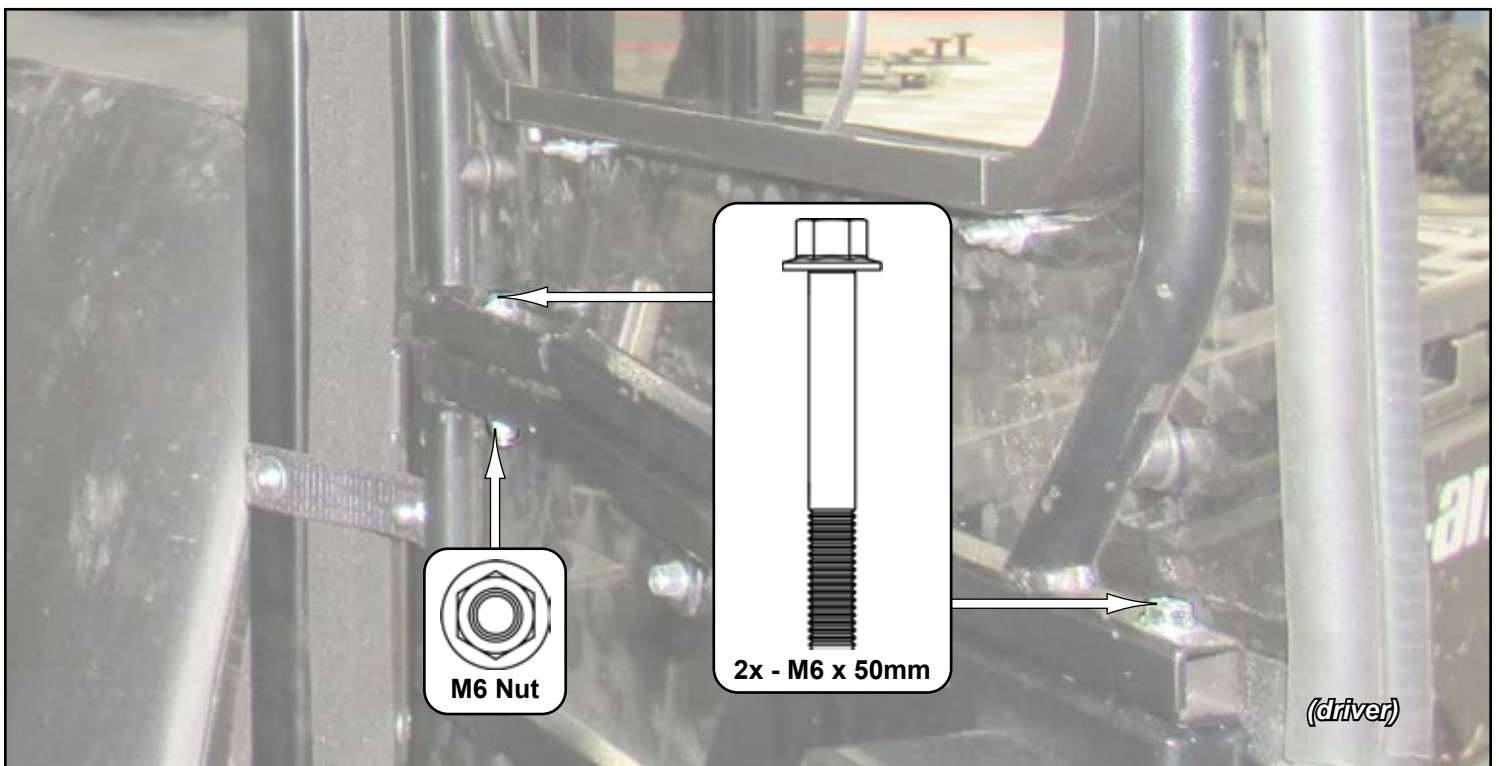
- Place Lower Hinge Bracket - D (T), on Lower - D (X) onto Lower Hinge - D (R).



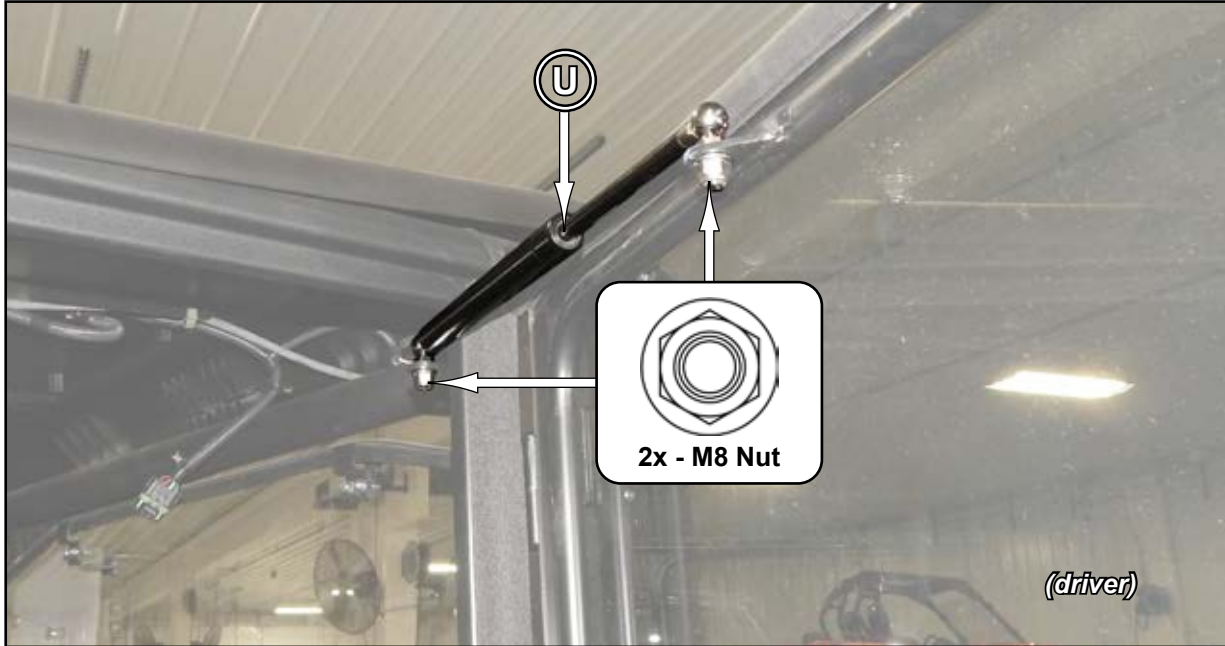
- Join Upper and Lower Doors with hardware shown; tighten hardware.
- Secure Strap to Lower - D (C).



REAR DOORS WILL USE HARDWARE SHOWN

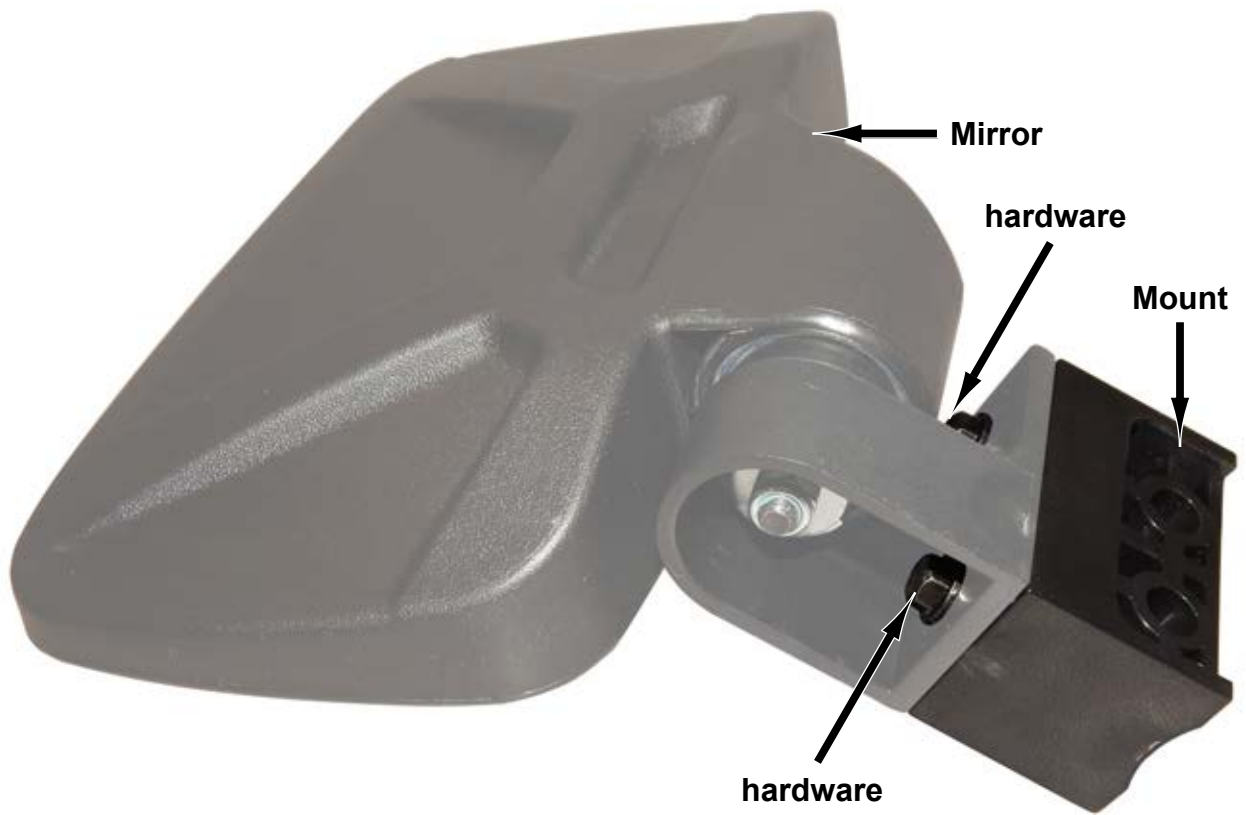


- Close Door, engage Latch / Striker Pin, and align Door to machine.
- Tighten all hardware.
- Open Door and install Strut (U) to Upper and Hinge Mount.
- Secure with hardware shown; tighten hardware.

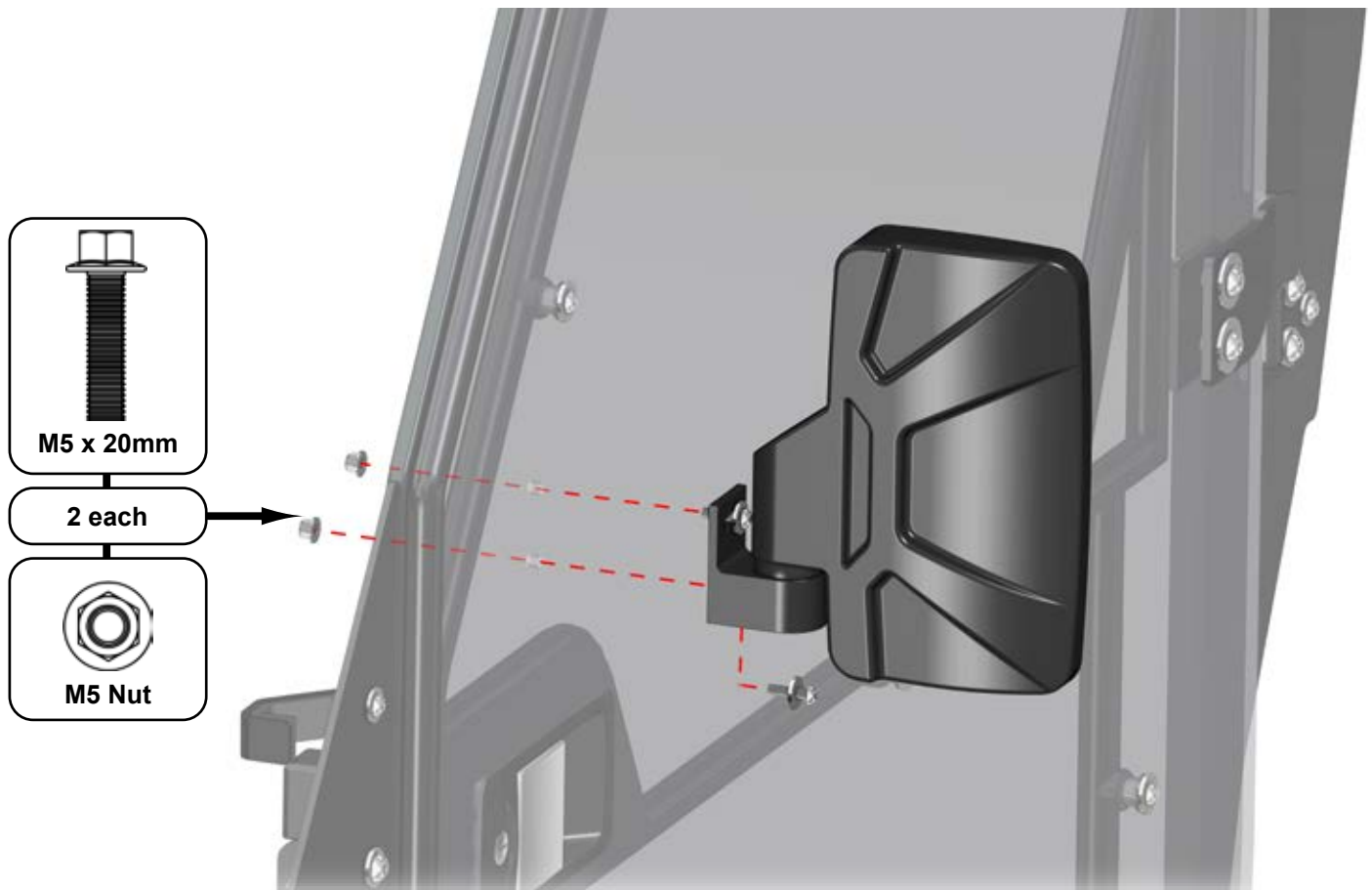


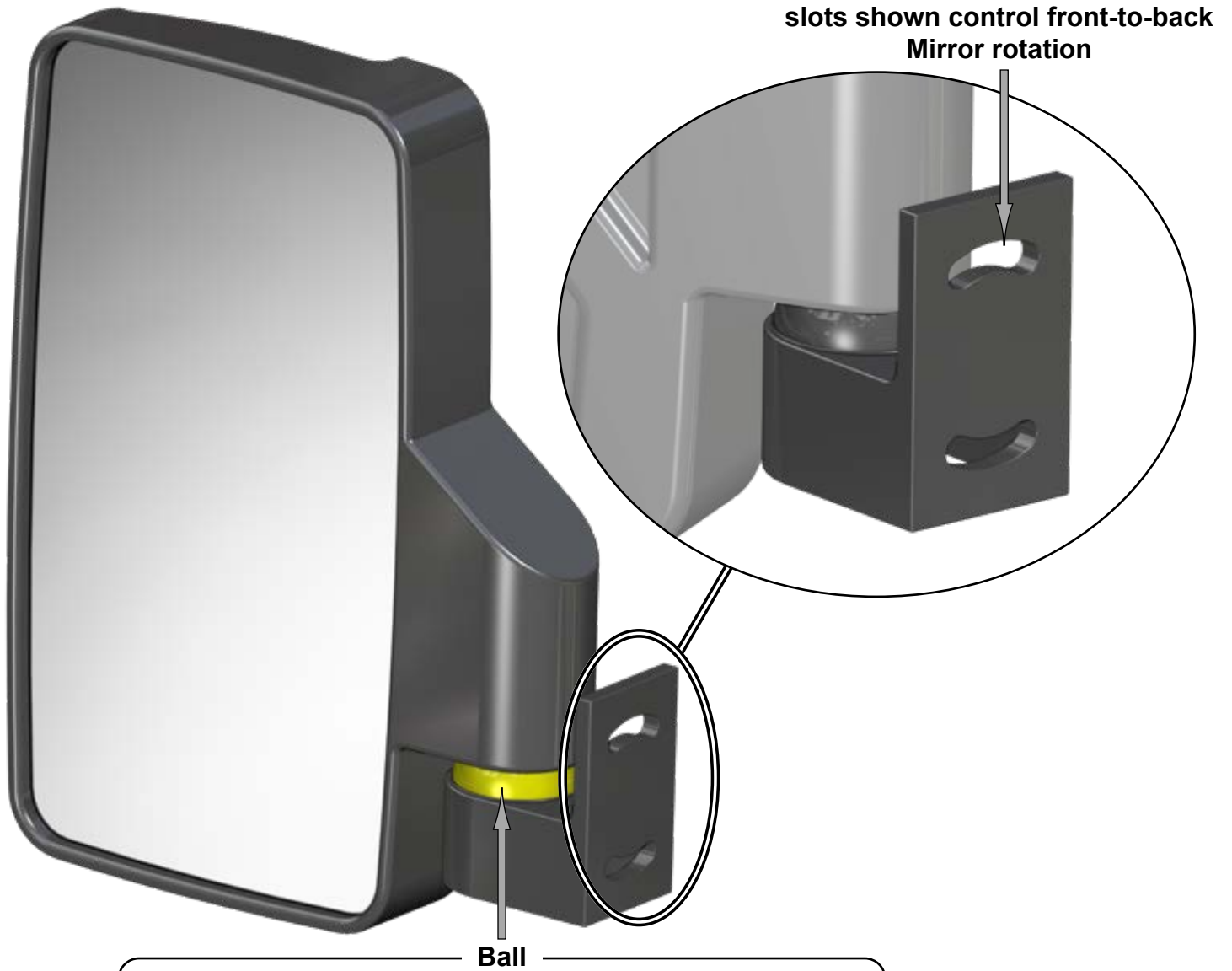
Repeat steps for Rear Doors and opposite side.

- Remove installed Mounts on Mirrors. Use 8mm wrench. Discard Mount and hardware.



- Install Mirror to Door with hardware shown. Tighten hardware.





- Mirror is spring loaded and can also be adjusted here.
- Ball will allow adjustment in various directions.

