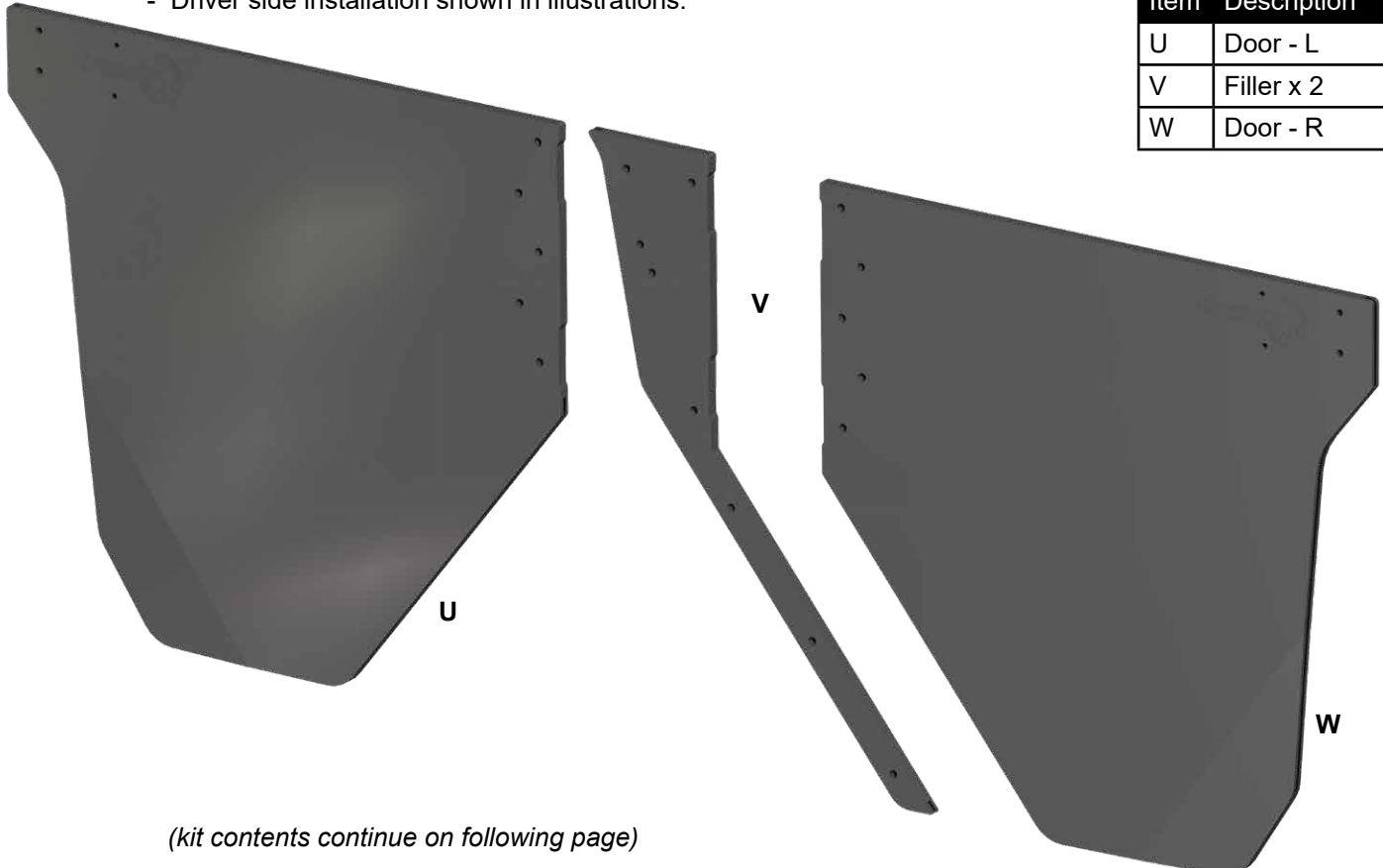


- Do not discard packaging until product has been successfully installed.
- Driver side installation shown in illustrations.

Item	Description
U	Door - L
V	Filler x 2
W	Door - R



(kit contents continue on following page)

Liability Statement

SuperATV's® products are designed to best fit user's ATV/UTV under stock conditions. Adding, modifying, or fabricating any factory or aftermarket parts will void any warranty provided by SuperATV® and is not recommended. SuperATV's® products could interfere with other aftermarket accessories. If user has aftermarket products on machine, contact SuperATV® to verify that they will work together.

Although SuperATV® has thousands of satisfied customers, user should be aware that installing lift kits, long travel, or suspension kits, tires, etc. will change the ride of machine and may increase maintenance and part wear. Operating any off-road machine while, or after, consuming alcohol and/or drugs increases risk of bodily harm or death. No warranty or representation is made as to this product's ability to protect user from severe injury or death. SuperATV® urges operators and occupants to wear a helmet and appropriate riding gear at all times.

By purchasing and installing SuperATV® products, user agrees that should damages occur, SuperATV® will not be held responsible for loss of time, use, labor fees, replacement parts, or freight charges. SuperATV®, nor any 3rd party, will not be held responsible for any direct, indirect, incidental, special, or consequential damages that result from any product purchased from SuperATV®. The total liability of seller to user for all damages, losses, and causes of action, if any, shall not exceed the total purchase price paid for the product that gave rise to the claim.

SuperATV® will warranty only parts provided by SuperATV®. Any damage or problems with OEM housings, bearings, seals, or other manufacturers' products will not be covered by SuperATV®. SuperATV® parts and products are not warranted if item was not installed properly, misused, or modified.

Installing, adding, modifying, or fabricating any factory or aftermarket product to your ATV/UTV may violate certain local, state, and federal laws. Be advised that laws vary depending on town, city, county, state, etc. Use of certain products on public streets, roads, or highways may be in violation law. The Buyer is solely and exclusively legally and personally responsible for any violation of the law by the installation or use of the product. You must abide by all local, state, and federal laws, including but not limited to vehicle safety, traffic laws, and ordinances. It is your responsibility to know the laws and how they apply to you.

The Buyer is responsible to fully understand the capability and limitations of his/her vehicle according to manufacturer specifications, warnings and instructions and agrees to hold SuperATV® harmless from any damage resulting from failure to adhere to such specifications, warnings and/ or instructions. The Buyer is also responsible to obey all applicable federal, state, and local laws and ordinances when operating his/her vehicle while using this product, and the Buyer agrees to hold SuperATV® harmless from any violation thereof.

Need help with your installation?



sales@superatv.com



www.superatv.com



1-855-743-3427



8:00am - 8:00pm EST M-Th
 8:00am - 7:00pm EST Friday
 9:00am - 2:00pm EST Saturday

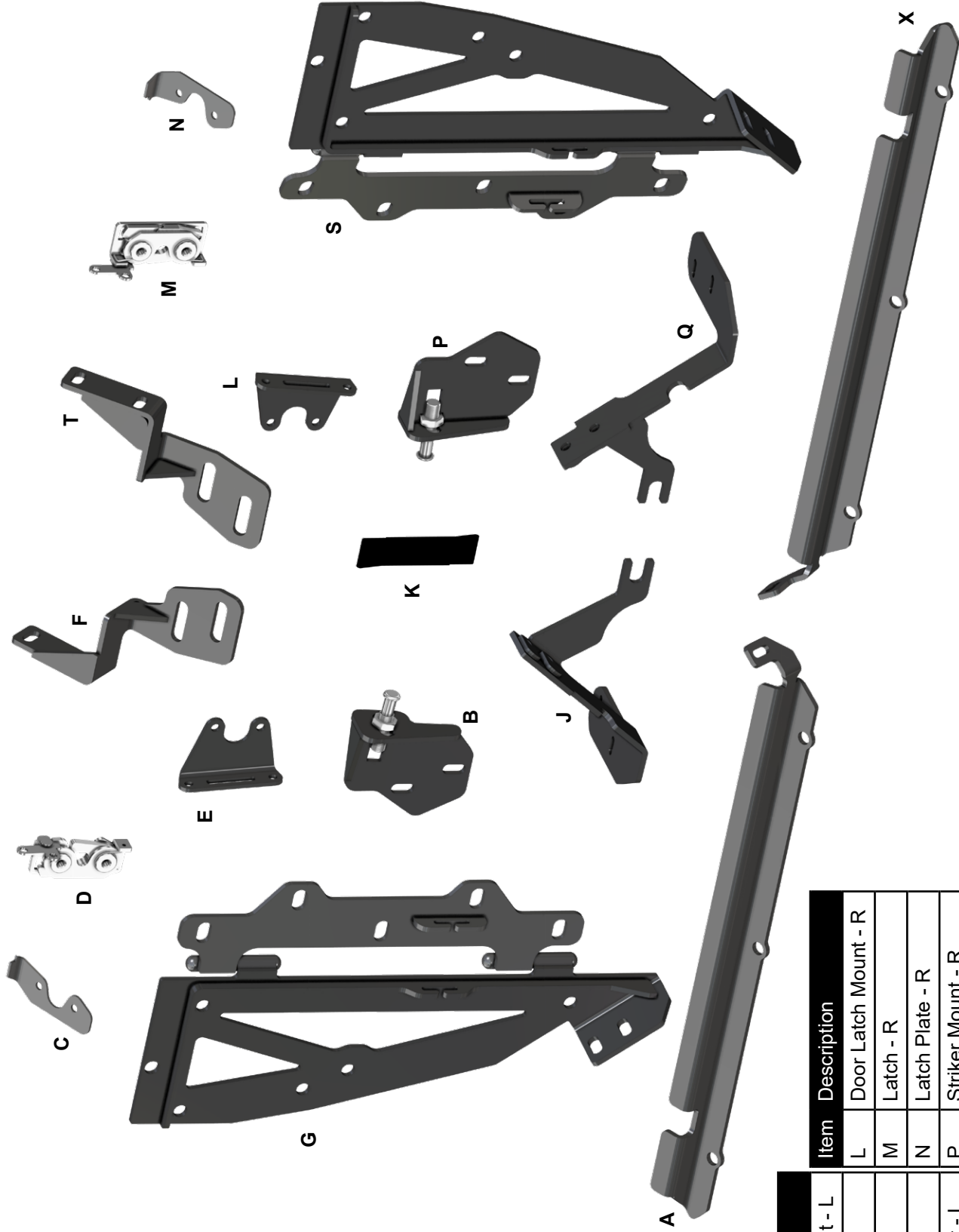
Read instructions and view illustrations before beginning.

Thank You

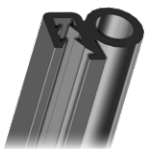
For Choosing



(kit contents continued)



Bulb Seal

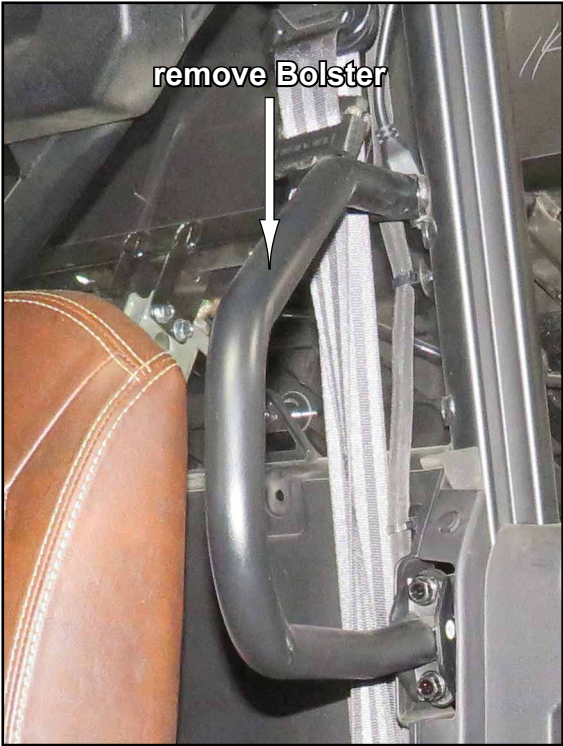


Seal

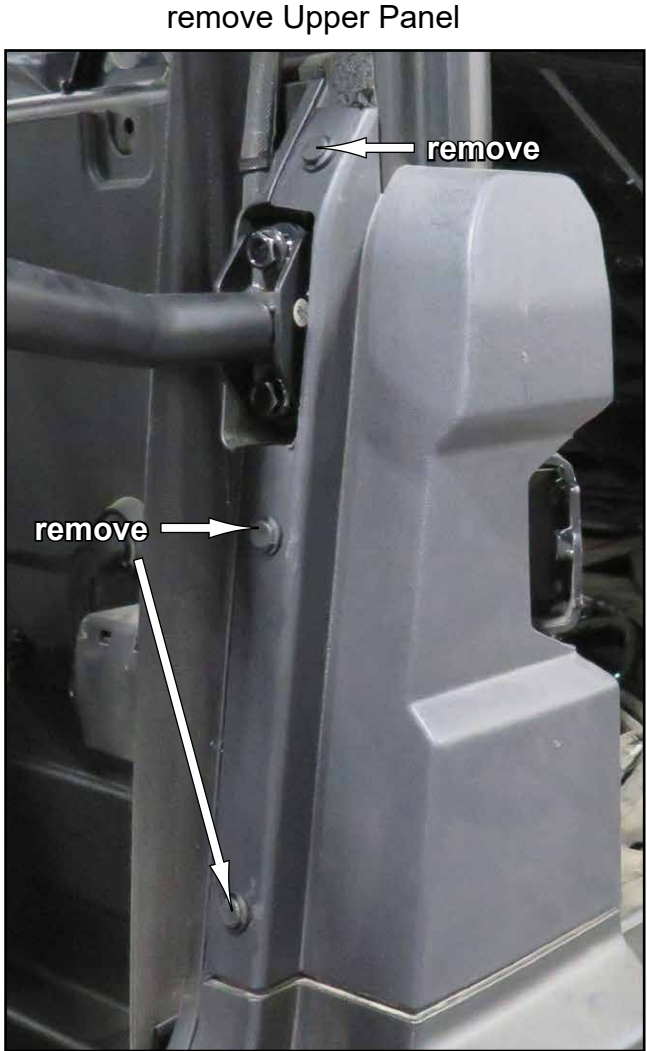


Item	Description	Item	Description
A	Lower Door Mount - L	L	Door Latch Mount - R
B	Striker Mount - L	M	Latch - R
C	Latch Plate - L	N	Latch Plate - R
D	Latch - L	P	Striker Mount - R
E	Door Latch Mount - L	Q	Lower Filler Mount - R
F	Filler Mount - L	S	Door Mount - R
G	Door Mount - L	T	Filler Mount - R
J	Lower Filler Mount - L	X	Lower Door Mount - R
K	Strap x 2		

remove components / hardware shown; do not discard



Bolsters and Nets will not be reinstalled

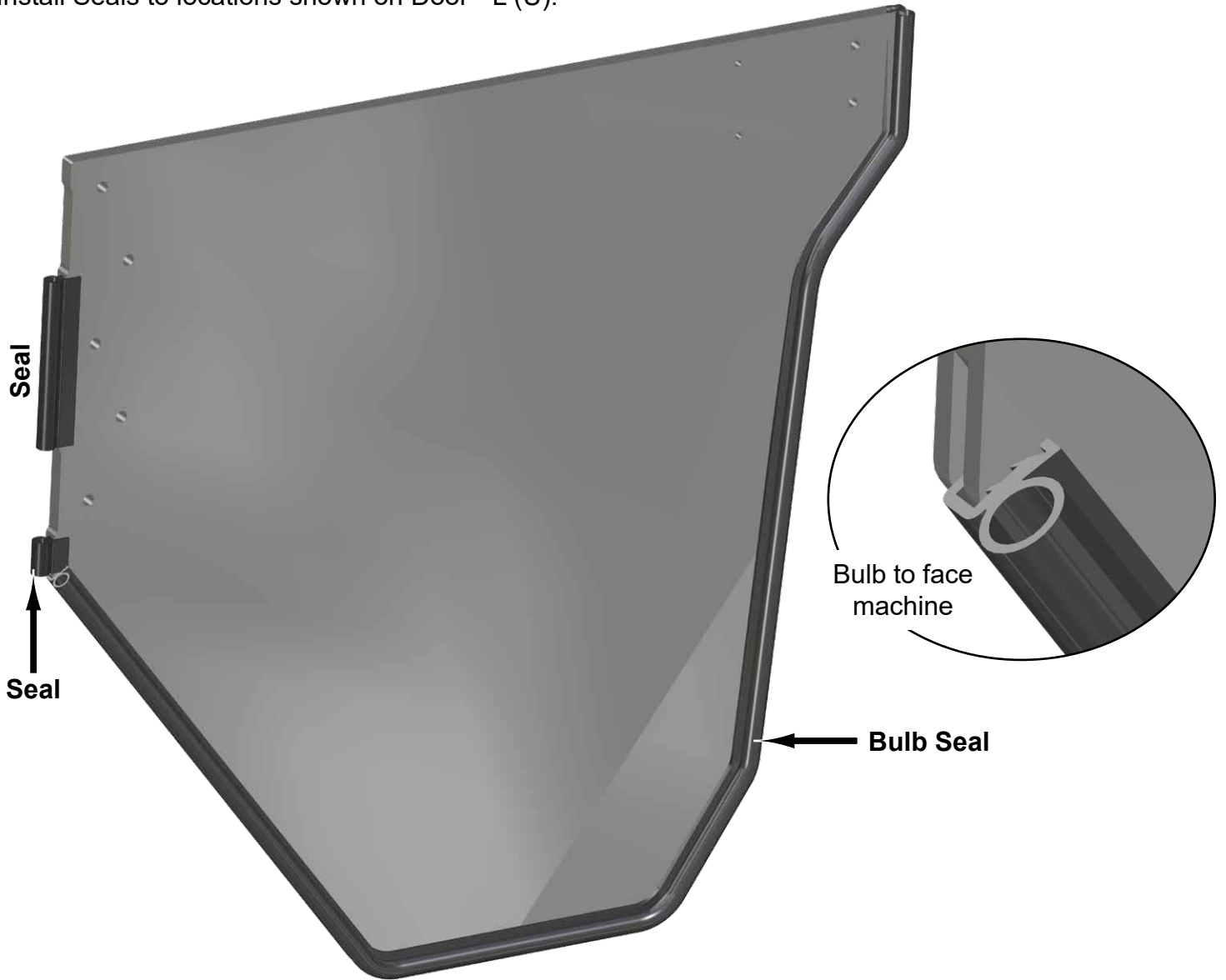


following procedure is for driver side only

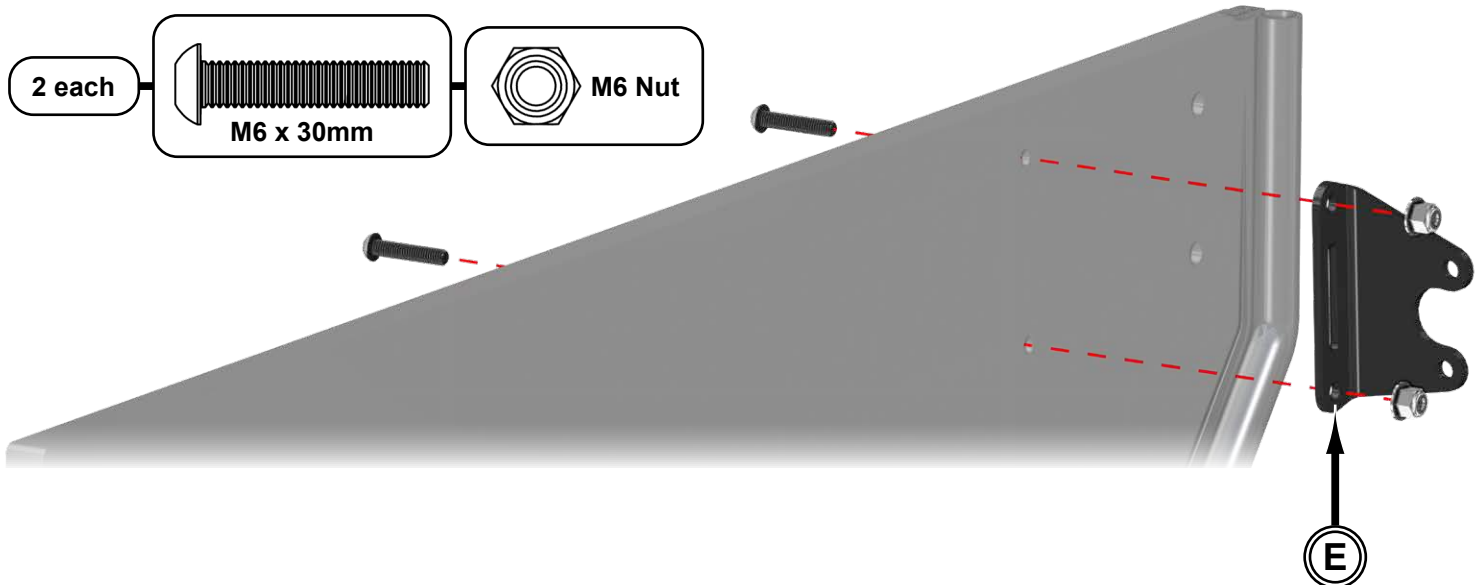
remove components shown and pull back Rear Panel



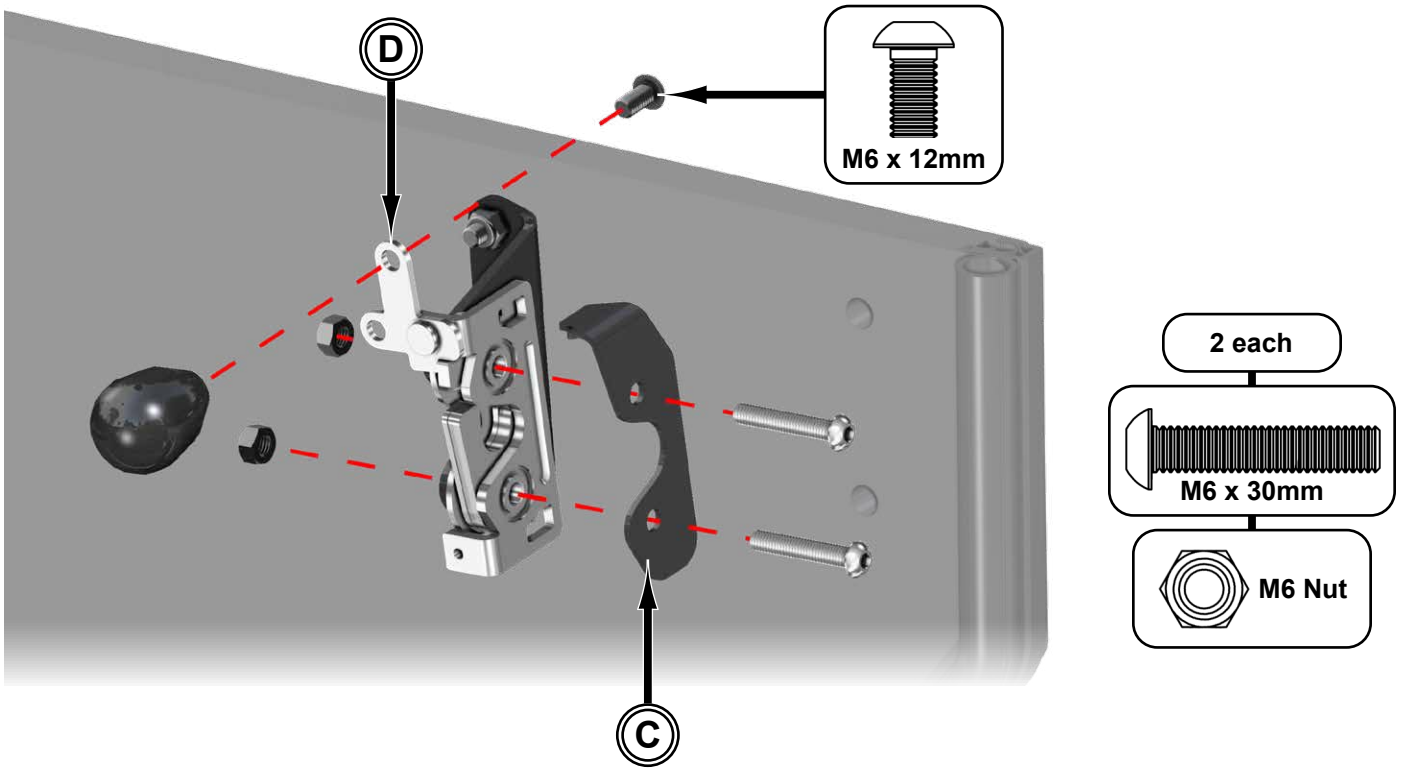
- Install Seals to locations shown on Door - L (U).



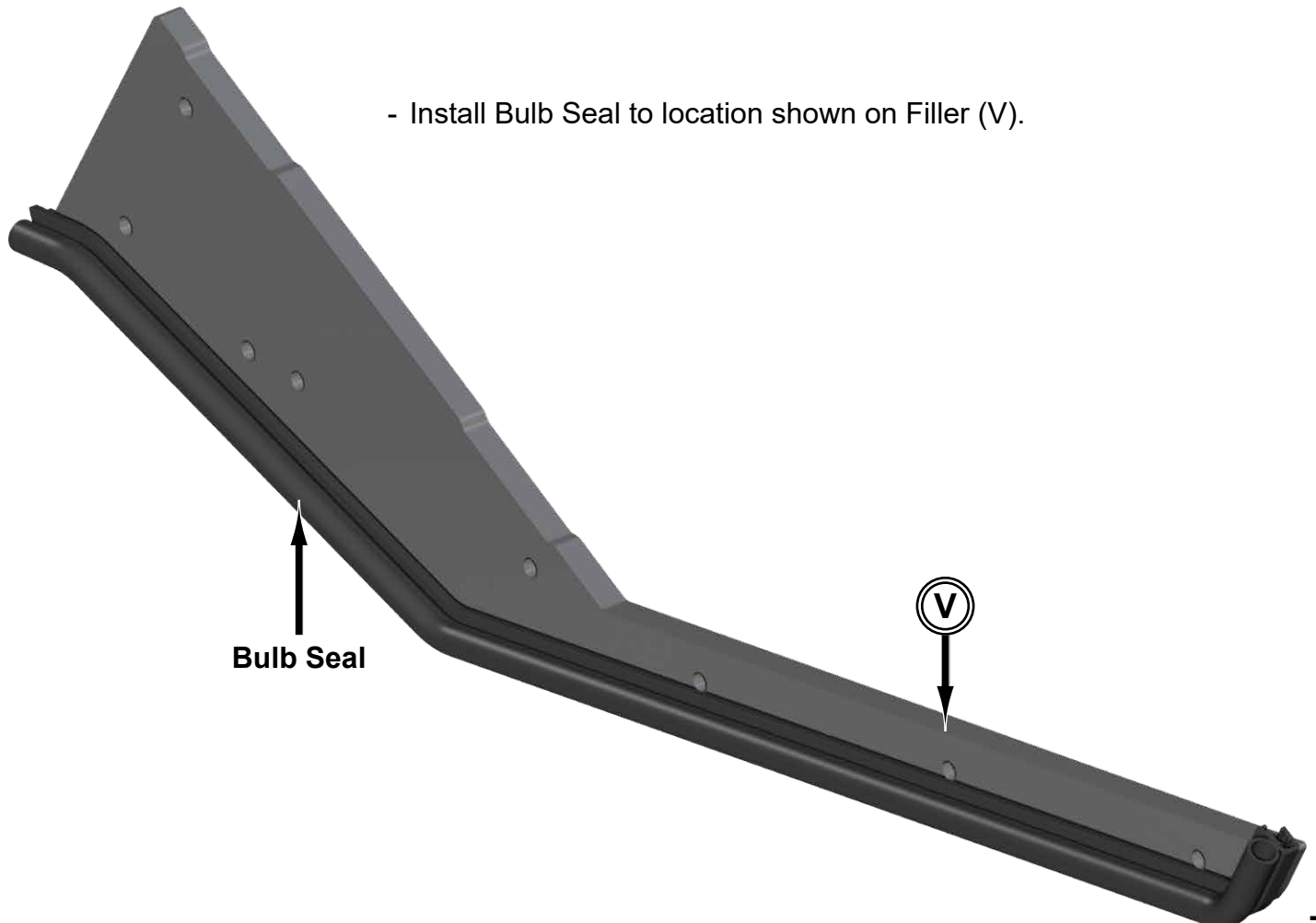
- Install Door Latch Mount - L (E) to Door - L (U) with hardware shown; tighten.



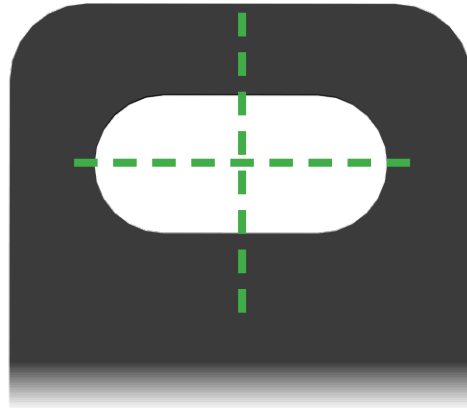
- Join Latch Plate - L (C) and Latch - L (D) to Door Latch Mount - L (E) with hardware shown; tighten.
- Install Knob to Latch - L (D) with hardware shown; tighten.



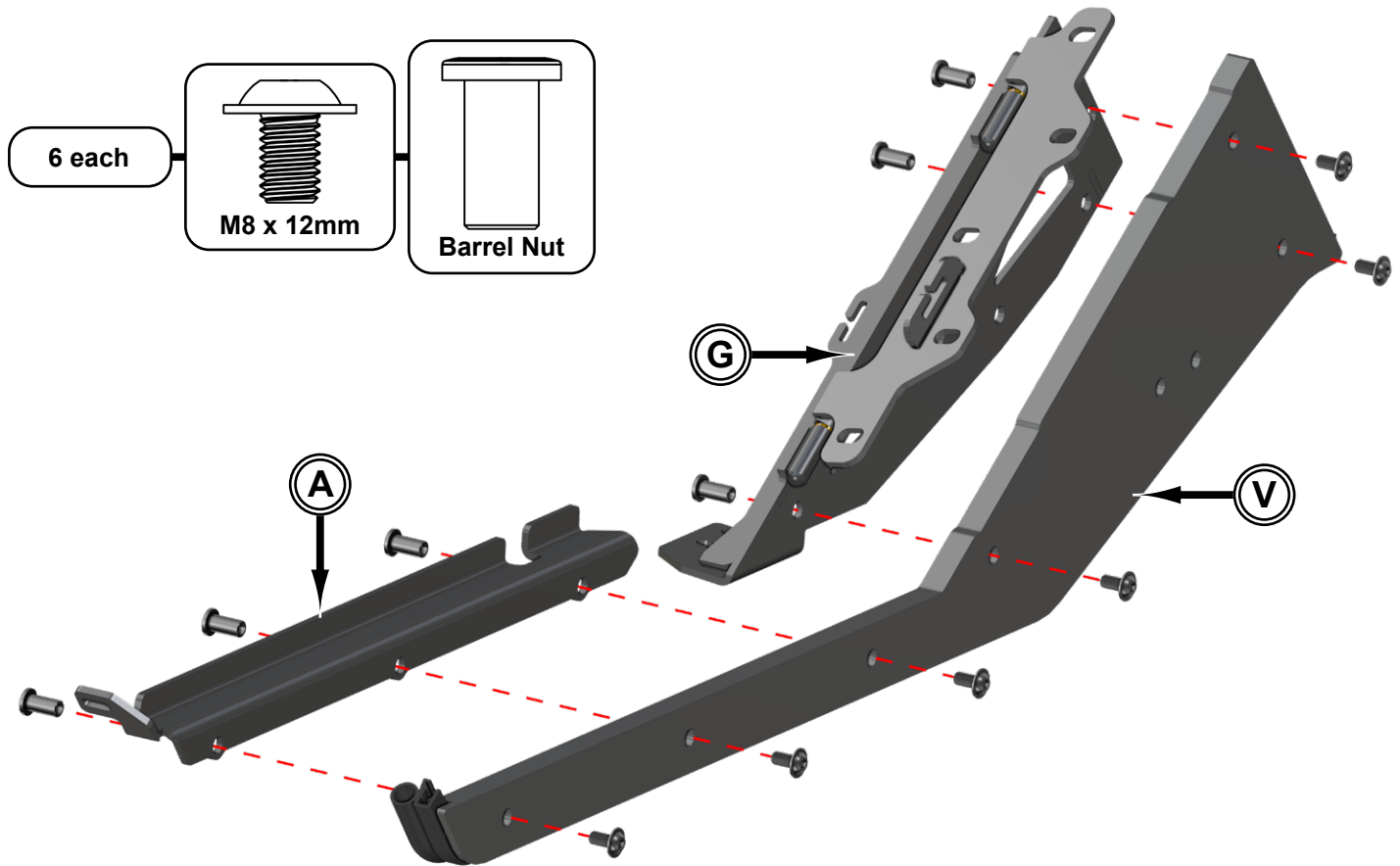
- Install Bulb Seal to location shown on Filler (V).



When installing slotted components, center hardware in slots.

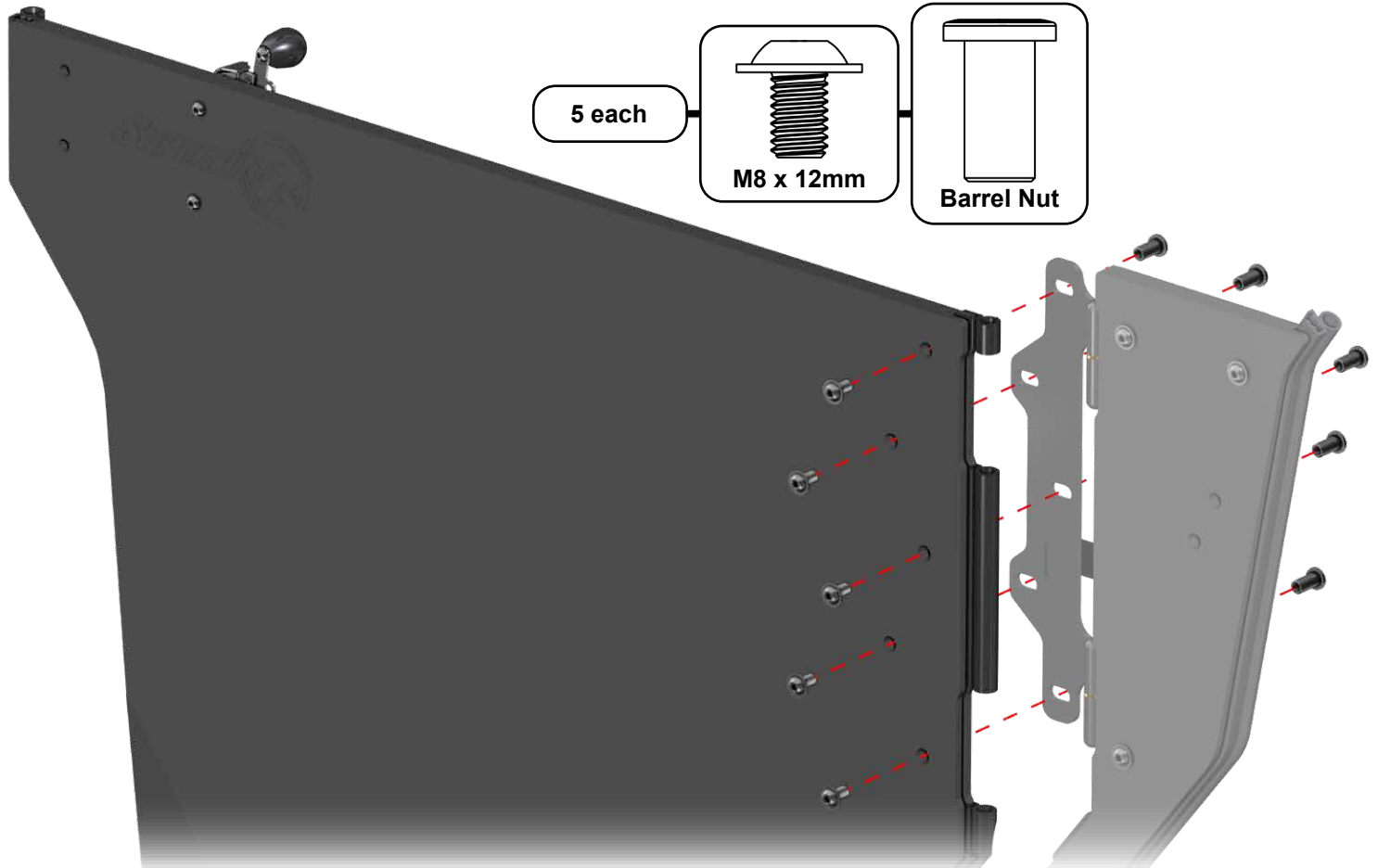


- Install Lower Door Mount - L (A) and Door Mount - L (G) to Filler (V) with hardware shown; tighten.



KEEP HARDWARE SNUG BUT NOT COMPLETELY TIGHT

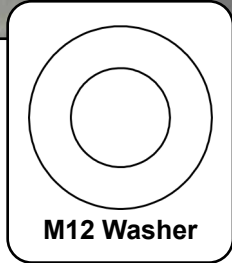
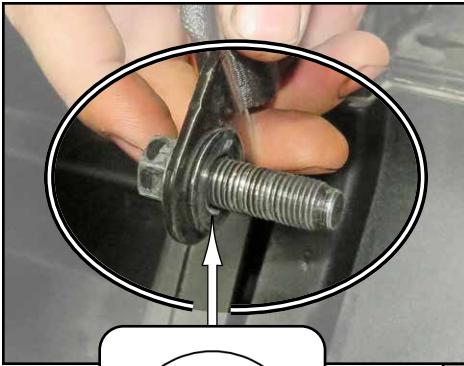
- Install Door - L (U) to Filler assembly with hardware shown.



- Install Strap (K).



- Install Lower Filler Mount - L (J) and Washer to Seat Belt Hardware.



- Secure Lower Filler Mount - L (J) with stock hardware.
- Tighten **all** hardware.



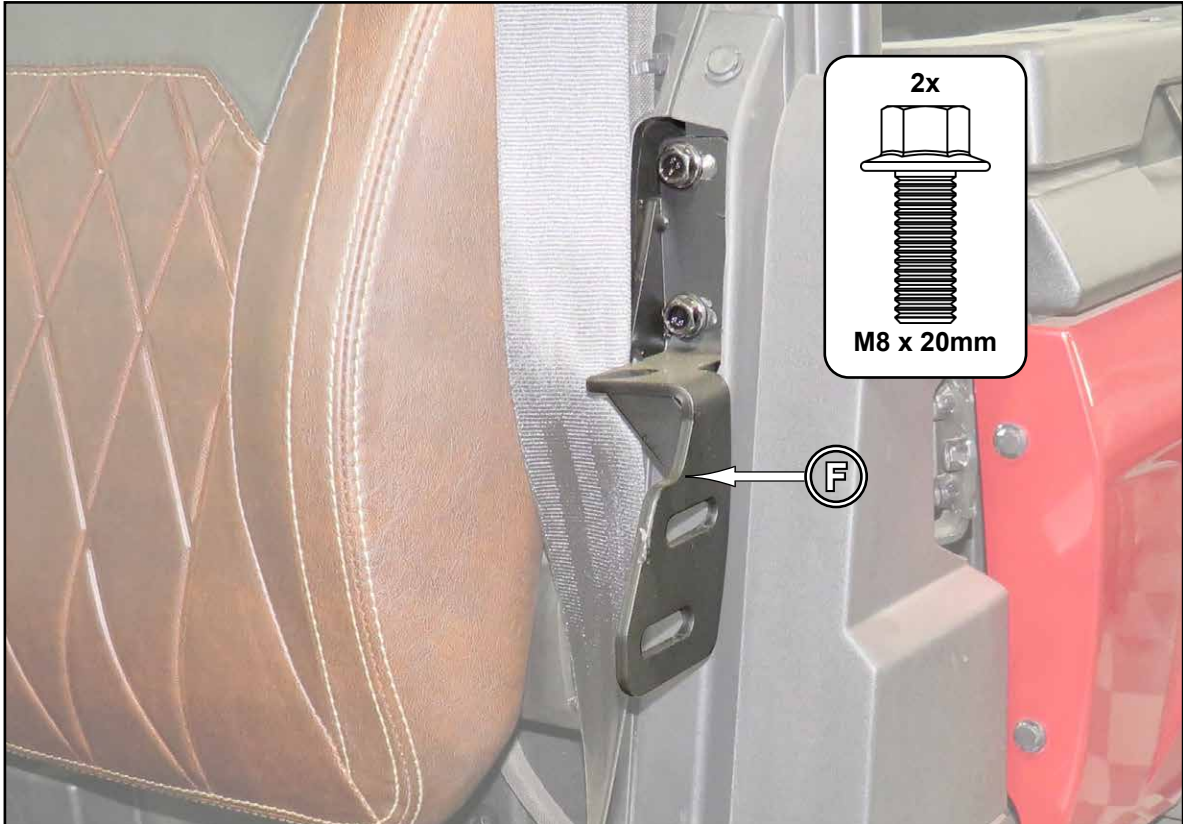
Replace components and place Rear Panel back into position; see page 5.

When installing Lower Filler Mount - R (Q), Seat Belt Hardware can be accessed by removing Passenger Seat and Seat Panel.



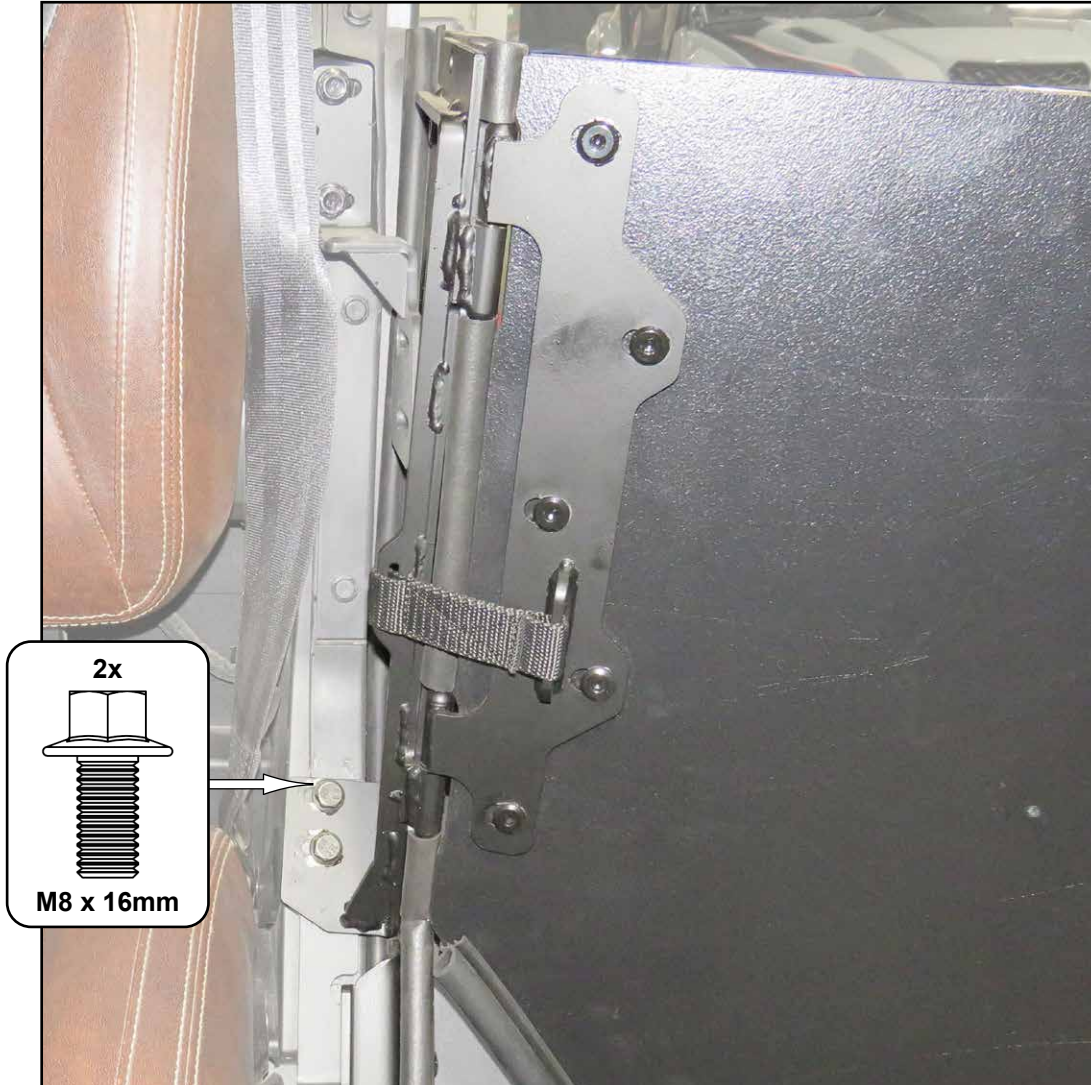
KEEP HARDWARE SNUG BUT NOT COMPLETELY TIGHT

- Install Filler Mount - L (F) with hardware shown.



KEEP HARDWARE SNUG BUT NOT COMPLETELY TIGHT

- Install Door assembly to Lower Filler Mount - L (J) with hardware shown.



- Secure location on Lower Door Mount - L (A) to machine with hardware shown.



- Secure Filler (V) to Filler Mount - L (F) with hardware shown; tighten.

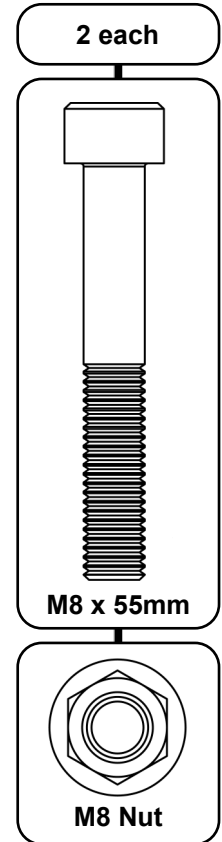


KEEP HARDWARE SNUG BUT NOT COMPLETELY TIGHT

- Install Striker Mount - L (B) to machine with stock hardware.



- Install stock Mirror Mount to Door - L (U) with hardware shown; tighten.



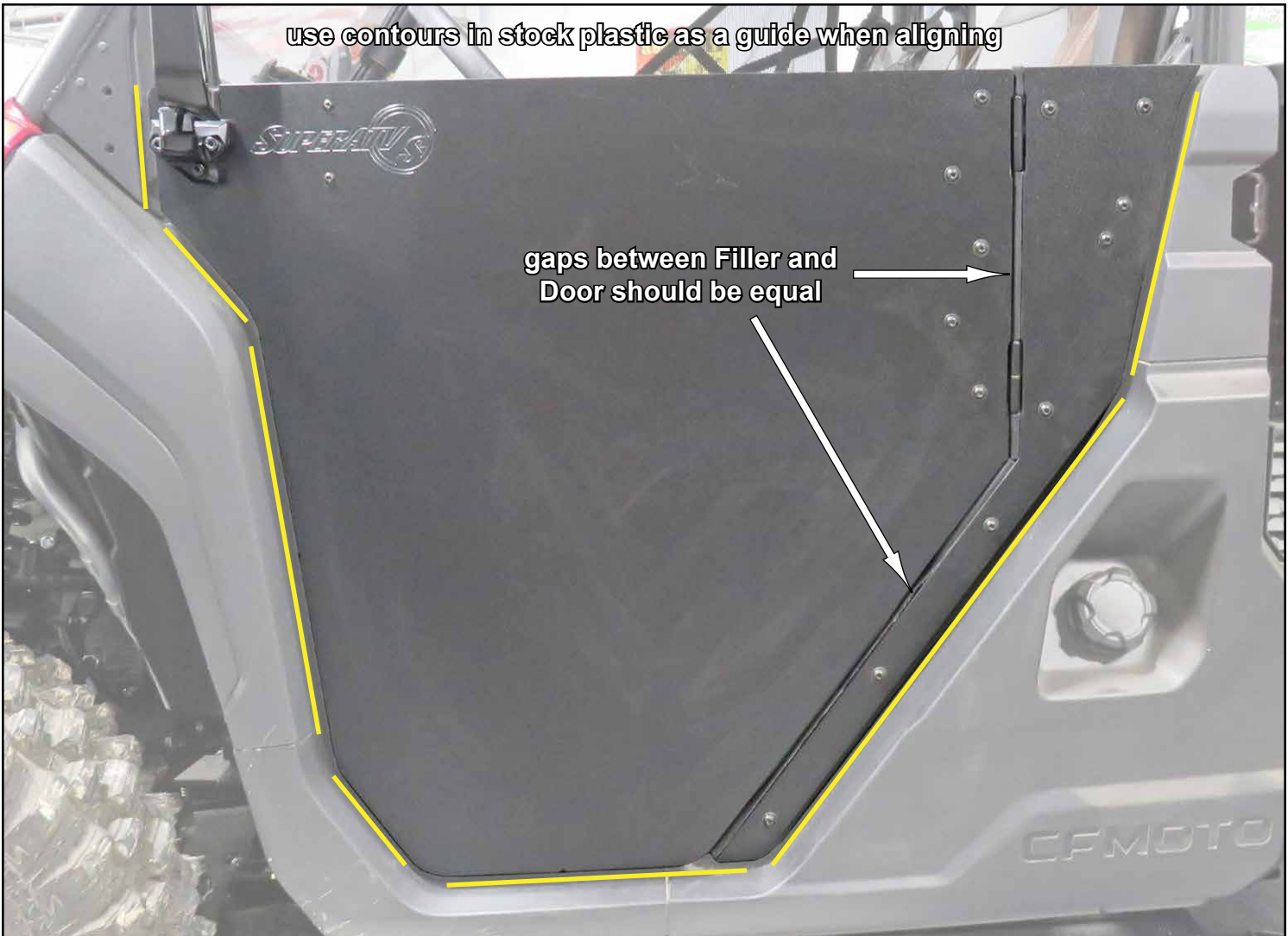
- Install Mirror to Mirror Mount with hardware shown; tighten.





close Door and engage Latch

align Door to machine and tighten **all** hardware completely



use contours in stock plastic as a guide when aligning

gaps between Filler and Door should be equal

- Repeat steps for passenger side installation.
- Reinstall applicable stock components.