

- Make sure door handles are unlocked before installing.
- Do not discard packaging until product has been successfully installed.
- Discard any remaining hardware.
- This item is not returnable if the protective film has been removed.
- Test fit to the cage to confirm fitment before removing film.
- Driver side installation shown in illustrations.

Item	Description
A	Upper - D
B	Upper - P
C	Lower - P
D	Lower - D



Kit Contents continue on following page

#### Need help with your installation?



sales@superatv.com



www.superatv.com



1-855-743-3427



8:00am - 8:00pm EST M-Th  
8:00am - 7:00pm EST Friday  
9:00am - 2:00pm EST Saturday

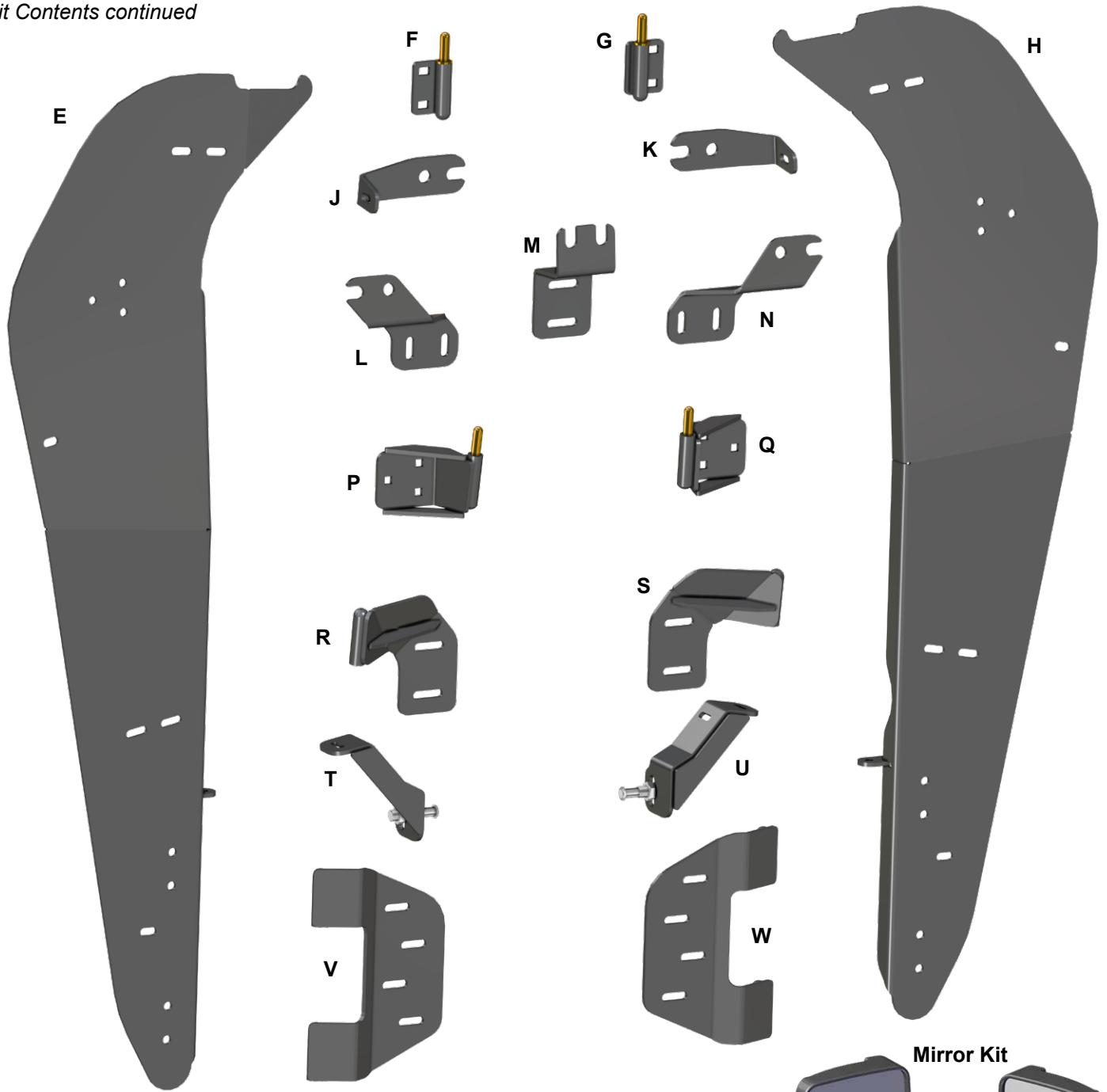
Read instructions and view illustrations before beginning.

Thank You

For Choosing



Kit Contents continued



remove Blocks from Mirrors  
(will not be used)

Item	Description
E	Filler Panel - P
F	Lower Hinge Pin Bracket - P x 2
G	Lower Hinge Pin Bracket - D x 2
H	Filler Panel - D
J	Lower Hinge Mount Support - P
K	Lower Hinge Mount Support - D
L	Upper Hinge Mount Support - P
M	Middle Hinge Mount Support x 2
N	Upper Hinge Mount Support - D

Item	Description
P	Upper Hinge Pin Bracket - P
Q	Upper Hinge Pin Bracket - D
R	Upper Hinge Mount - P
S	Upper Hinge Mount - D
T	Striker Bolt Assembly - P
U	Striker Bolt Assembly - D
V	Lower Hinge Mount - P
W	Lower Hinge Mount - D

**Door Cleaning:**

- Do not use Rain-X®, Plexus® or any other protector, wax, or polish.
  - Do not use window cleaning fluids (Windex, 409, etc) or any solvents (gasoline, denatured alcohol, acetone, etc).
  - Never use abrasive cleaners, abrasive pads, or gritty cloths.
  - Never use razor blades, scrapers, squeegees, brushes, etc.
1. Thoroughly rinse Doors to float off dirt and mud.
  2. Using a soft cloth, or microfiber cloth, clean Doors with warm water and a gentle detergent. Baby shampoo, rubbing alcohol, or hand washing soap can also be used.
  3. To prevent water spots, use a chamois to blot Doors dry.

**Liability Statement**

SuperATV's® products are designed to best fit user's ATV/UTV under stock conditions. Adding, modifying, or fabricating any factory or aftermarket parts will void any warranty provided by SuperATV® and is not recommended. SuperATV's® products could interfere with other aftermarket accessories. If user has aftermarket products on machine, contact SuperATV® to verify that they will work together.

Although SuperATV® has thousands of satisfied customers, user should be aware that installing lift kits, long travel, or suspension kits, tires, etc. will change the ride of machine and may increase maintenance and part wear. Operating any off-road machine while, or after, consuming alcohol and/or drugs increases risk of bodily harm or death. No warranty or representation is made as to this product's ability to protect user from severe injury or death. SuperATV® urges operators and occupants to wear a helmet and appropriate riding gear at all times.

By purchasing and installing SuperATV® products, user agrees that should damages occur, SuperATV® will not be held responsible for loss of time, use, labor fees, replacement parts, or freight charges. SuperATV®, nor any 3rd party, will not be held responsible for any direct, indirect, incidental, special, or consequential damages that result from any product purchased from SuperATV®. The total liability of seller to user for all damages, losses, and causes of action, if any, shall not exceed the total purchase price paid for the product that gave rise to the claim.

SuperATV® will warranty only parts provided by SuperATV®. Any damage or problems with OEM housings, bearings, seals, or other manufacturers' products will not be covered by SuperATV®. SuperATV® parts and products are not warrantied if item was not installed properly, misused, or modified.

Installing, adding, modifying, or fabricating any factory or aftermarket product to your ATV/UTV may violate certain local, state, and federal laws. Be advised that laws vary depending on town, city, county, state, etc. Use of certain products on public streets, roads, or highways may be in violation law. The Buyer is solely and exclusively legally and personally responsible for any violation of the law by the installation or use of the product. You must abide by all local, state, and federal laws, including but not limited to vehicle safety, traffic laws, and ordinances. It is your responsibility to know the laws and how they apply to you.

The Buyer is responsible to fully understand the capability and limitations of his/her vehicle according to manufacturer specifications, warnings and instructions and agrees to hold SuperATV® harmless from any damage resulting from failure to adhere to such specifications, warnings and/ or instructions. The Buyer is also responsible to obey all applicable federal, state, and local laws and ordinances when operating his/her vehicle while using this product, and the Buyer agrees to hold SuperATV® harmless from any violation thereof.



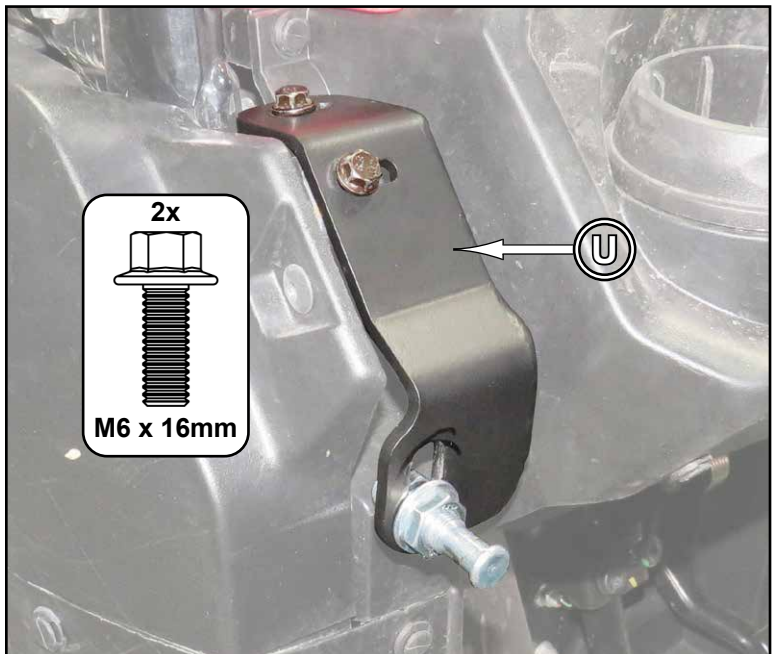
remove hardware and Door

(driver)



remove stock Latch

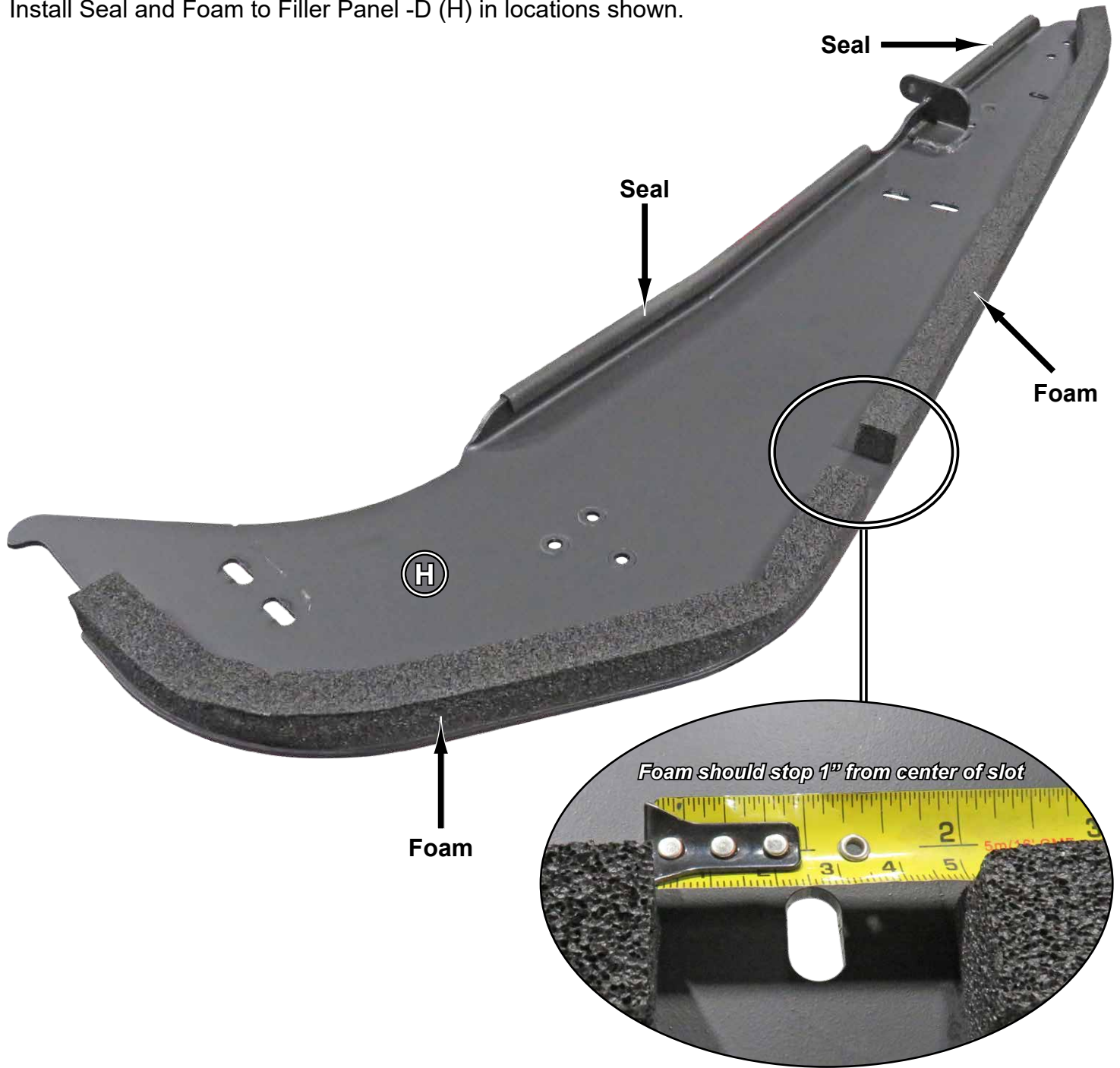
- Install Striker Bolt Assembly -D (U) to stock location with hardware shown; tighten.



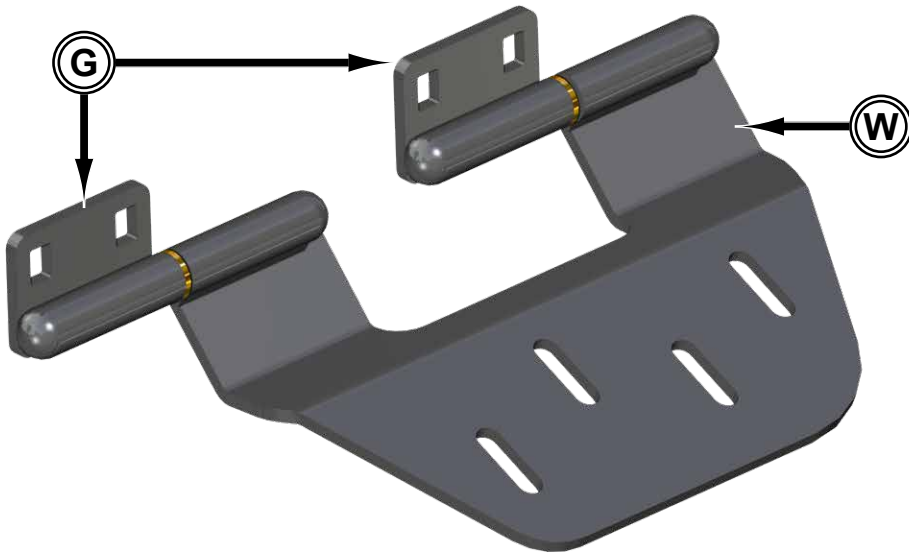
2x  
M6 x 16mm

U

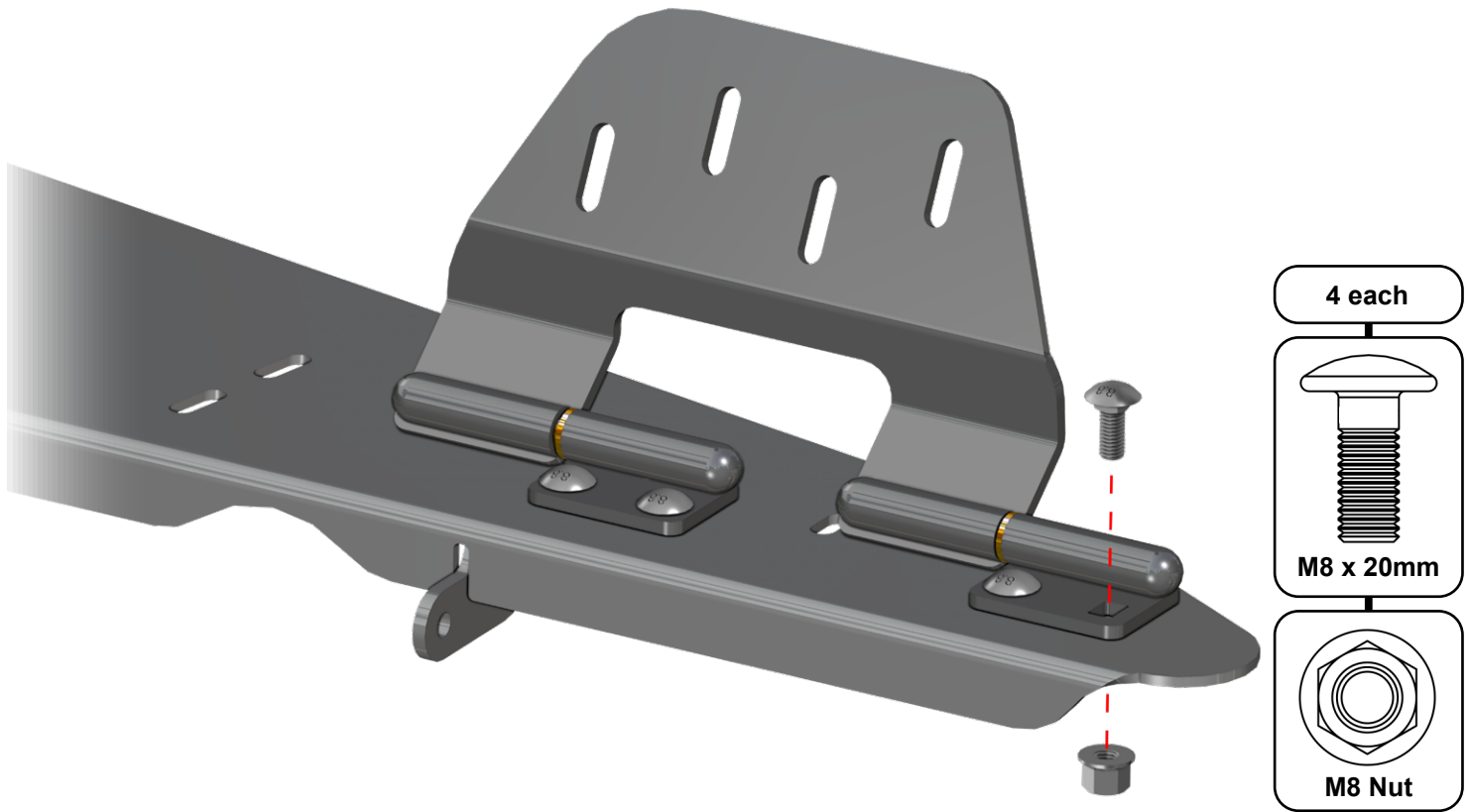
- Install Seal and Foam to Filler Panel -D (H) in locations shown.



- Insert Lower Hinge Pin Brackets - D (G) into Lower Hinge Mount - D (W).



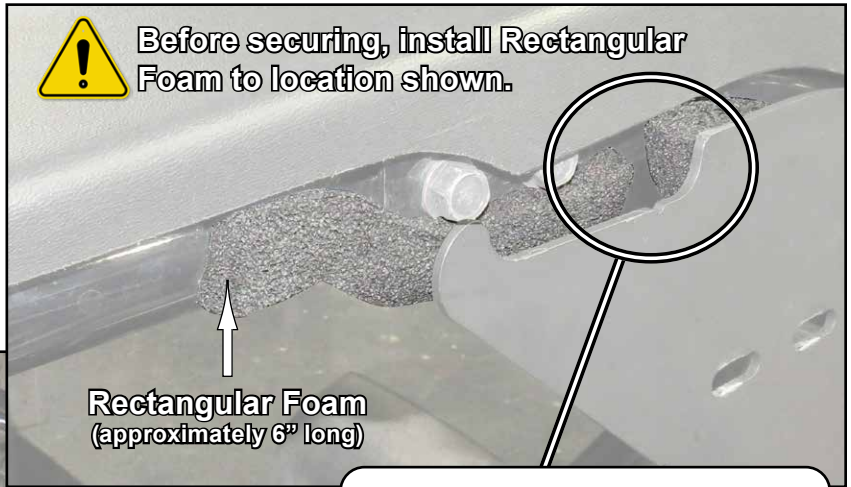
- Install assembly to Filler Panel -D (H) with hardware shown; tighten.



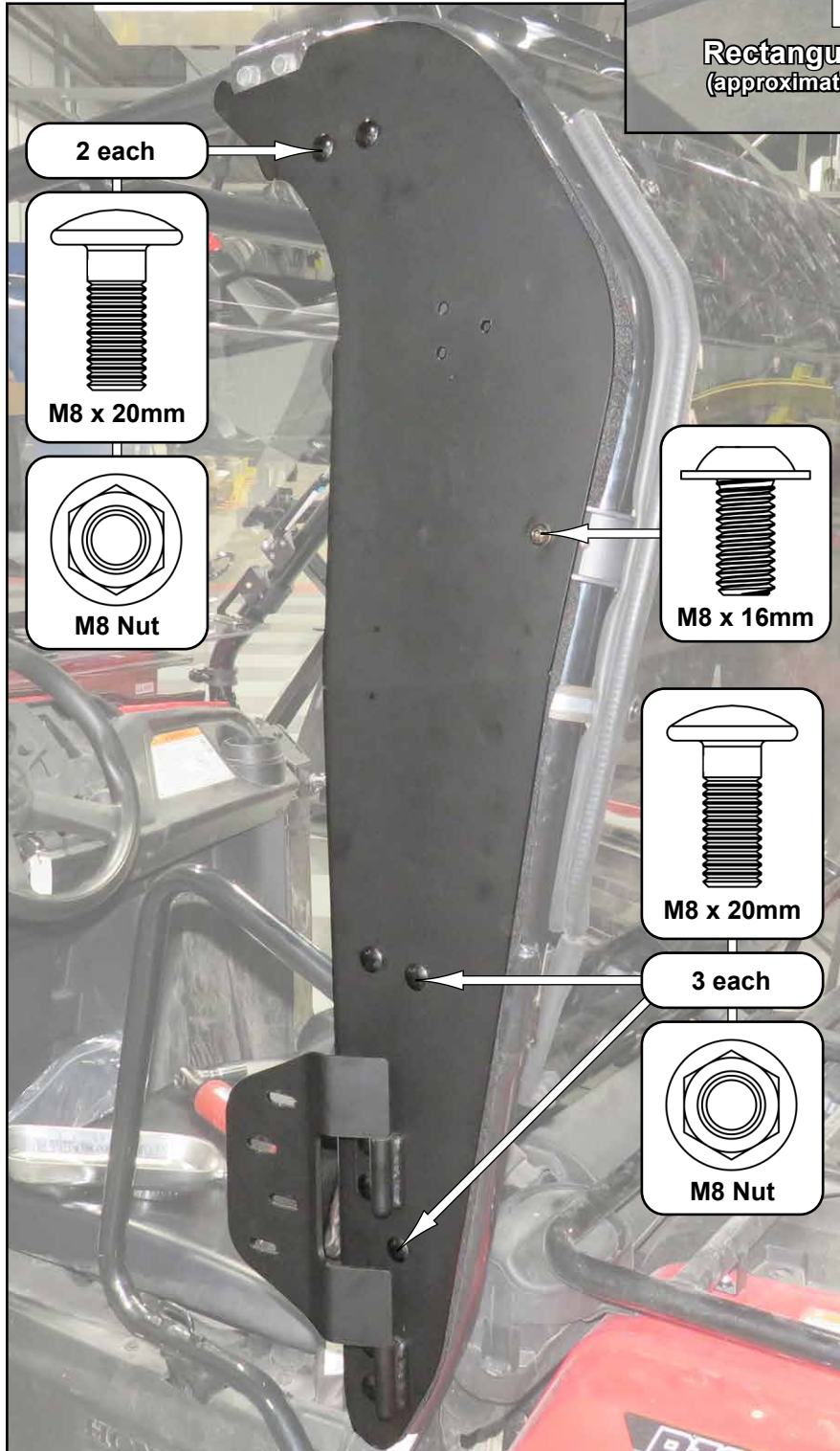
- Remove stock Nuts and install Lower Hinge Mount Support - D (K), Upper Hinge Mount Support - D (N), and Middle Hinge Mount Support (M) to Frame; tighten.
- Install Clamp; snug but not tight.



- Install Filler Panel assembly to Clamp and Hinge Mount Supports with hardware shown; tighten.
- Tighten Clamp to Frame.

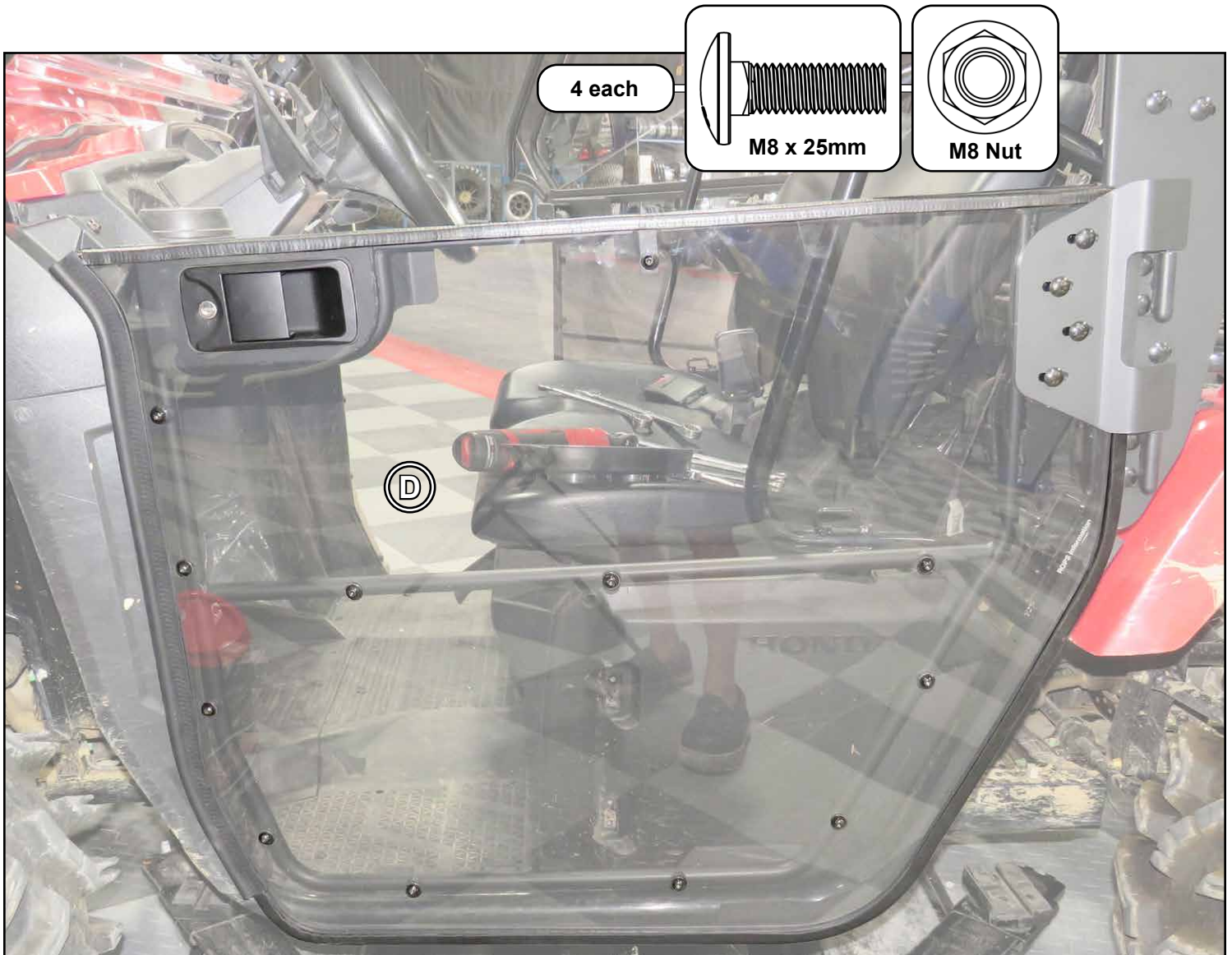


Rectangular Foam and Foam on Filler Panel assembly should touch or slightly overlap.



**SuperATV recommends an extra set of hands for this step.**

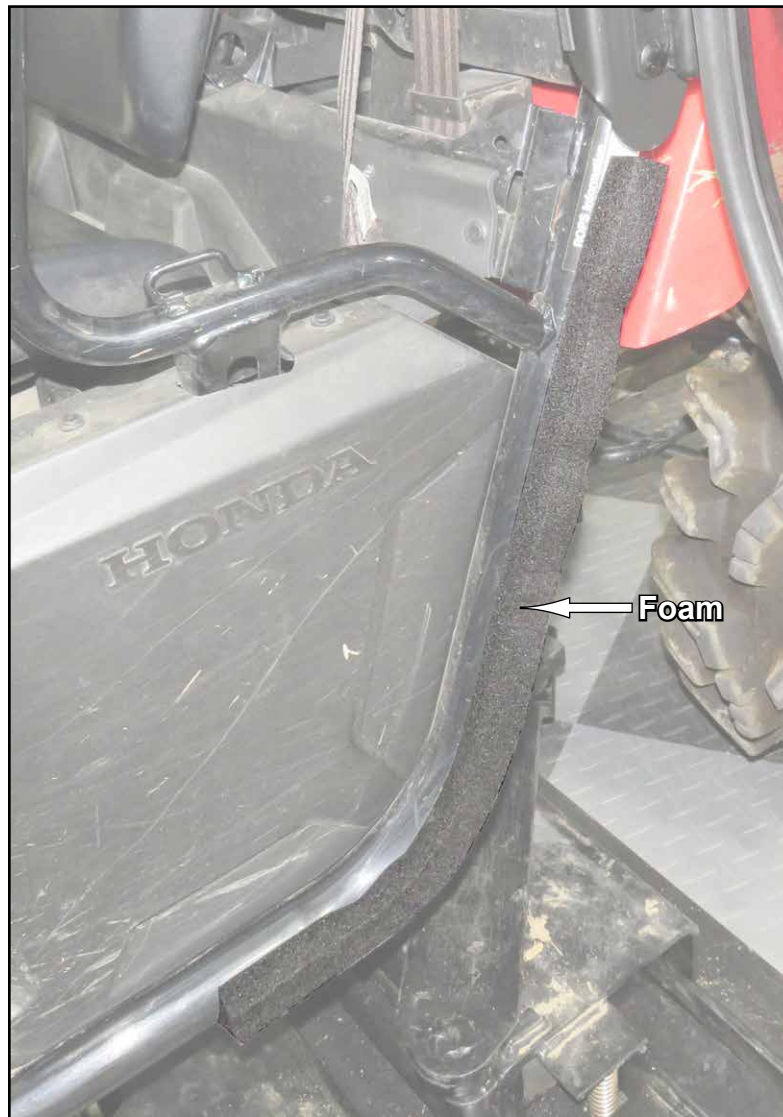
- Install Lower - D (D) to Lower Hinge Mount - D (W) with hardware shown; snug but not tight.



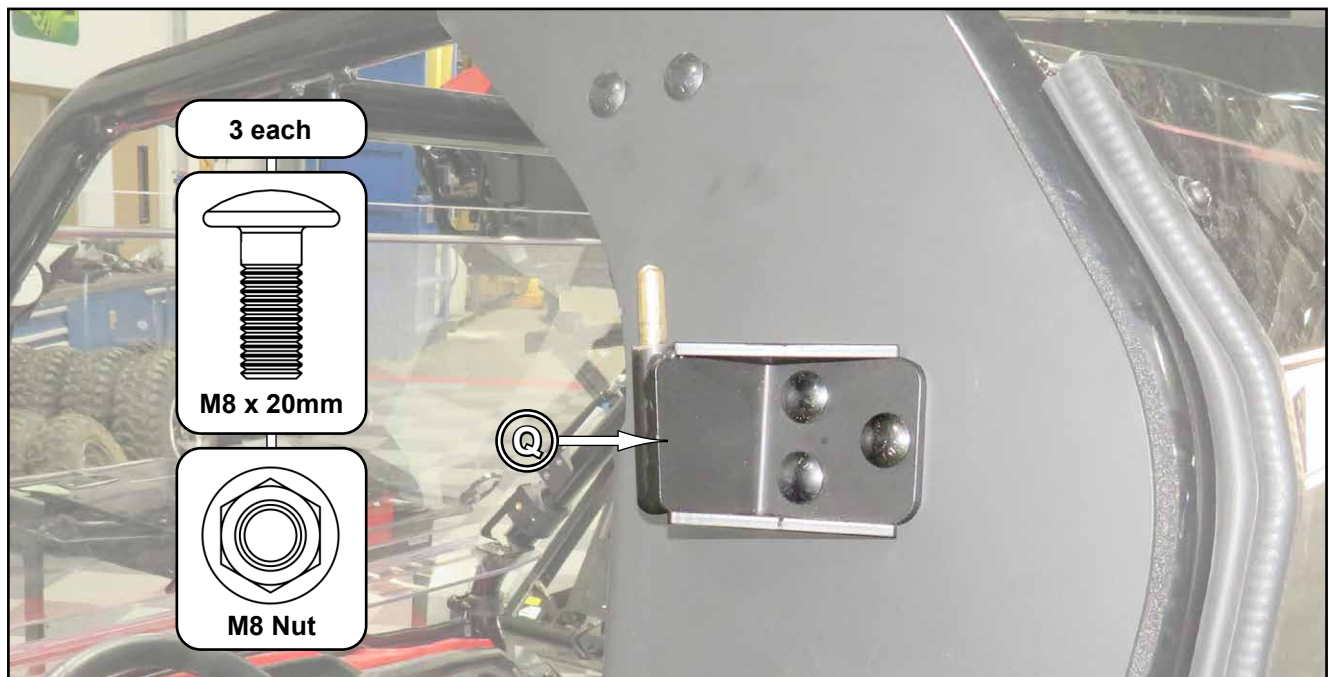
- Close Door and engage Latch.
- Align Door to machine; tighten *all* hardware.



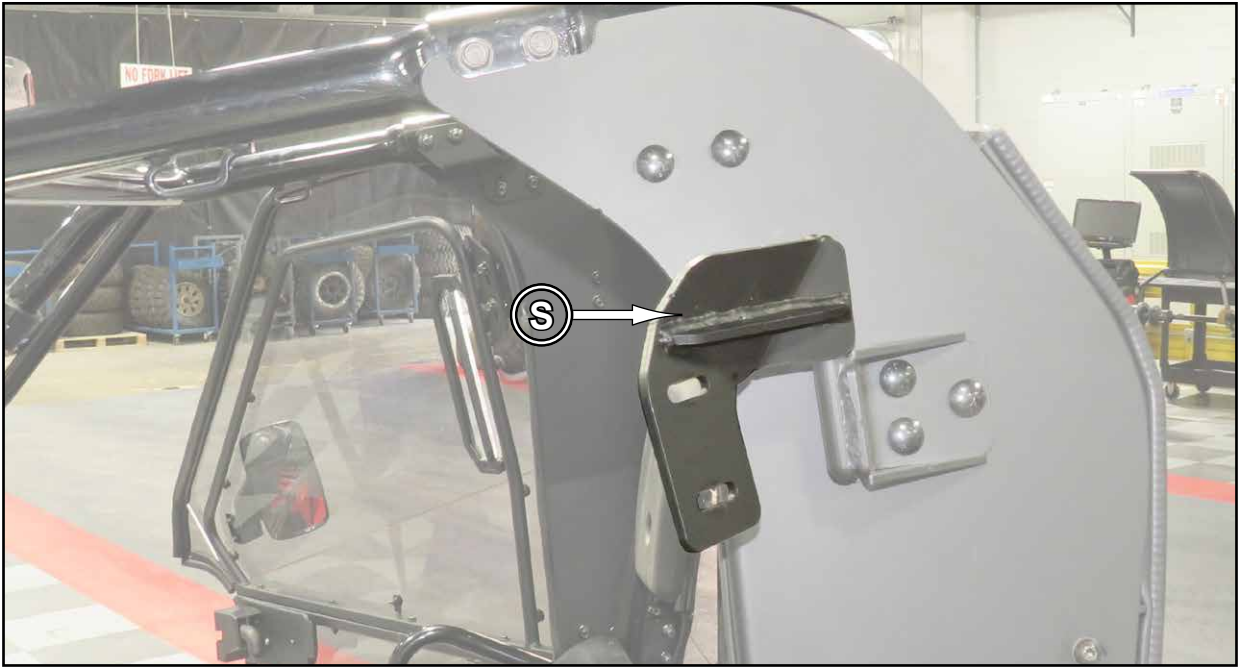
- Open Door and install a piece of Foam to Frame in location shown.



- Install Upper Hinge Pin Bracket - D (Q) to Filler Panel - D (H) with hardware shown; tighten.



- Install Upper Hinge Mount - D (S) onto Upper Hinge Pin Bracket - D (Q).

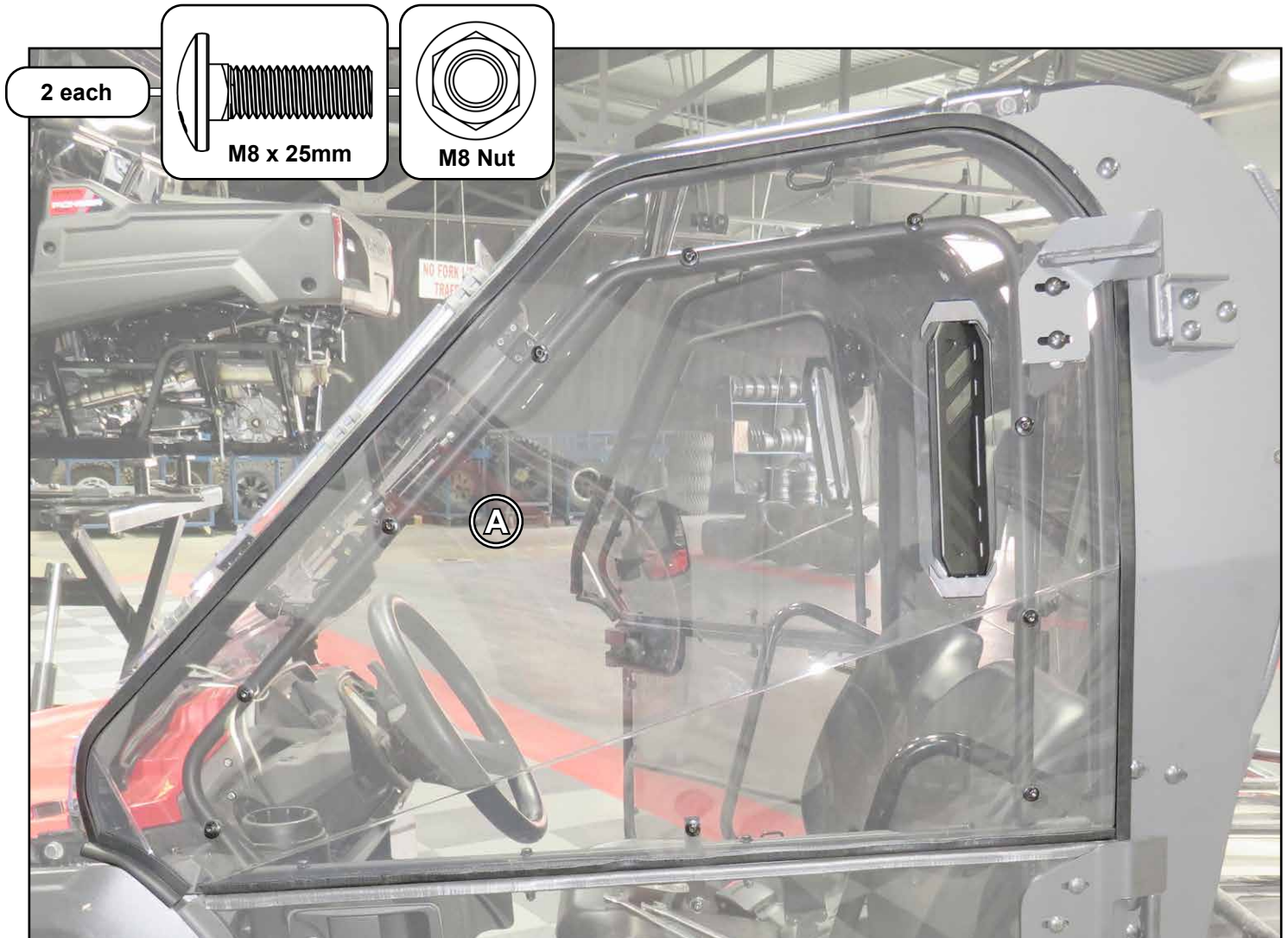


- Join Lower - D (D) to Upper - D (A) with hardware shown; tighten.



**SuperATV recommends an extra set of hands for this step.**

- Install Upper - D (A) to Upper Hinge Mount - D (S) with hardware shown; snug but not tight.



- Close and latch Door assembly.
- In some cases slight alignment may still be required.
- Align Door Assembly to machine and tighten **all** hardware.

- Install Strut to Filler Panel -D (H) and Lower - D (C) with hardware shown; tighten.

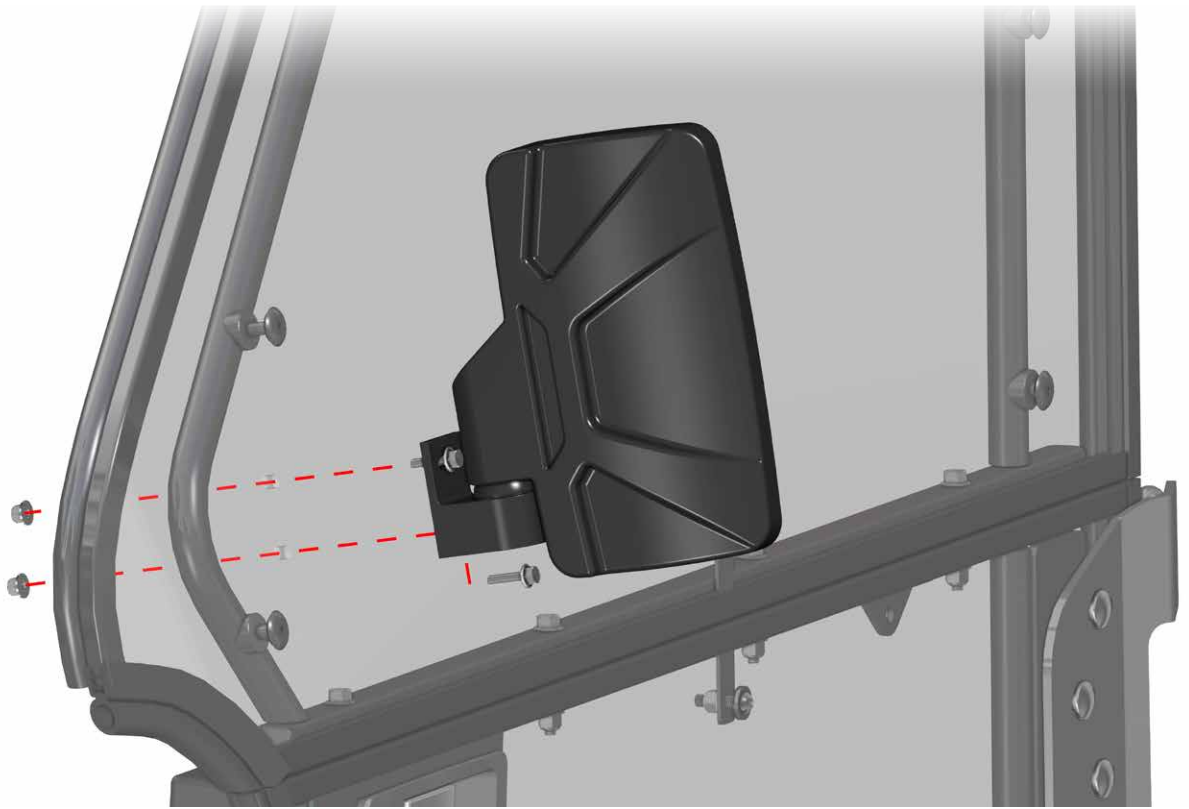
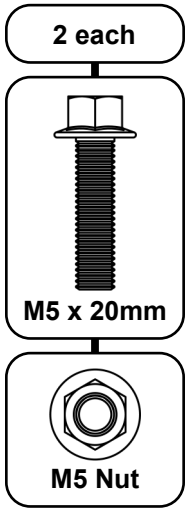


**Adjustment Points:**

- Adjust highlighted hardware when aligning Door assembly.



- Install Mirrors to Upper Doors with hardware shown; tighten.



- If SuperATV Flip Windshield is installed, mark Clamp locations onto Bulb Seal on Door.
- Open Door and trim away Bulb Seal.
- Repeat for opposite side.

