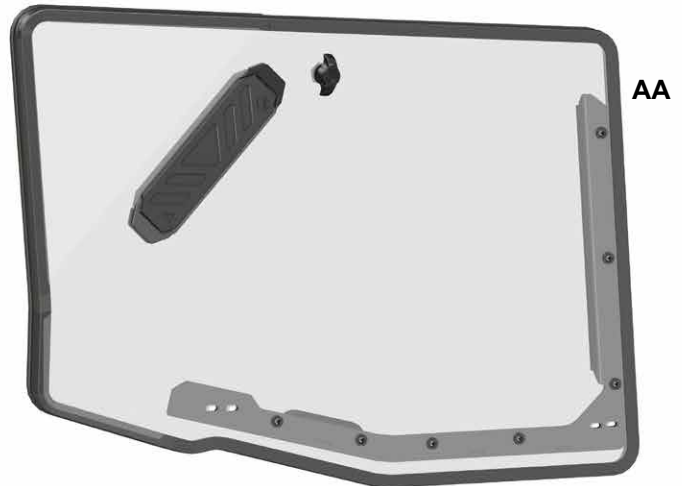
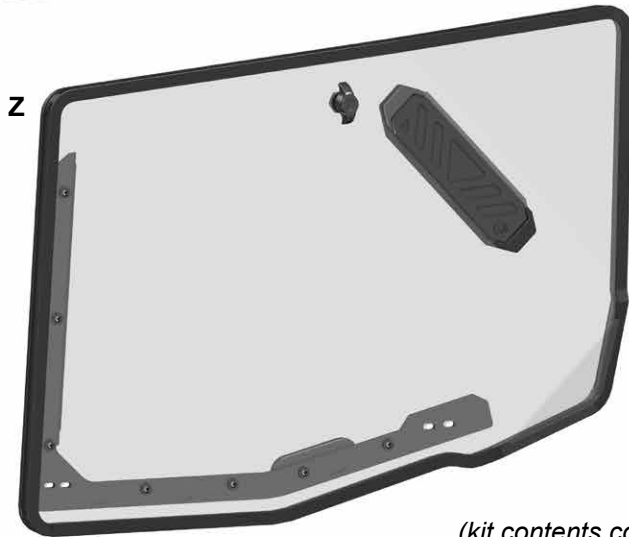
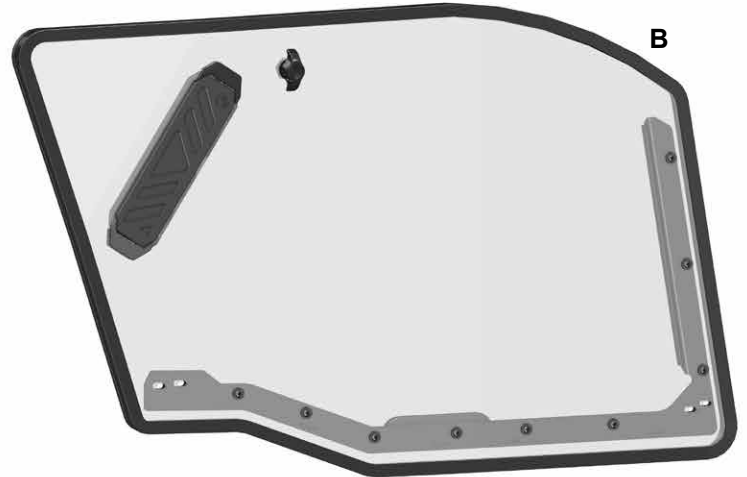
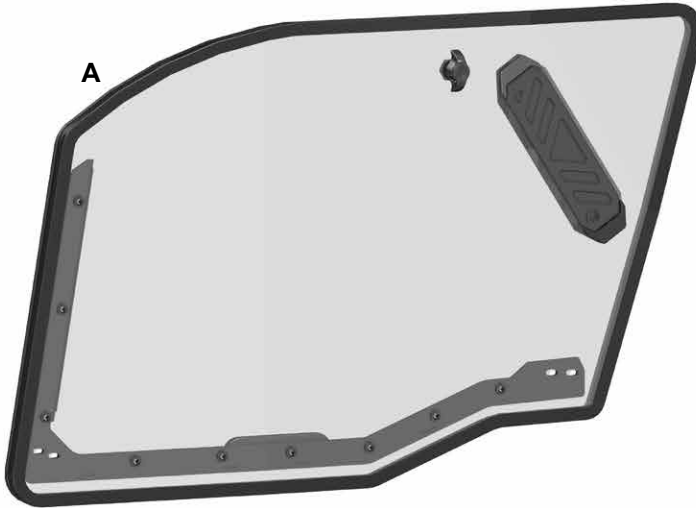


Item	Description	Item	Description
A	Front Left	Z	Rear Left
B	Front Right	AA	Rear Right

- Do not discard packaging until product has been successfully installed.



(kit contents continue on following pages)

Door Cleaning:

- Do not use Rain-X®, Plexus® or any other protector, wax, or polish.
 - Do not use window cleaning fluids (Windex, 409, etc) or any solvents (gasoline, denatured alcohol, acetone, etc).
 - Never use abrasive cleaners, abrasive pads, or gritty cloths.
 - Never use razor blades, scrapers, squeegees, brushes, etc.
1. Thoroughly rinse Doors to float off dirt and mud.
 2. Using a soft cloth, or microfiber cloth, clean Doors with warm water and a gentle detergent. Baby shampoo, rubbing alcohol, or hand washing soap can also be used.
 3. To prevent water spots, use a chamois to blot Doors dry.

Need help with your installation?



sales@superatv.com



www.superatv.com



1-855-743-3427



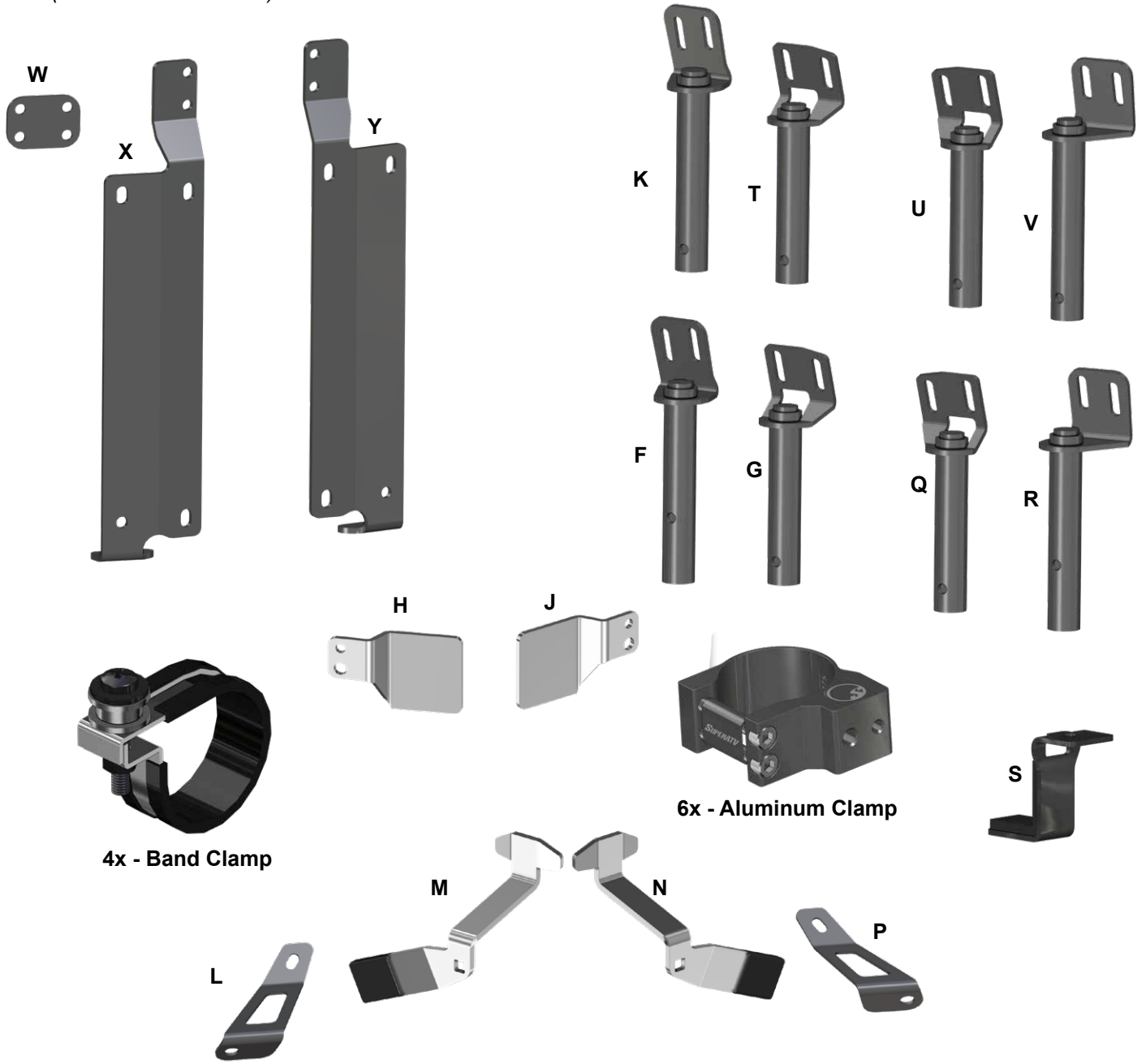
8:00am - 8:00pm EST M-Th
8:00am - 7:00pm EST Friday
9:00am - 2:00pm EST Saturday

Read instructions and view illustrations before beginning.

Thank You
For Choosing

SUPERATV.COM®

(kit contents continued)



4x - Band Clamp

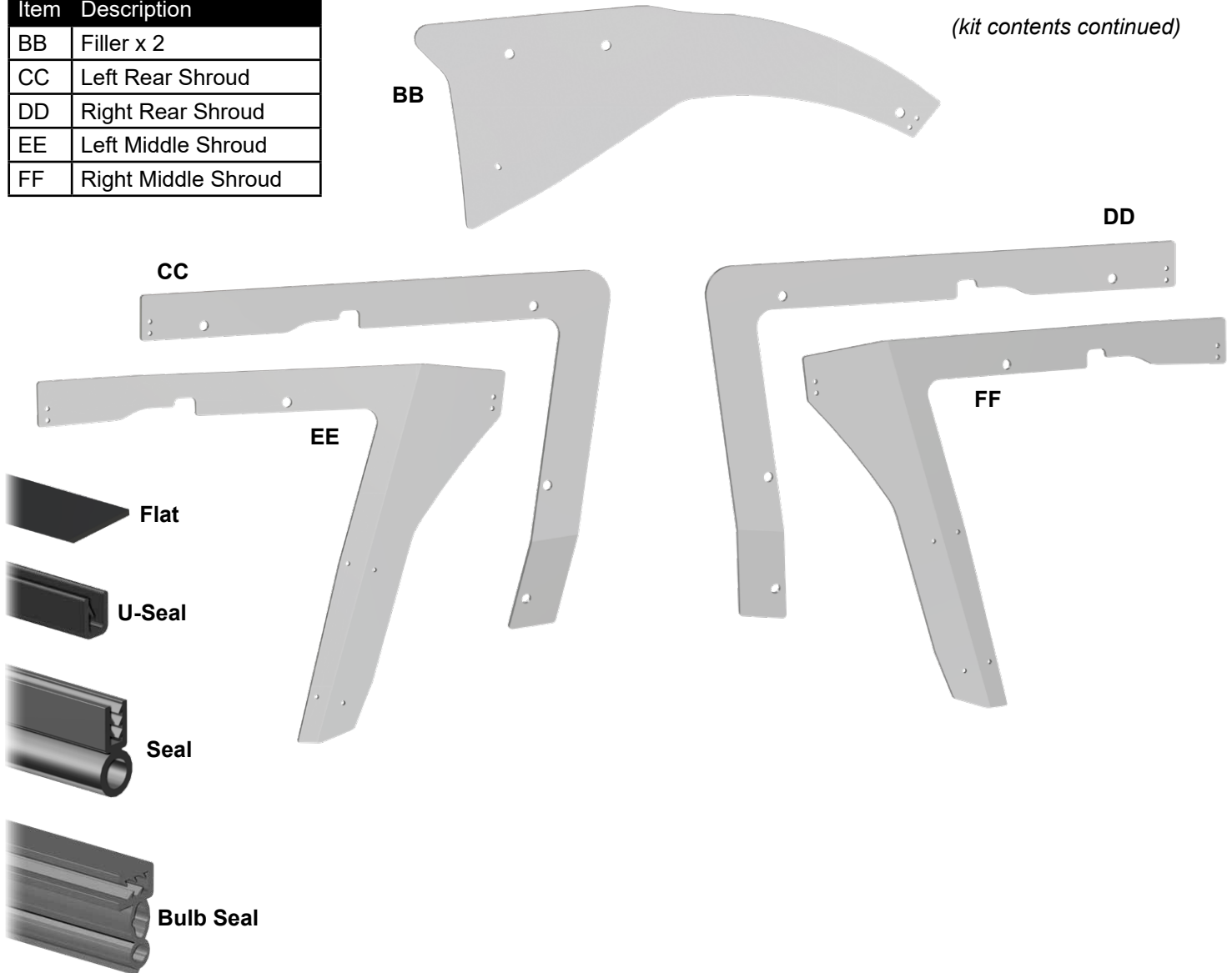
6x - Aluminum Clamp

Item	Description
C	Shroud Plate x 4
F	Front Door Foreward Mount - L
G	Front Door Rearward Mount - L
H	Left Catch x 2
J	Right Catch x 2
K	Rear Door Rearward Mount - L
L	Left Filler Plate Bracket
M	Left Latch x 2
N	Right Latch x 2
P	Right Filler Plate Bracket

Item	Description
Q	Front Door Rearward Mount - R
R	Front Door Foreward Mount - R
S	Clamp x 12
T	Rear Door Rearward Mount - L
U	Rear Door Rearward Mount - R
V	Rear Door Foreward Mount - R
W	Bolt Plate x 4
X	Shroud Bracket - L
Y	Shroud Bracket - R

Item	Description
BB	Filler x 2
CC	Left Rear Shroud
DD	Right Rear Shroud
EE	Left Middle Shroud
FF	Right Middle Shroud

(kit contents continued)



Liability Statement

SuperATV's® products are designed to best fit user's ATV/UTV under stock conditions. Adding, modifying, or fabricating any factory or aftermarket parts will void any warranty provided by SuperATV® and is not recommended. SuperATV's® products could interfere with other aftermarket accessories. If user has aftermarket products on machine, contact SuperATV® to verify that they will work together.

Although SuperATV® has thousands of satisfied customers, user should be aware that installing lift kits, long travel, or suspension kits, tires, etc. will change the ride of machine and may increase maintenance and part wear. Operating any off-road machine while, or after, consuming alcohol and/or drugs increases risk of bodily harm or death. No warranty or representation is made as to this product's ability to protect user from severe injury or death. SuperATV® urges operators and occupants to wear a helmet and appropriate riding gear at all times.

By purchasing and installing SuperATV® products, user agrees that should damages occur, SuperATV® will not be held responsible for loss of time, use, labor fees, replacement parts, or freight charges. SuperATV®, nor any 3rd party, will not be held responsible for any direct, indirect, incidental, special, or consequential damages that result from any product purchased from SuperATV®. The total liability of seller to user for all damages, losses, and causes of action, if any, shall not exceed the total purchase price paid for the product that gave rise to the claim.

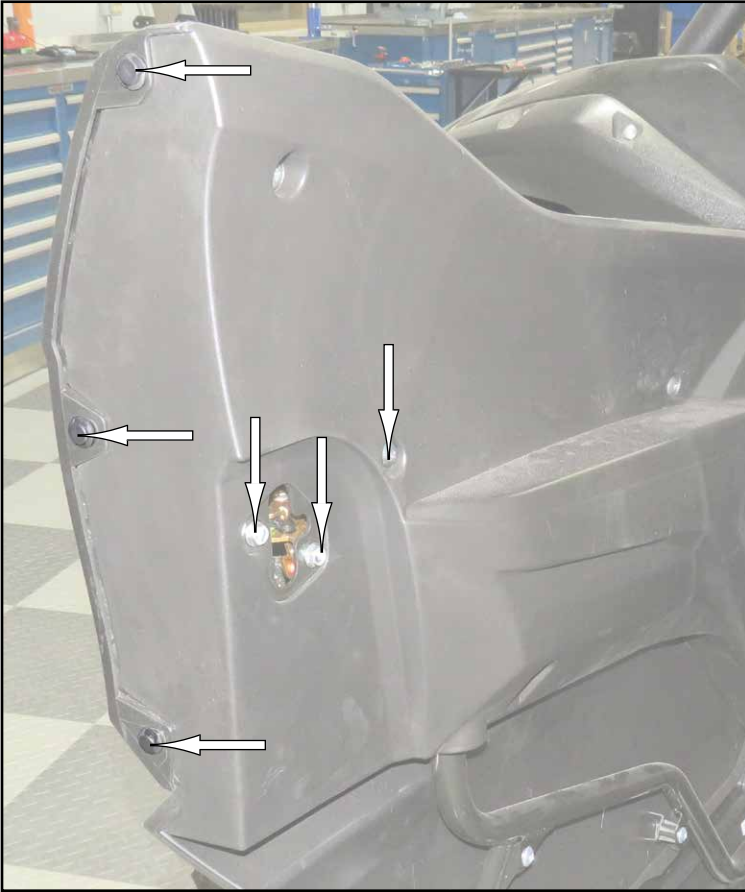
SuperATV® will warranty only parts provided by SuperATV®. Any damage or problems with OEM housings, bearings, seals, or other manufacturers' products will not be covered by SuperATV®. SuperATV® parts and products are not warrantied if item was not installed properly, misused, or modified.

Installing, adding, modifying, or fabricating any factory or aftermarket product to your ATV/UTV may violate certain local, state, and federal laws. Be advised that laws vary depending on town, city, county, state, etc. Use of certain products on public streets, roads, or highways may be in violation law. The Buyer is solely and exclusively legally and personally responsible for any violation of the law by the installation or use of the product. You must abide by all local, state, and federal laws, including but not limited to vehicle safety, traffic laws, and ordinances. It is your responsibility to know the laws and how they apply to you.

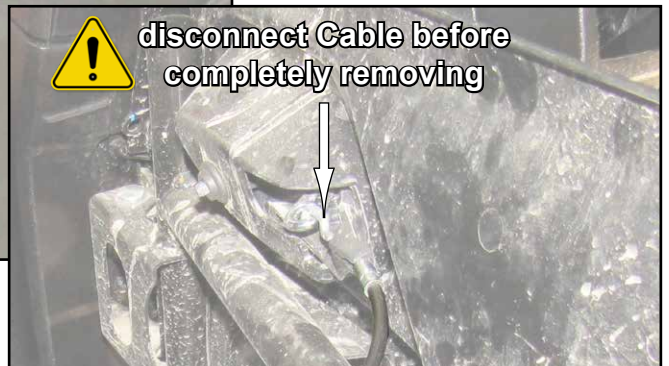
The Buyer is responsible to fully understand the capability and limitations of his/her vehicle according to manufacturer specifications, warnings and instructions and agrees to hold SuperATV® harmless from any damage resulting from failure to adhere to such specifications, warnings and/ or instructions. The Buyer is also responsible to obey all applicable federal, state, and local laws and ordinances when operating his/her vehicle while using this product, and the Buyer agrees to hold SuperATV® harmless from any violation thereof.

front driver side shown

Remove stock Push Pins and hardware shown.

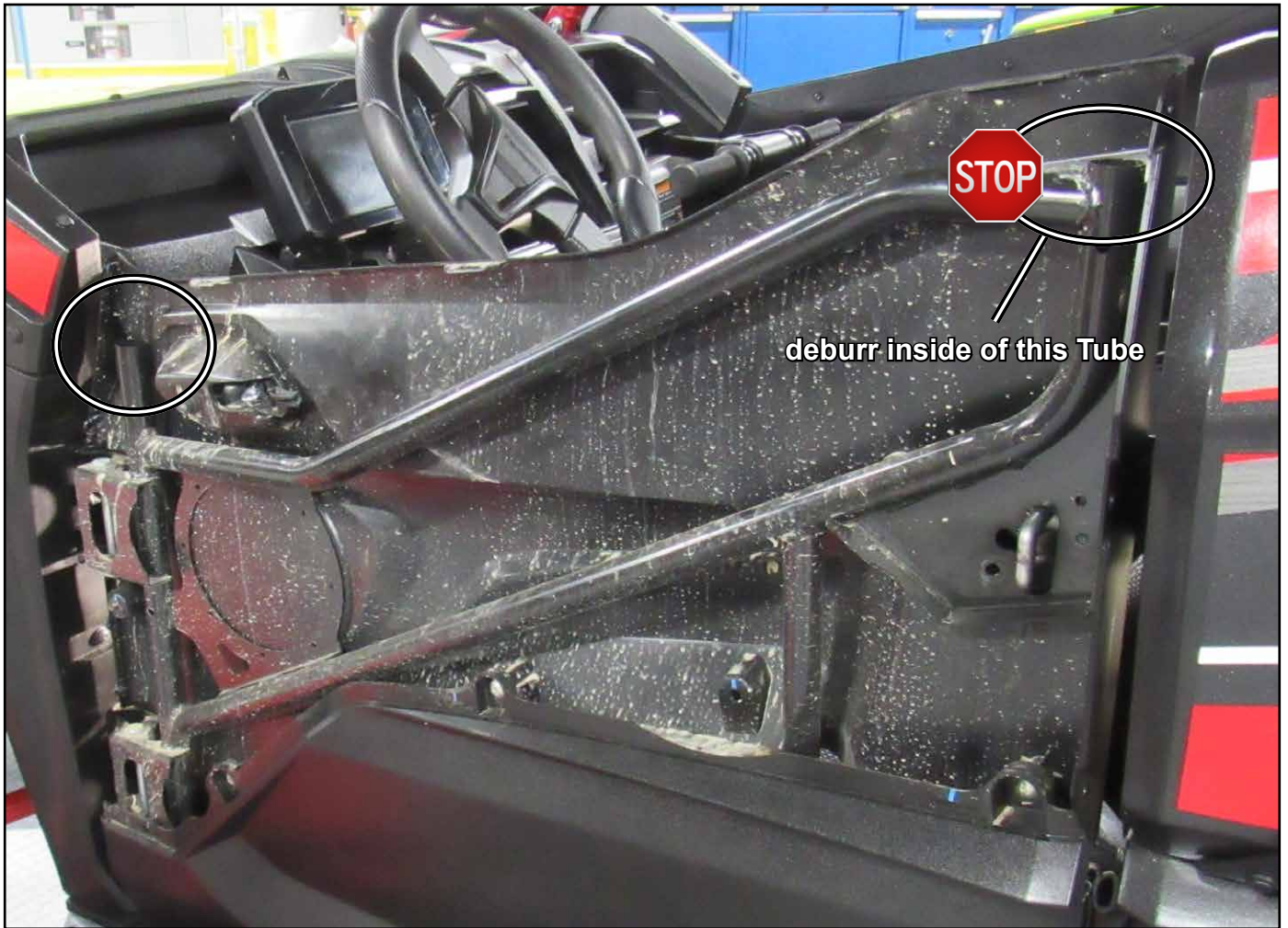


- Remove Door Cover.



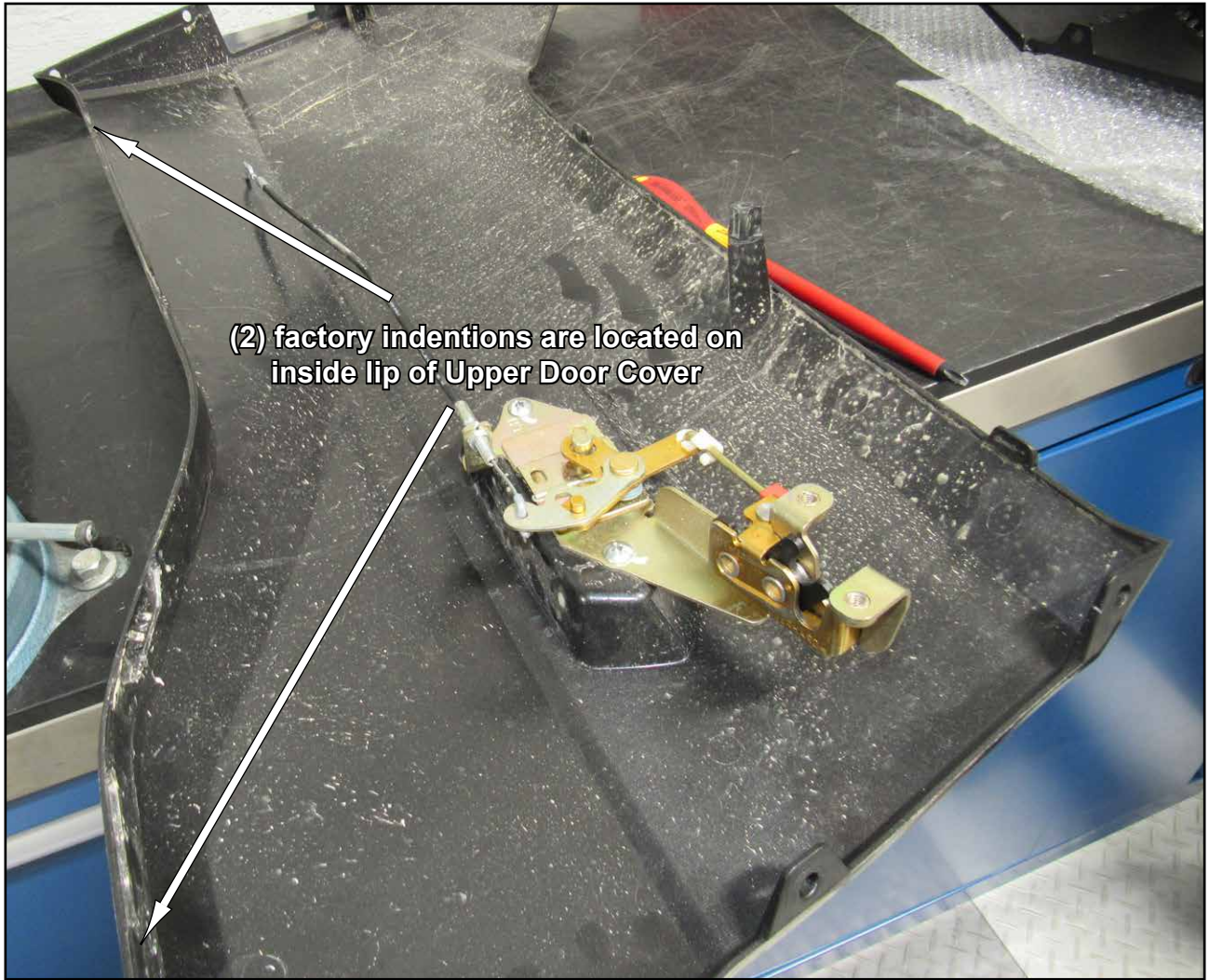
front driver side shown

Note: Front Door Foreward Mount - L (F) and Front Door Rearward Mount - L (G) will install into locations shown.



Insert Door Mount and confirm that enough material has been removed.
Remove additional material as needed.

front driver side shown



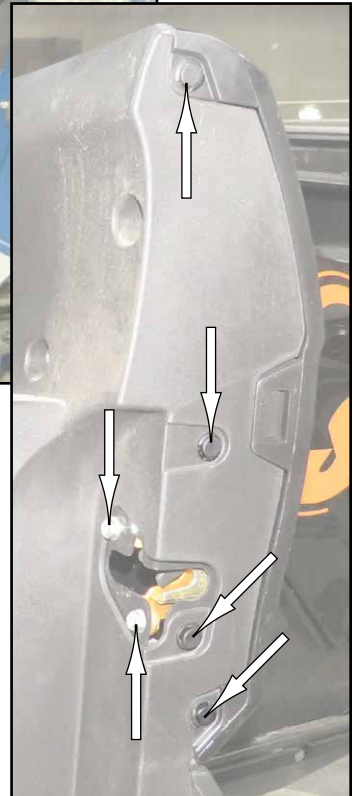
Use a hole saw or step drill bit and cut (2) Ø1" holes through plastic.



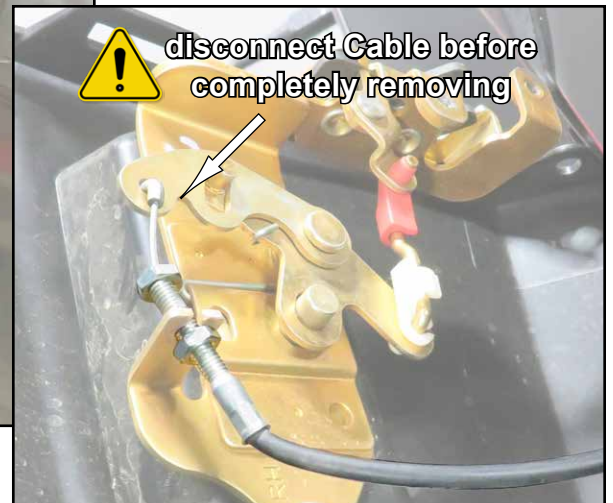
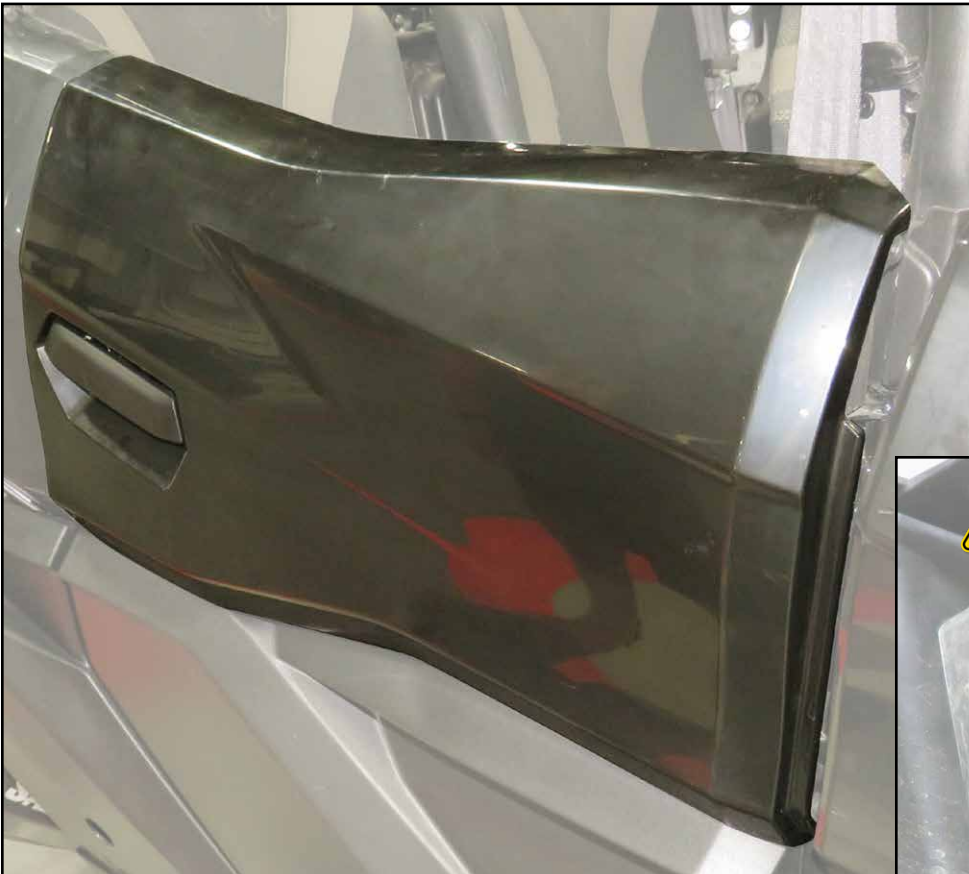
Reinstall Door components to machine.

rear passenger side shown

Remove stock Push Pins and hardware shown.

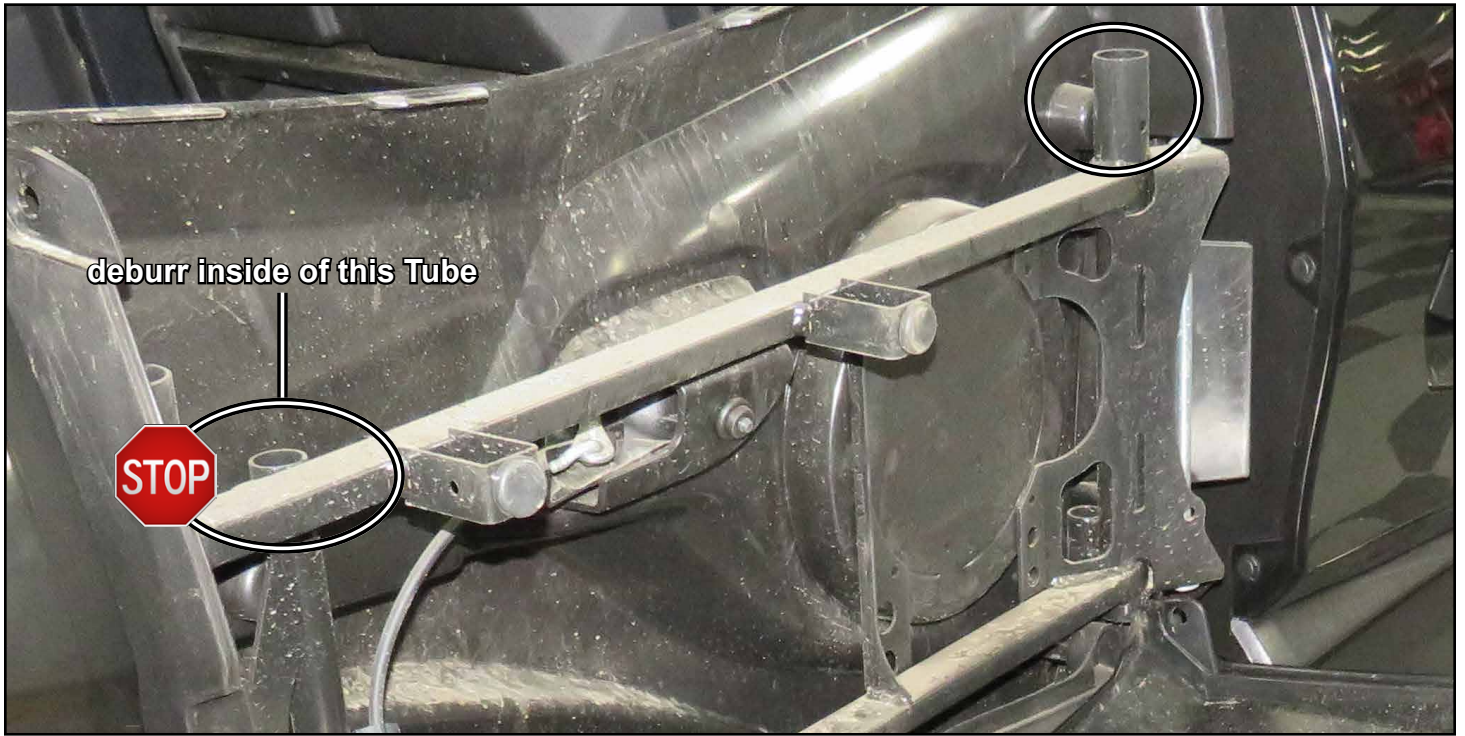


- Remove Door Cover.



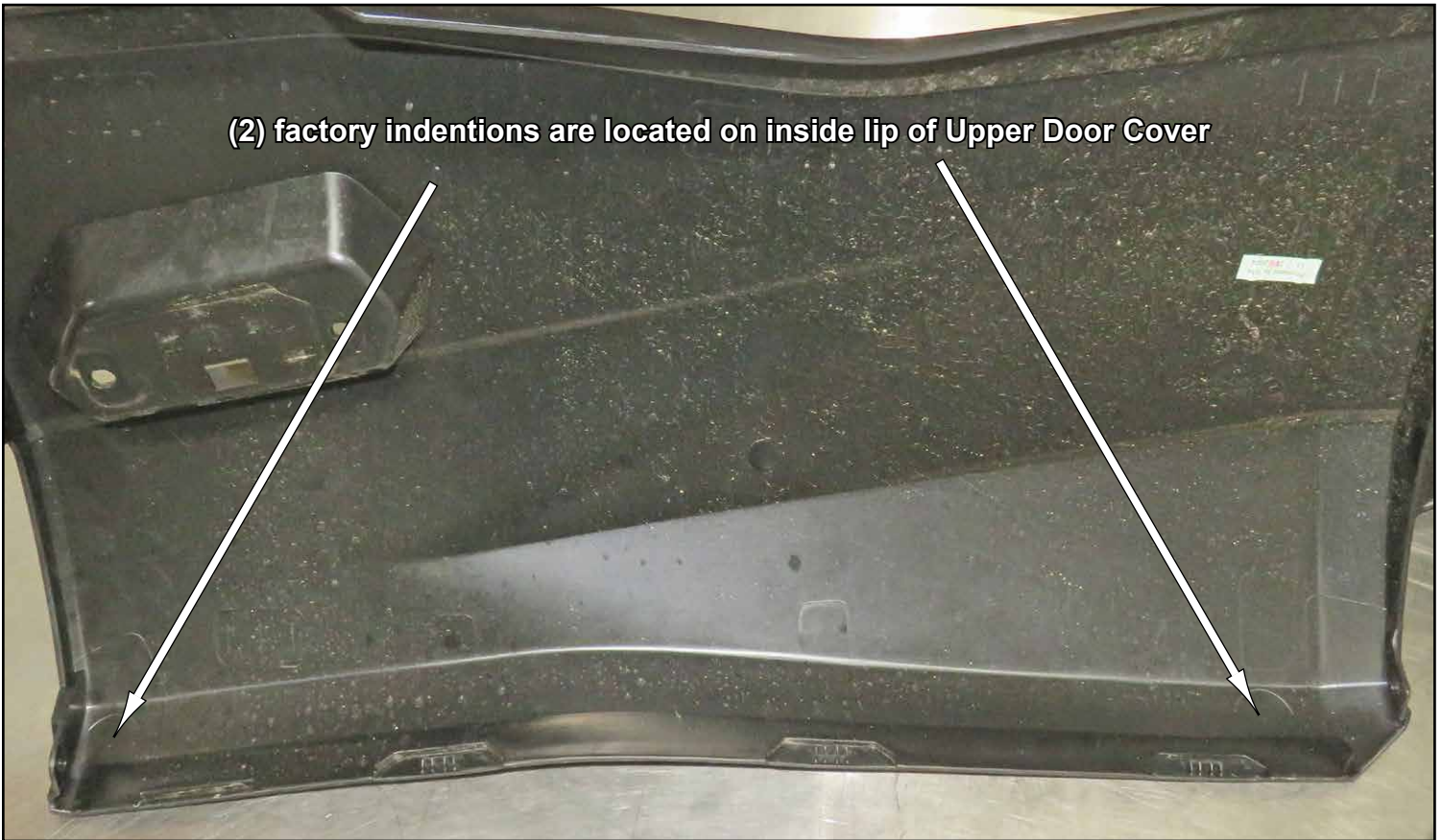
rear passenger side shown

Note: Rear Door Rearward Mount - R (U) and Rear Door Foreward Mount - R (V)
will install into locations shown.



Insert Door Mount and confirm that enough material has been removed.
Remove additional material as needed.

rear passenger side shown

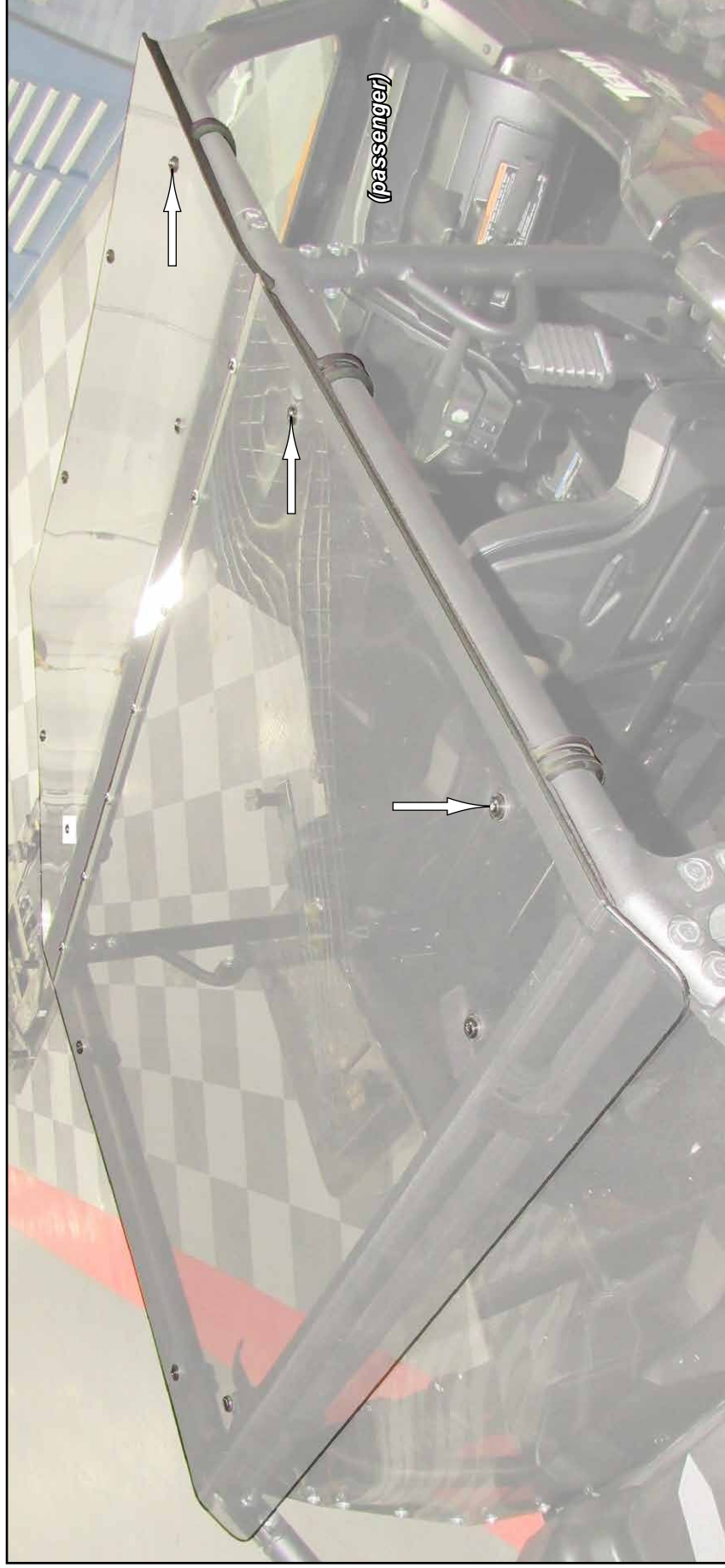


Use a hole saw or step drill bit and cut (2) Ø1" holes through plastic.



Reinstall Door components to machine.

- If SuperATV Roof is installed, remove Clamp and Clamp hardware shown from both sides.





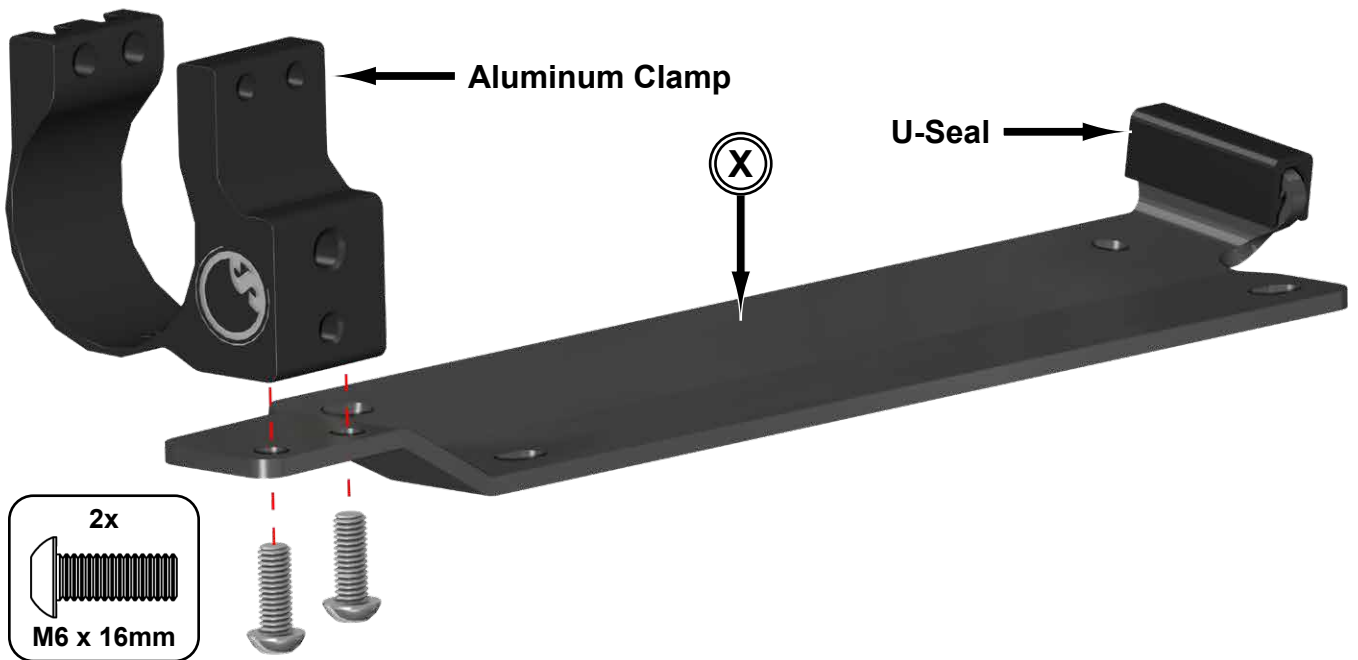
disassemble Band Clamp

set aside components

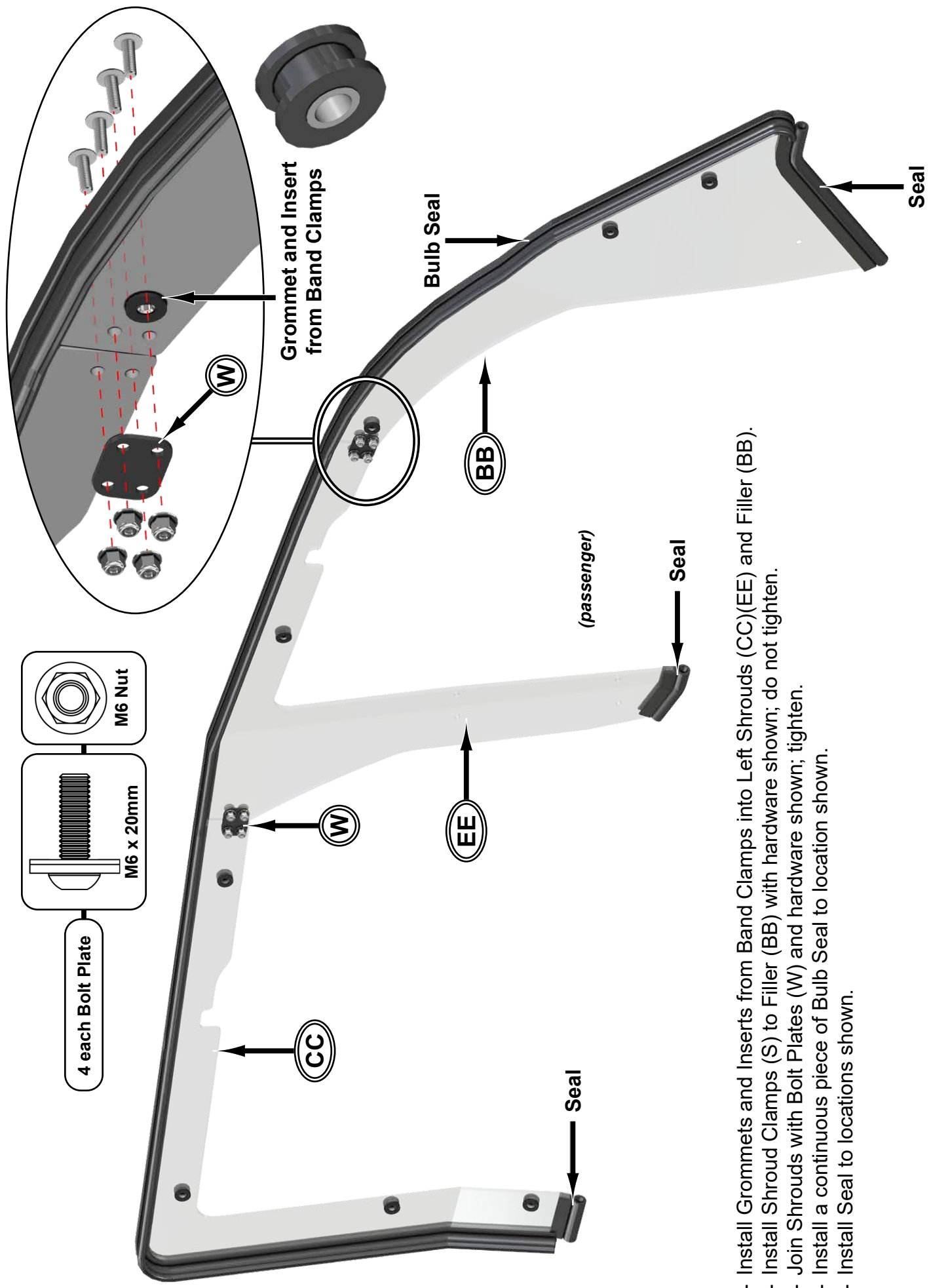


remove Cover and Bolts

- Install Aluminum Clamp and U-Seal to Shroud Bracket - L (X) with hardware shown; tighten.

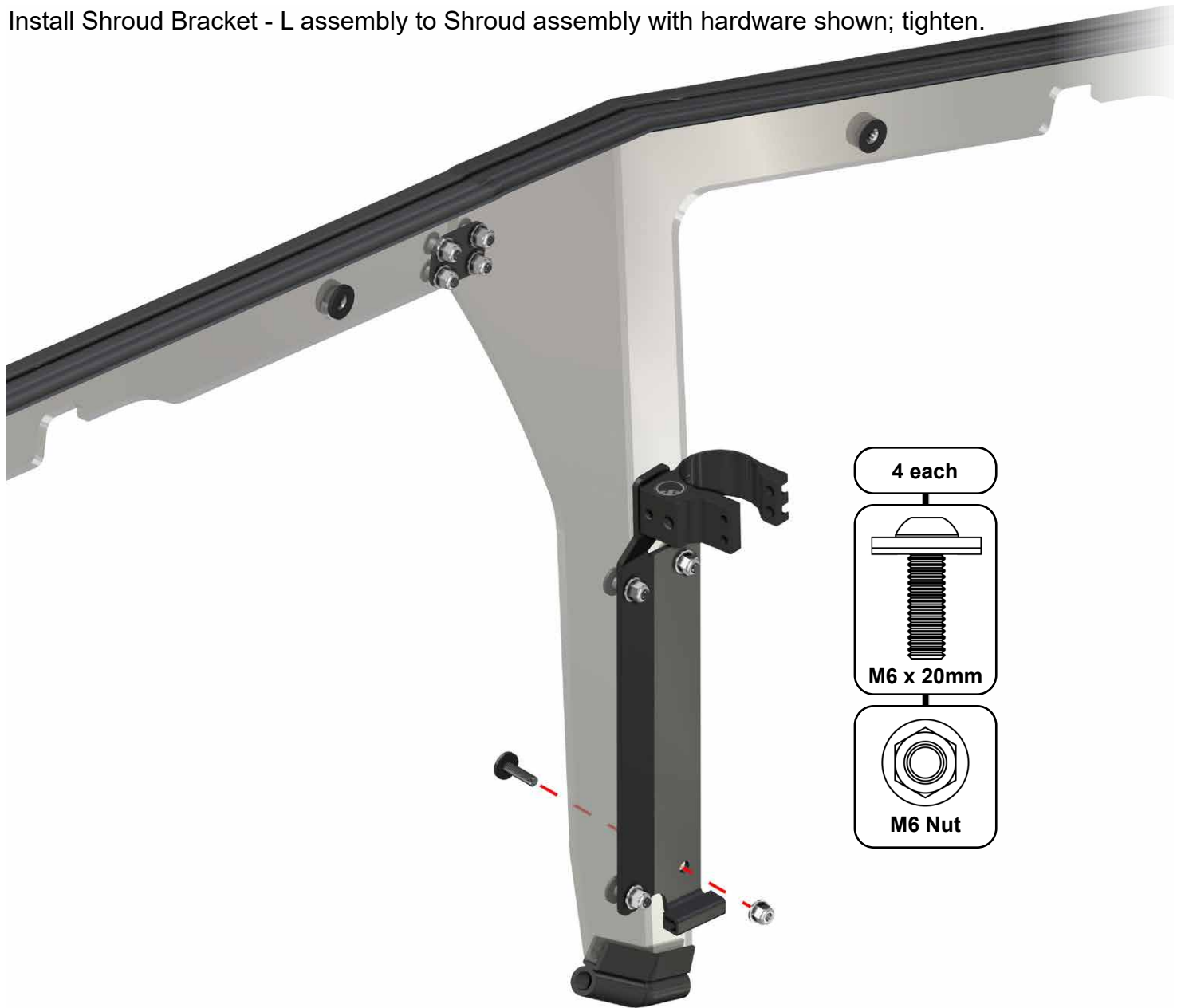


- Repeat for Shroud Bracket - R (Y).



- Install Grommets and Inserts from Band Clamps into Left Shrouds (CC)(EE) and Filler (BB).
- Install Shroud Clamps (S) to Filler (BB) with hardware shown; do not tighten.
- Join Shrouds with Bolt Plates (W) and hardware shown; tighten.
- Install a continuous piece of Bulb Seal to location shown.
- Install Seal to locations shown.

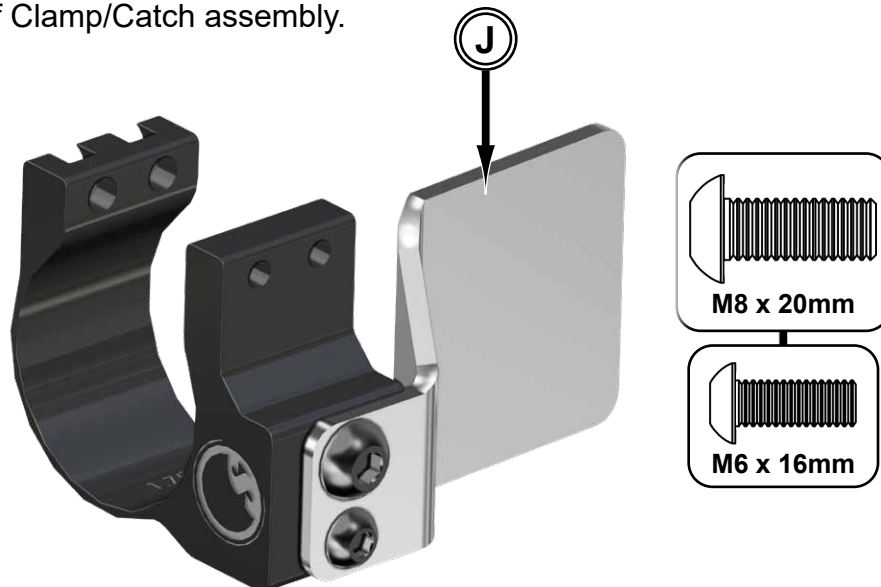
- Install Shroud Bracket - L assembly to Shroud assembly with hardware shown; tighten.

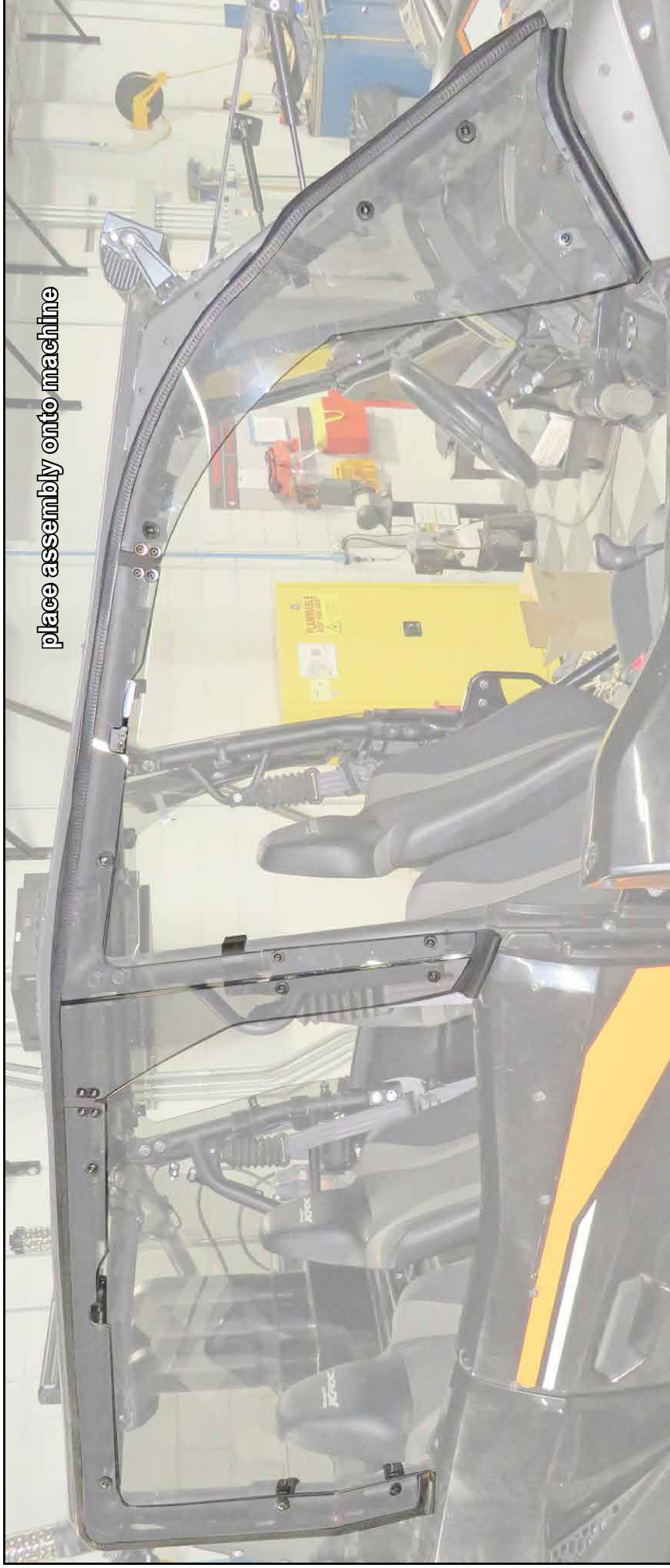


- Install Right Catch (J) to Aluminum Clamp with hardware shown; tighten.

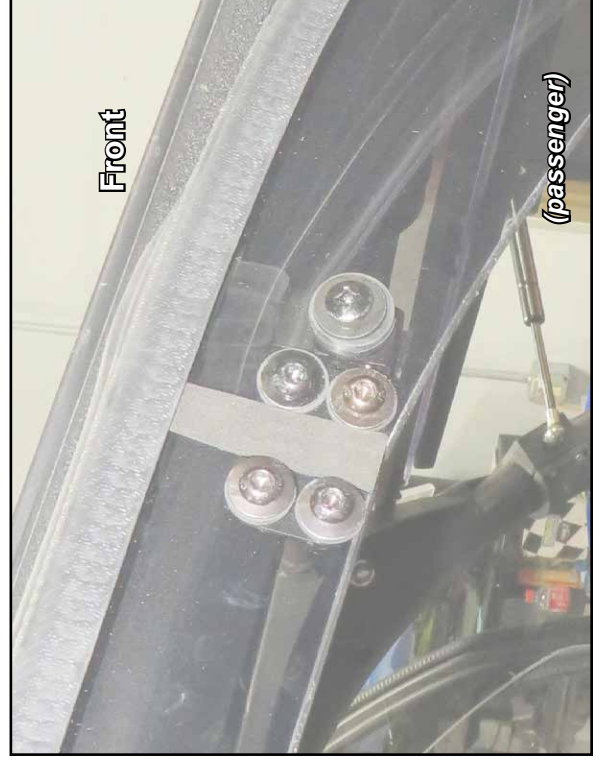
- Create one more of Clamp/Catch assembly.

- Set aside.

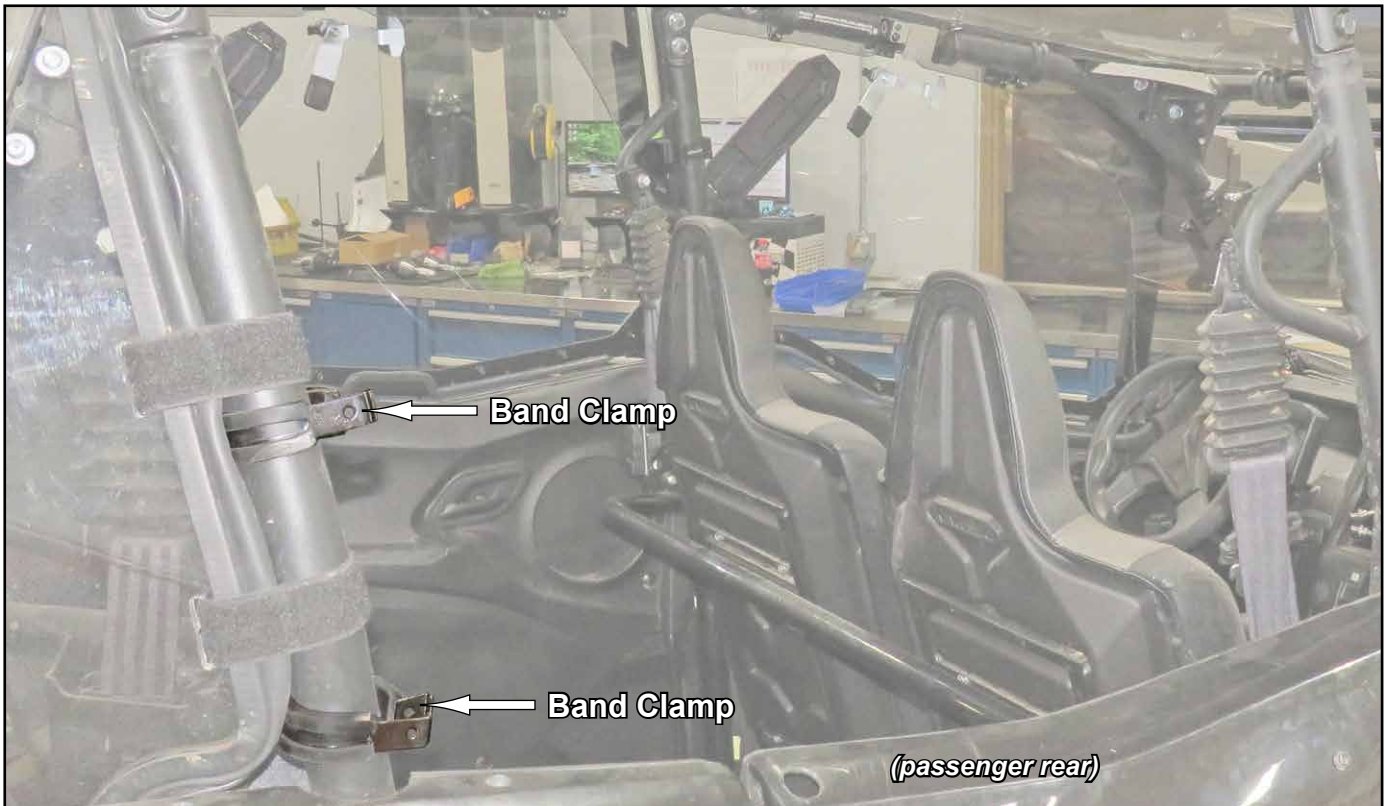




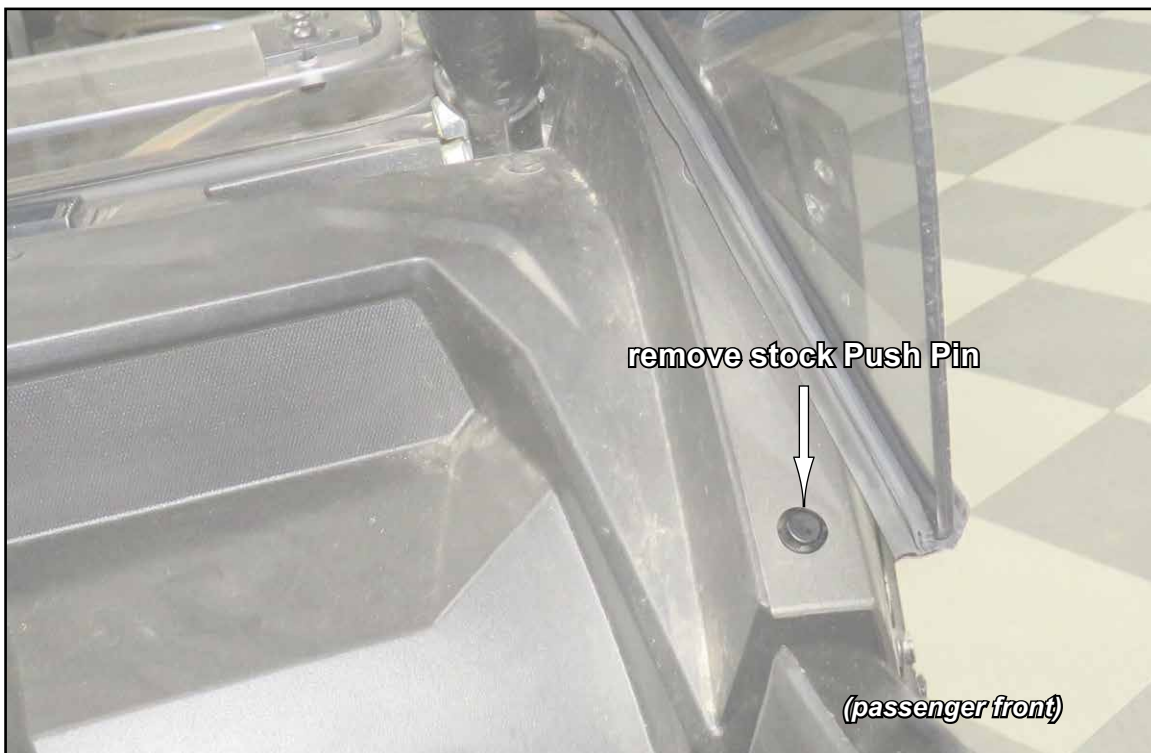
- Install Flat to joints in Shroud assembly.



- Install Band Clamps around Cage in locations shown.



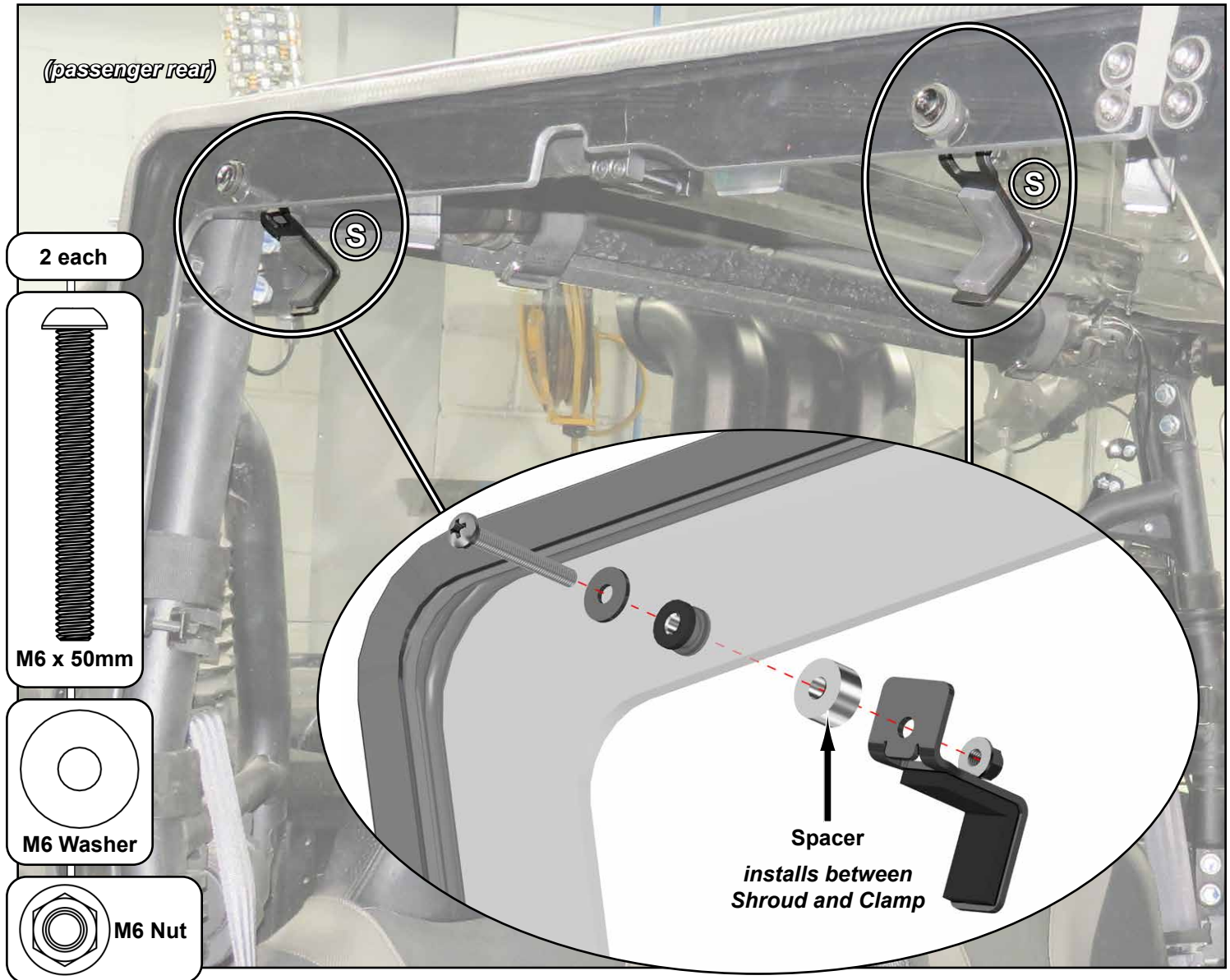
- Remove stock Push Pin and install Right Filler Plate Bracket (P) with stock Push Pin.
- Secure to Shroud assembly with hardware shown; do not tighten.



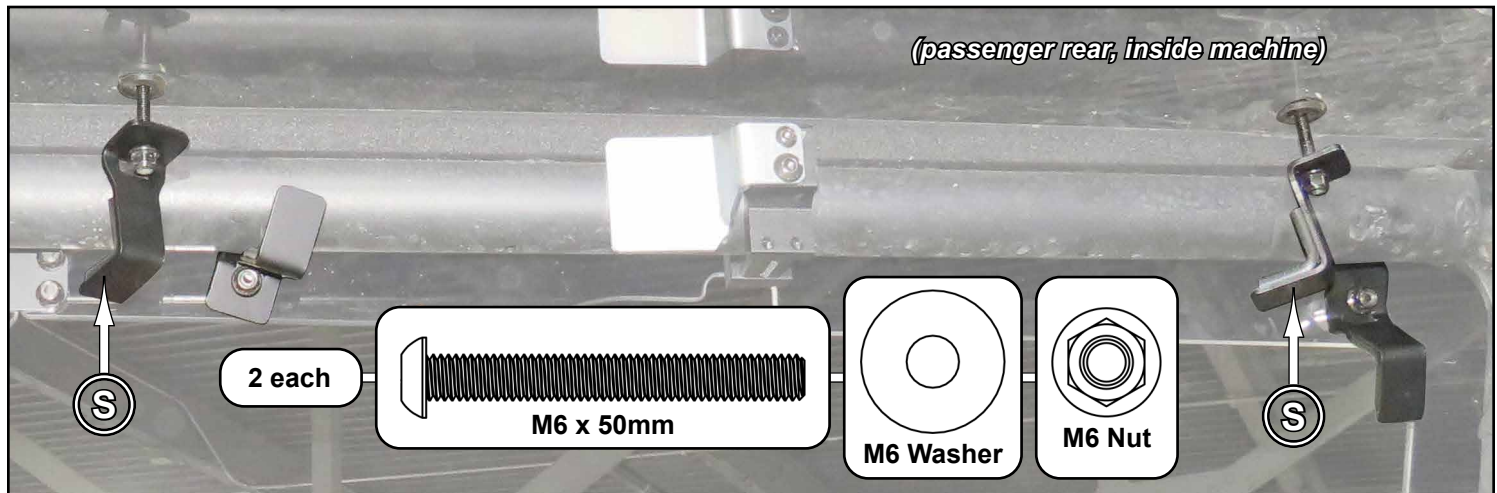
- Install Aluminum Clamps to Cage in locations shown; hardware snug but not tight.



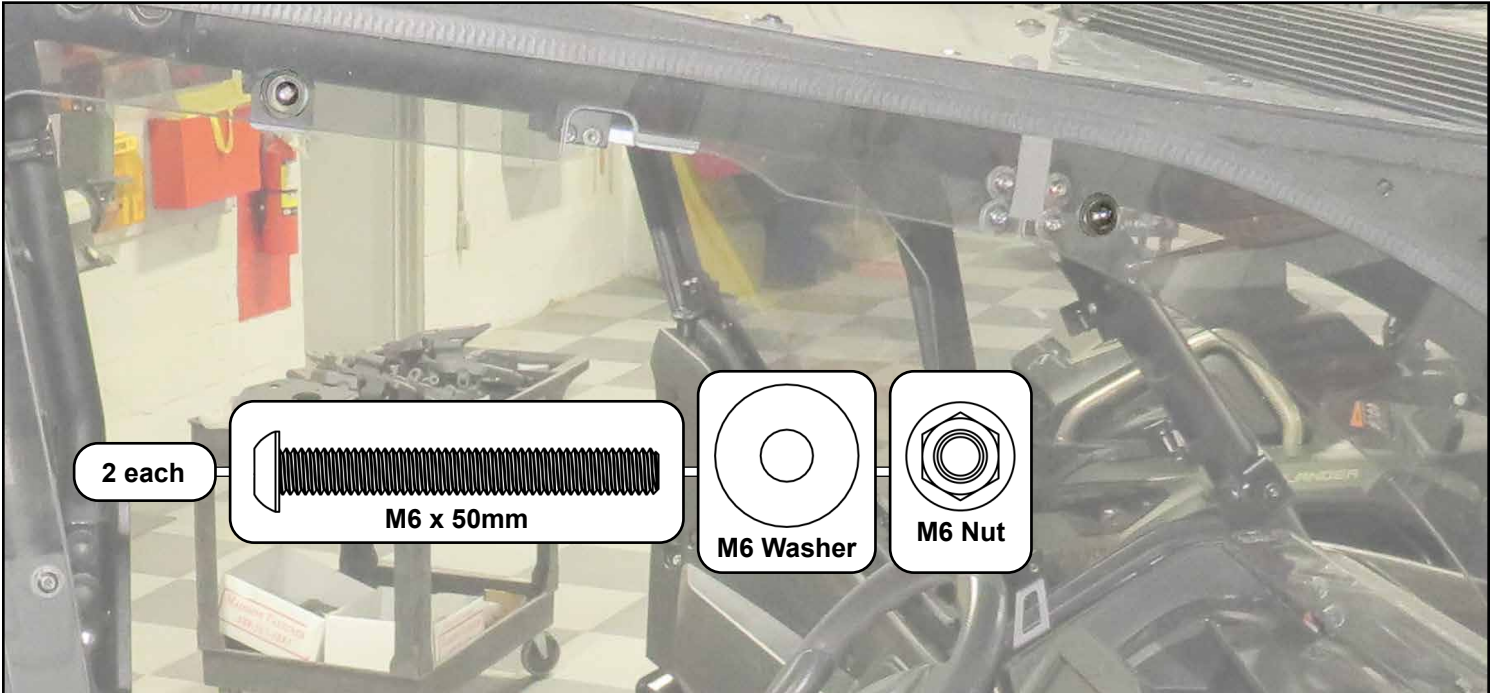
- Install Clamps (S) to Shroud assembly with hardware shown; do not tighten.
- Rotate Clamps (S) around Cage and snug hardware.



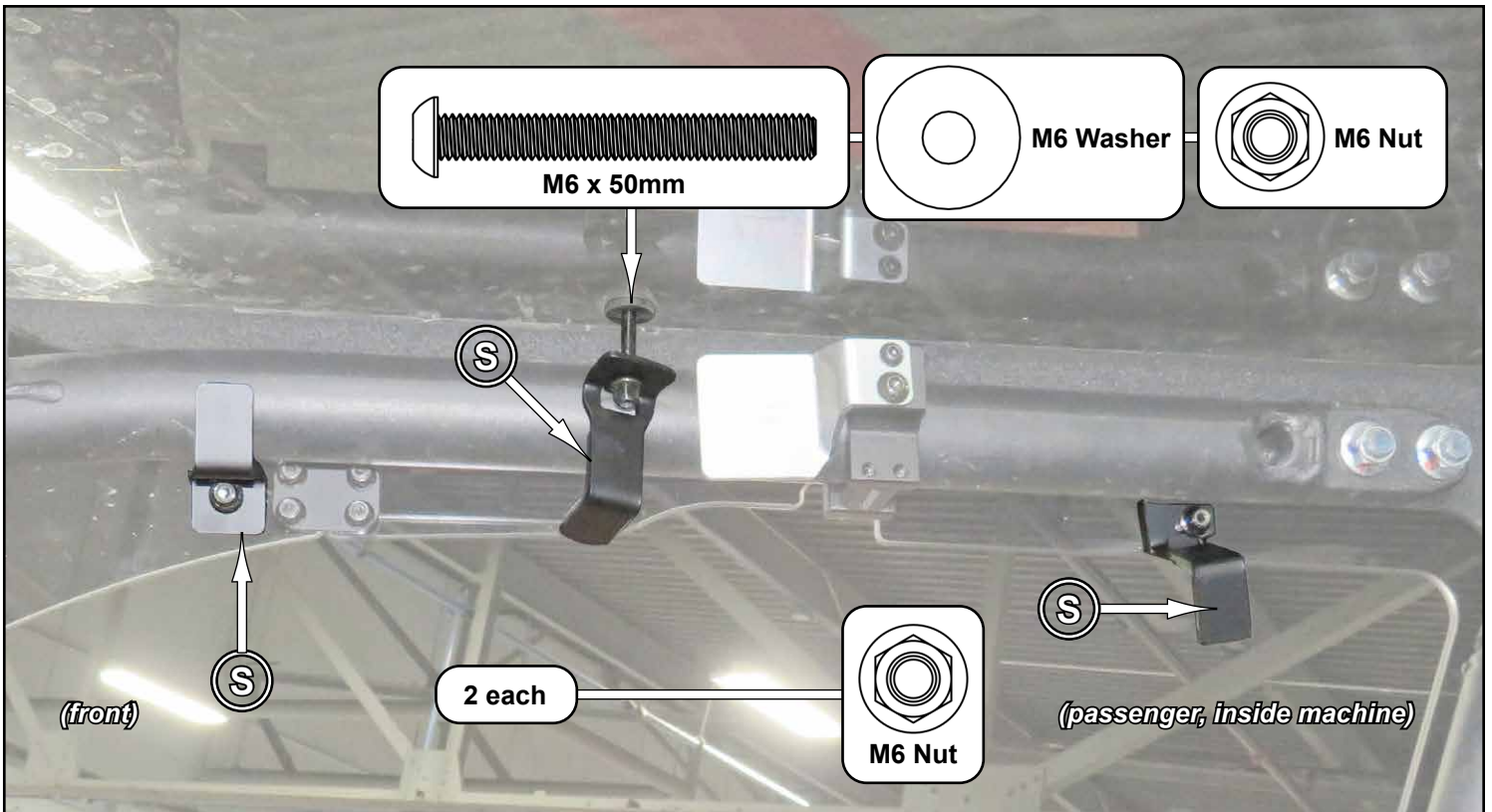
- Install Clamps (S) to Roof with hardware shown; do not tighten.
- Rotate Clamps (S) around Cage and Snug hardware.



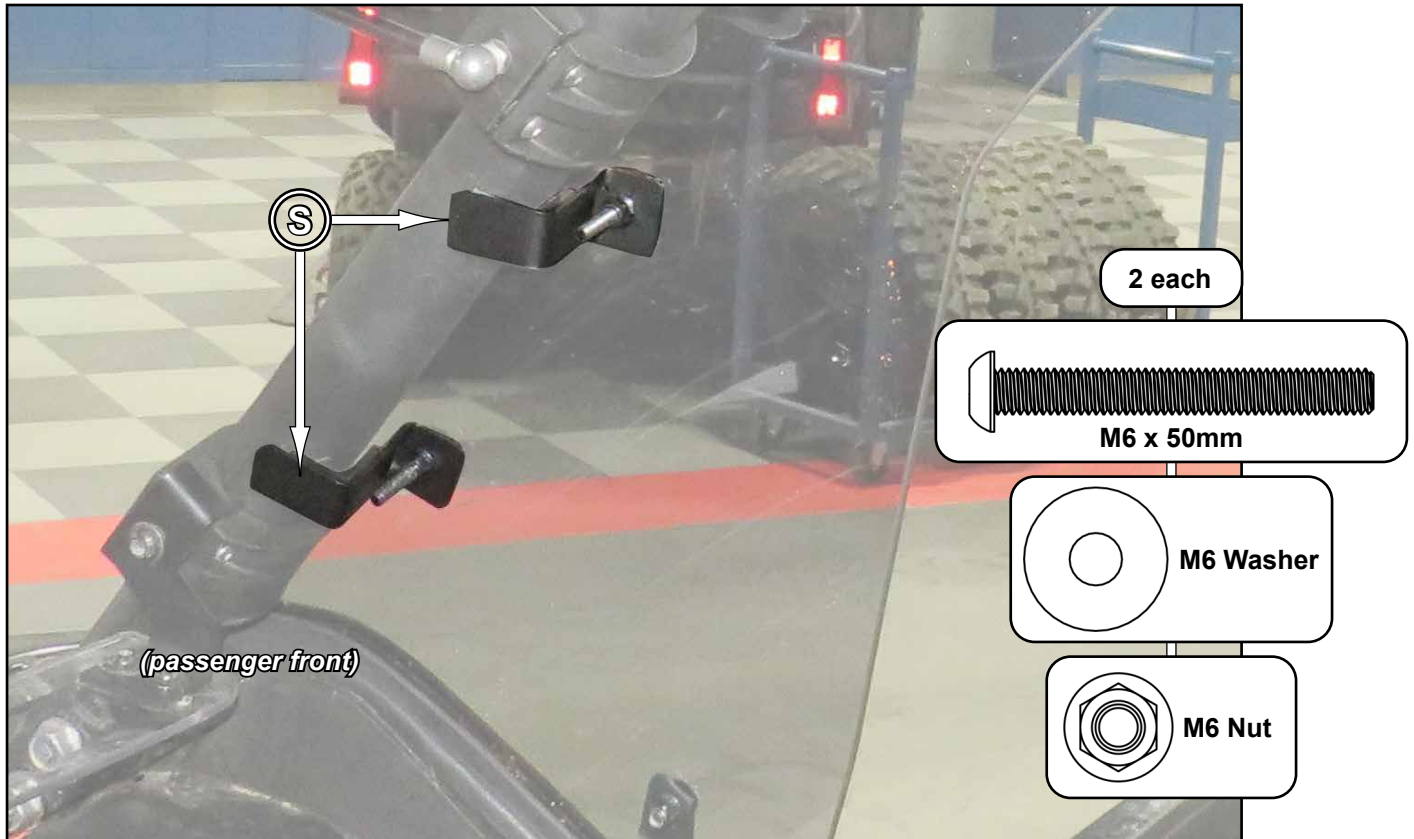
- Install Clamps (S) to Shroud assembly with hardware shown; do not tighten.
- Rotate Clamps (S) around Cage and snug hardware.



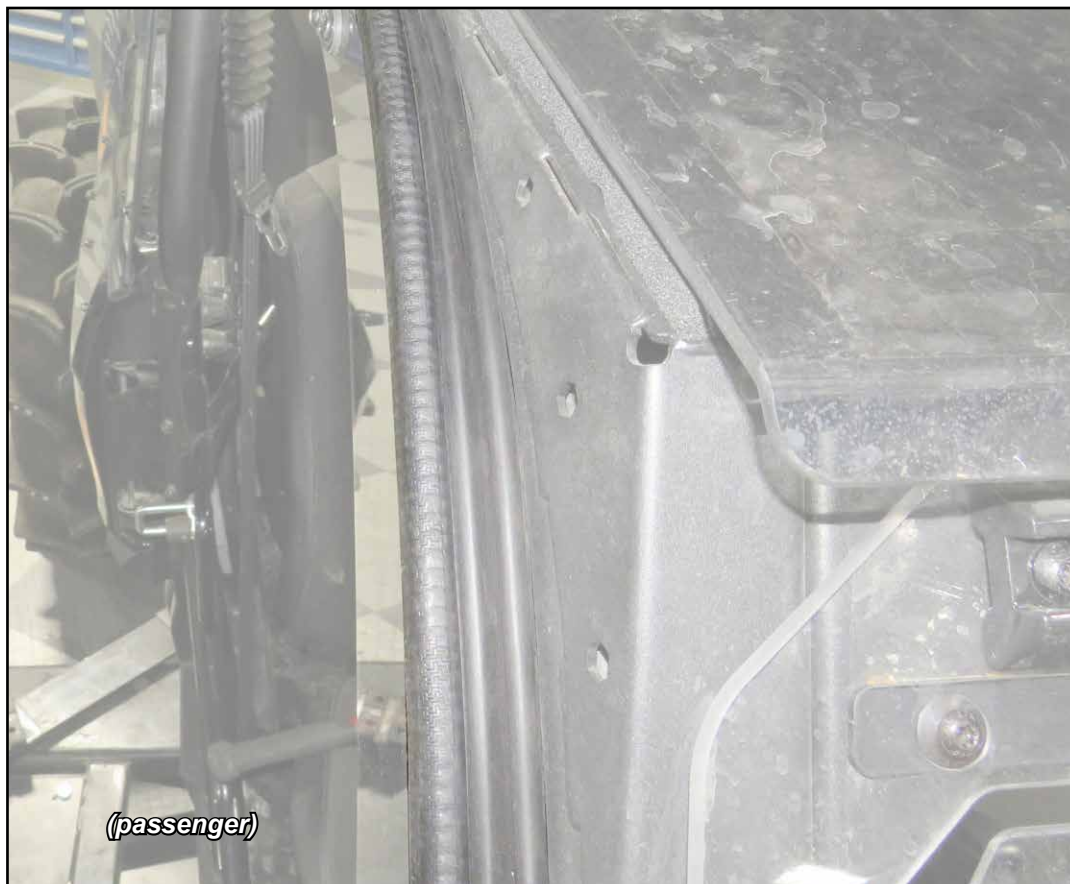
- Install Clamps (S) to Roof with hardware shown; do not tighten.
- Rotate Clamps (S) around Cage and Snug hardware.



- Install Clamps (S) to Shroud assembly with hardware shown; do not tighten.
- Rotate Clamps (S) around Cage and snug hardware.



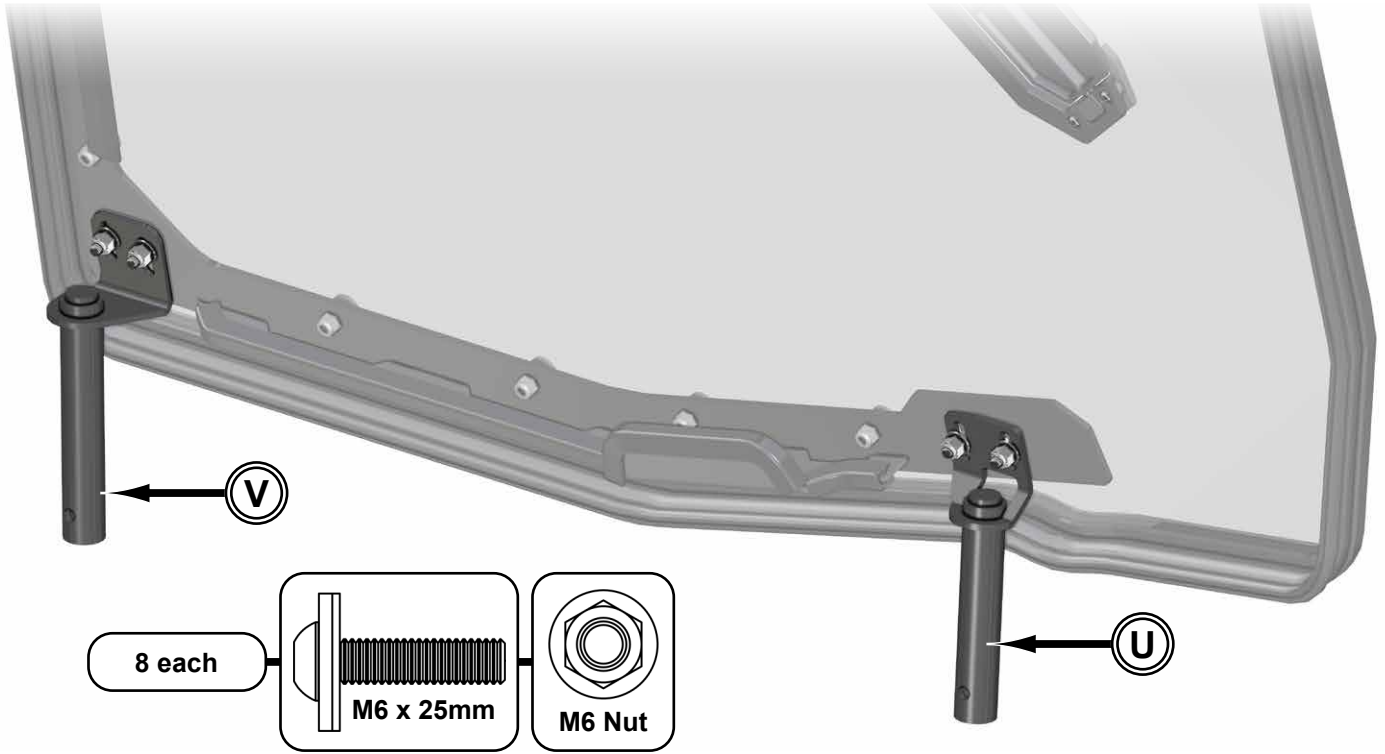
- Ensure that Bulb Seal is oriented as shown.



- Align assembly to machine and tighten all hardware.

- Install Door Mounts to Doors with hardware shown; do not tighten.

Rear Door - R



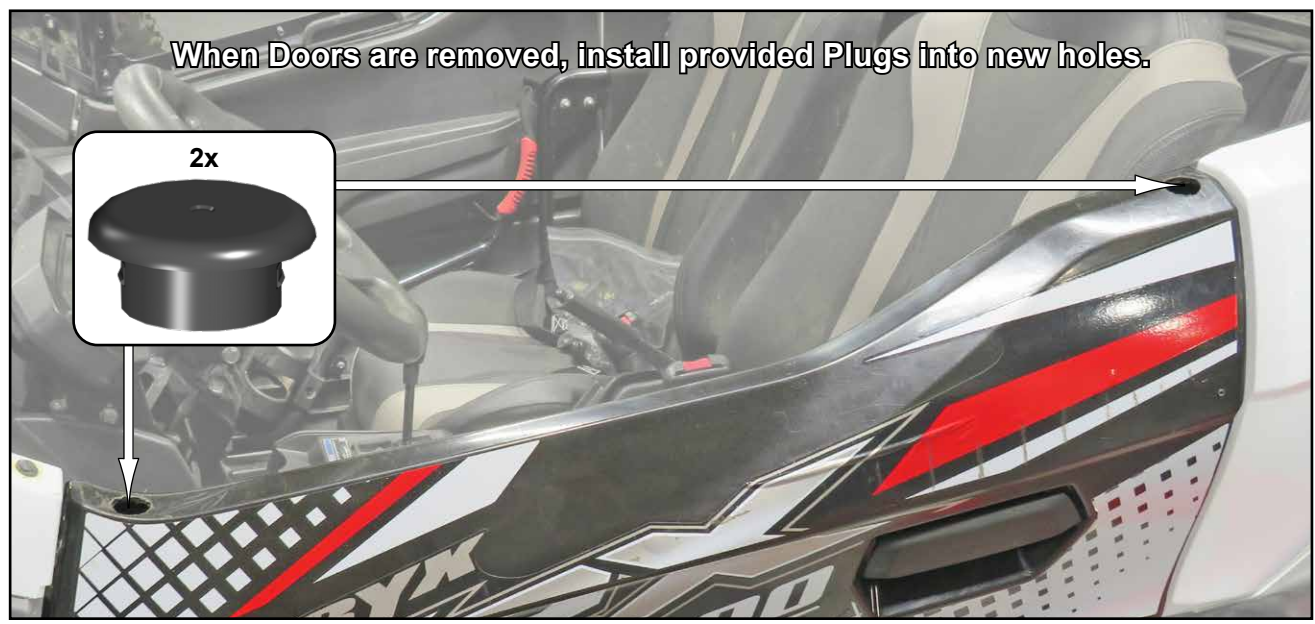
Front Door - R



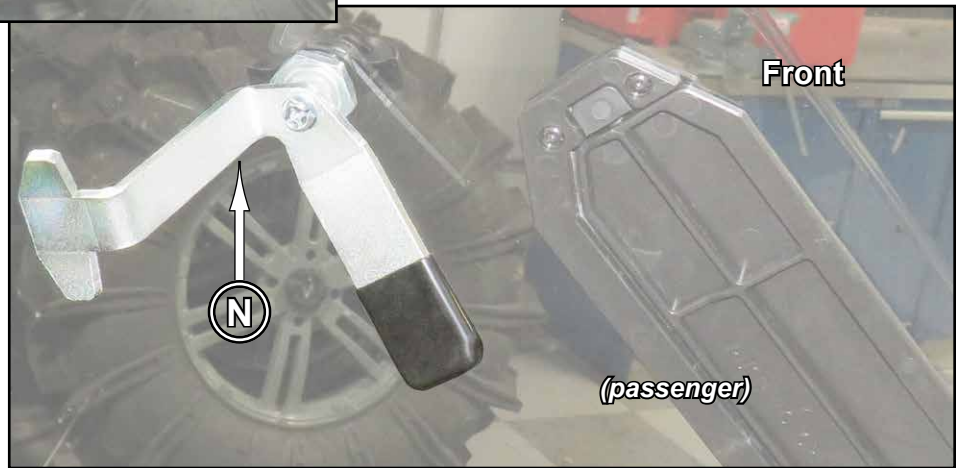
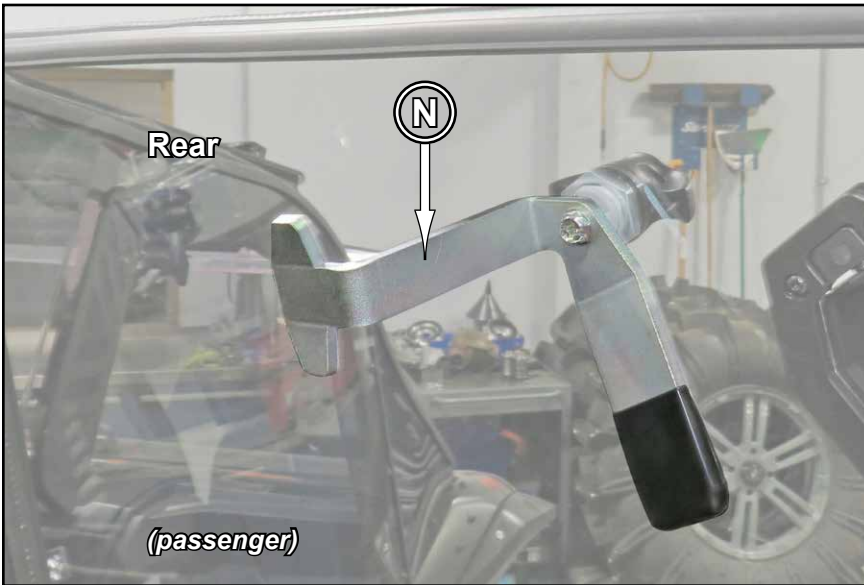
- Install Front Right assembly to machine and secure with Knob; tighten.
- Ensure that Seals on lower portion of Door are in contact with stock Upper Door Cover.



- Install Rear Right assembly to machine and secure with hardware shown; tighten.
- Ensure that Seals on lower portion of Door are in contact with stock Upper Door Cover.



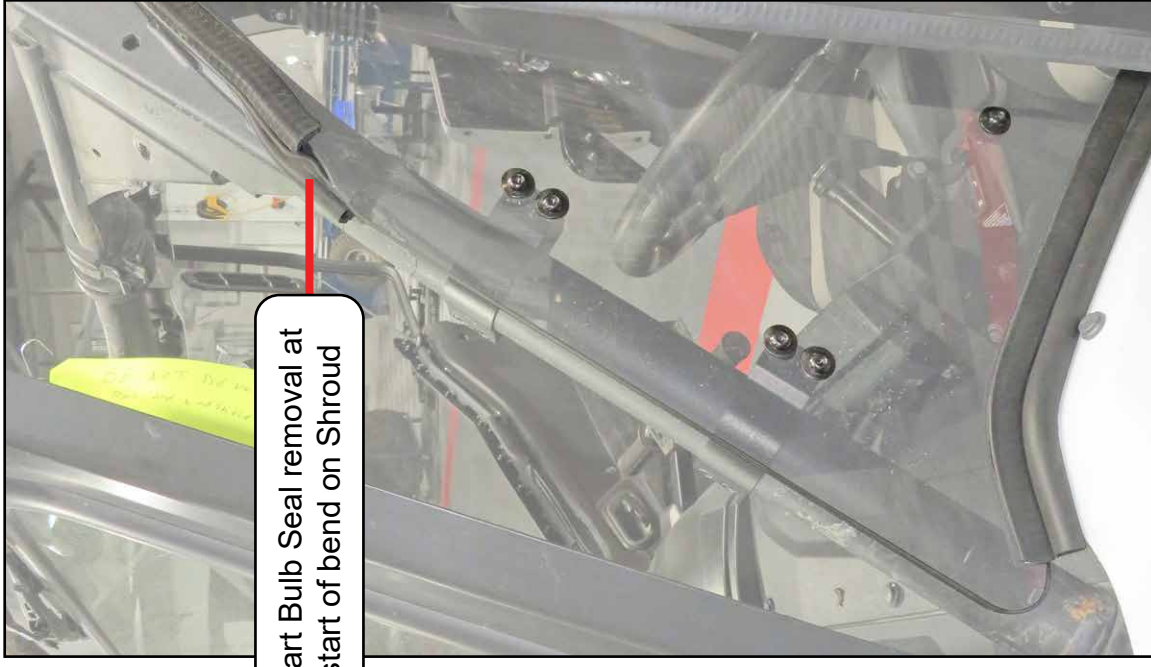
- Install Right Latch (N) with previously removed screws; tighten.



- Repeat steps for passenger side Door installation.

SuperATV Glass Windshield notes:

- If SuperATV Glass Windshield is installed, Bulb Seal on Shroud must be trimmed.



- Repeat for passenger side.