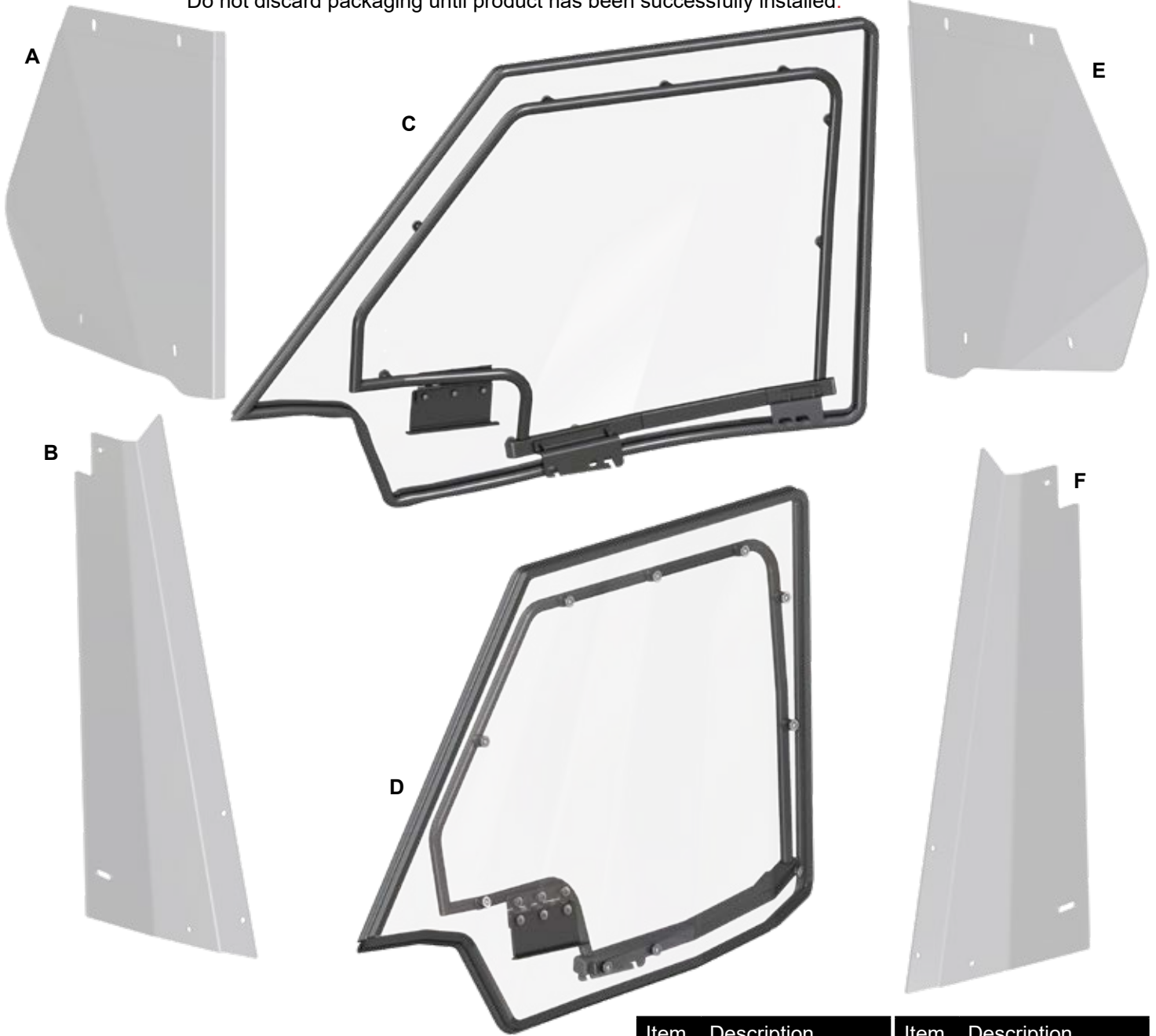


Do not discard packaging until product has been successfully installed.



(kit contents continue on following page)

Item	Description	Item	Description
A	Rear Mount - R	D	Door - Left
B	Upper Mount - R	E	Rear Mount - L
C	Door - Right	F	Upper Mount - L

Need help with your installation?

 sales@superatv.com
 www.superatv.com

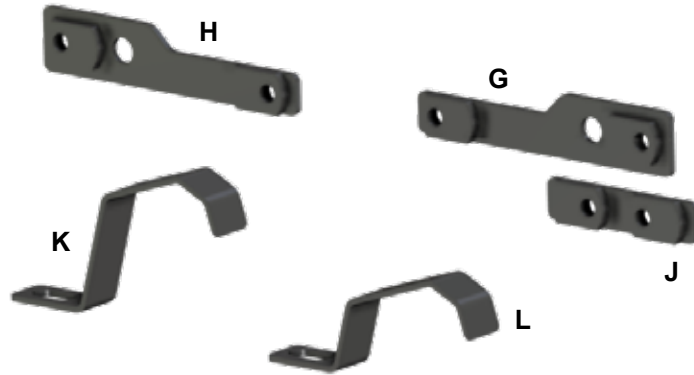
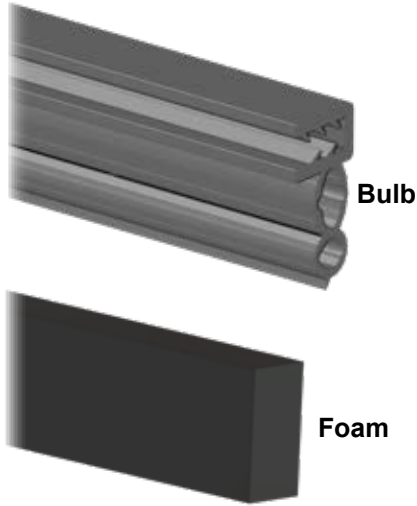
 1-855-743-3427
  8:00am - 8:00pm EST M-Th
 8:00am - 7:00pm EST Friday
 9:00am - 2:00pm EST Saturday

Read instructions and view illustrations before beginning.

Thank You
For Choosing
SUPERATV.COM[®]

Item	Description
G	Door Bracket Front - R
H	Door Bracket Front - L
J	Door Bracket Rear x 2
K	Large Clamp x 4
L	Small Clamp x 8

(kit contents continued)



disregard any remaining hardware

Door Cleaning:

- Do not use Rain-X®, Plexus® or any other protector, wax, or polish.
 - Do not use window cleaning fluids (Windex, 409, etc) or any solvents (gasoline, denatured alcohol, acetone, etc).
 - Never use abrasive cleaners, abrasive pads, or gritty cloths.
 - Never use razor blades, scrapers, squeegees, brushes, etc.
1. Thoroughly rinse Doors to float off dirt and mud.
 2. Using a soft cloth, or microfiber cloth, clean Doors with warm water and a gentle detergent. Baby shampoo, rubbing alcohol, or hand washing soap can also be used.
 3. To prevent water spots, use a chamois to blot Doors dry.

Liability Statement

SuperATV's® products are designed to best fit user's ATV/UTV under stock conditions. Adding, modifying, or fabricating any factory or aftermarket parts will void any warranty provided by SuperATV® and is not recommended. SuperATV's® products could interfere with other aftermarket accessories. If user has aftermarket products on machine, contact SuperATV® to verify that they will work together.

Although SuperATV® has thousands of satisfied customers, user should be aware that installing lift kits, long travel, or suspension kits, tires, etc. will change the ride of machine and may increase maintenance and part wear. Operating any off-road machine while, or after, consuming alcohol and/or drugs increases risk of bodily harm or death. No warranty or representation is made as to this product's ability to protect user from severe injury or death. SuperATV® urges operators and occupants to wear a helmet and appropriate riding gear at all times.

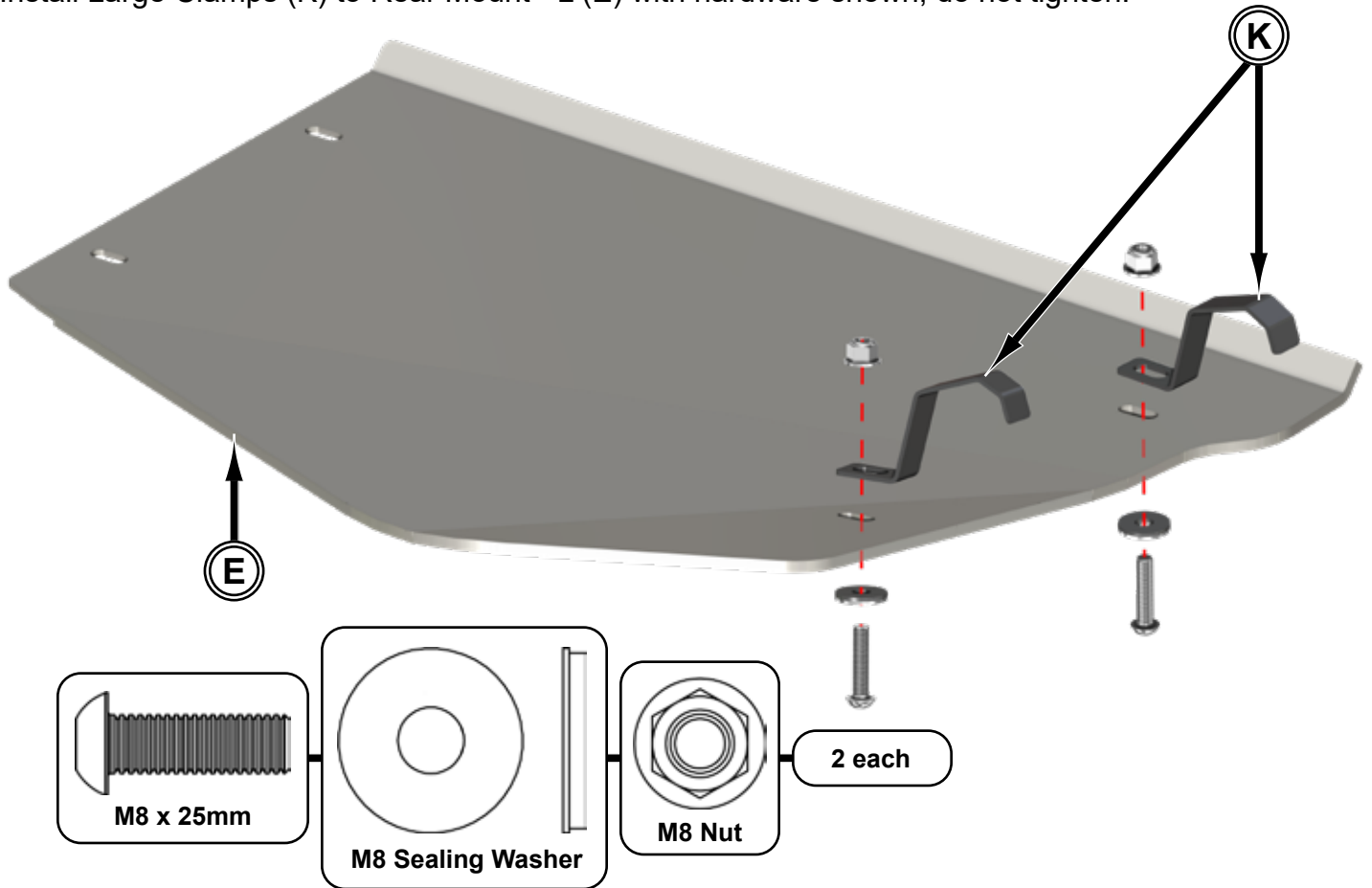
By purchasing and installing SuperATV® products, user agrees that should damages occur, SuperATV® will not be held responsible for loss of time, use, labor fees, replacement parts, or freight charges. SuperATV®, nor any 3rd party, will not be held responsible for any direct, indirect, incidental, special, or consequential damages that result from any product purchased from SuperATV®. The total liability of seller to user for all damages, losses, and causes of action, if any, shall not exceed the total purchase price paid for the product that gave rise to the claim.

SuperATV® will warranty only parts provided by SuperATV®. Any damage or problems with OEM housings, bearings, seals, or other manufacturers' products will not be covered by SuperATV®. SuperATV® parts and products are not warranted if item was not installed properly, misused, or modified.

Installing, adding, modifying, or fabricating any factory or aftermarket product to your ATV/UTV may violate certain local, state, and federal laws. Be advised that laws vary depending on town, city, county, state, etc. Use of certain products on public streets, roads, or highways may be in violation law. The Buyer is solely and exclusively legally and personally responsible for any violation of the law by the installation or use of the product. You must abide by all local, state, and federal laws, including but not limited to vehicle safety, traffic laws, and ordinances. It is your responsibility to know the laws and how they apply to you.

The Buyer is responsible to fully understand the capability and limitations of his/her vehicle according to manufacturer specifications, warnings and instructions and agrees to hold SuperATV® harmless from any damage resulting from failure to adhere to such specifications, warnings and/ or instructions. The Buyer is also responsible to obey all applicable federal, state, and local laws and ordinances when operating his/her vehicle while using this product, and the Buyer agrees to hold SuperATV® harmless from any violation thereof.

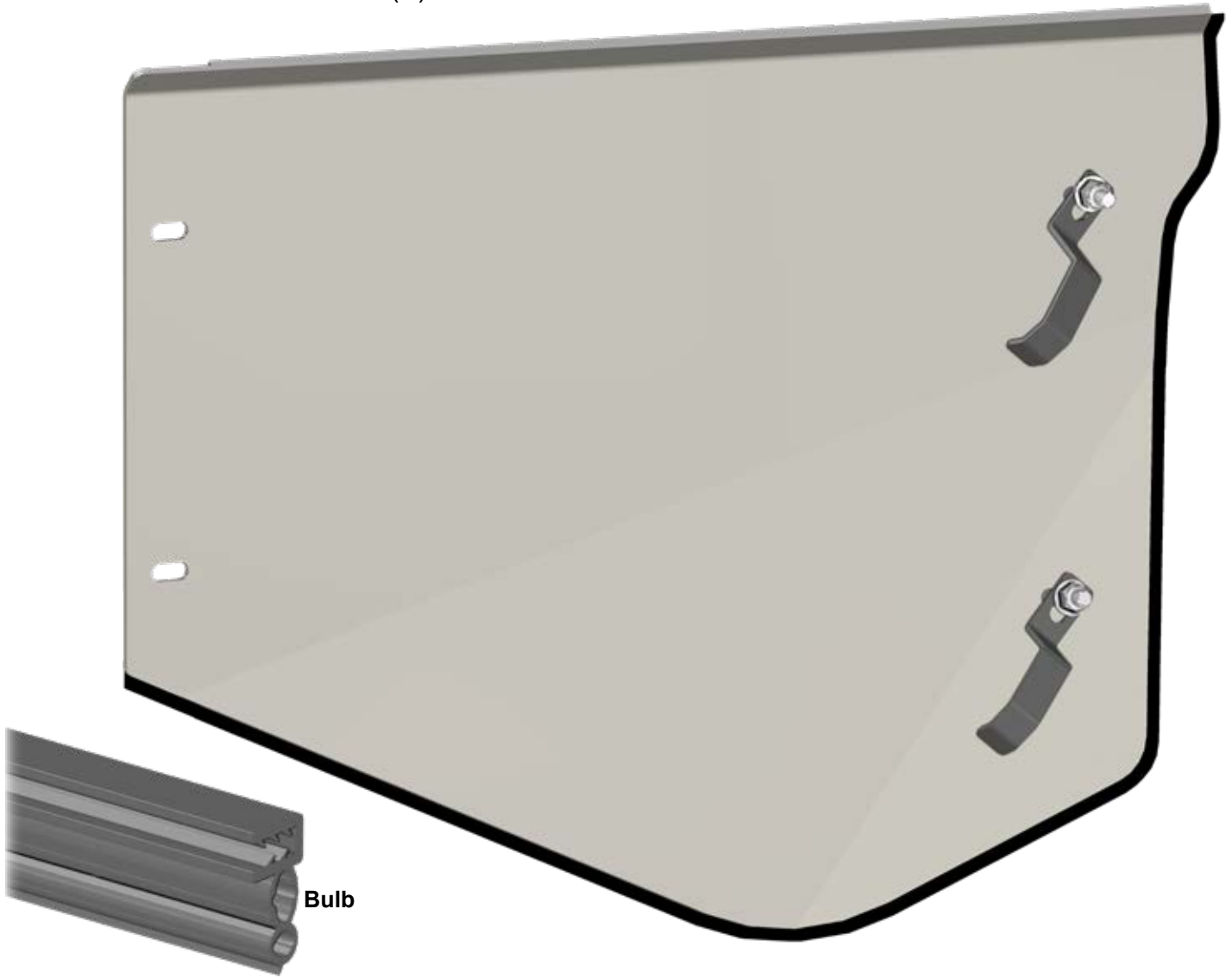
- Install Large Clamps (K) to Rear Mount - L (E) with hardware shown; do not tighten.



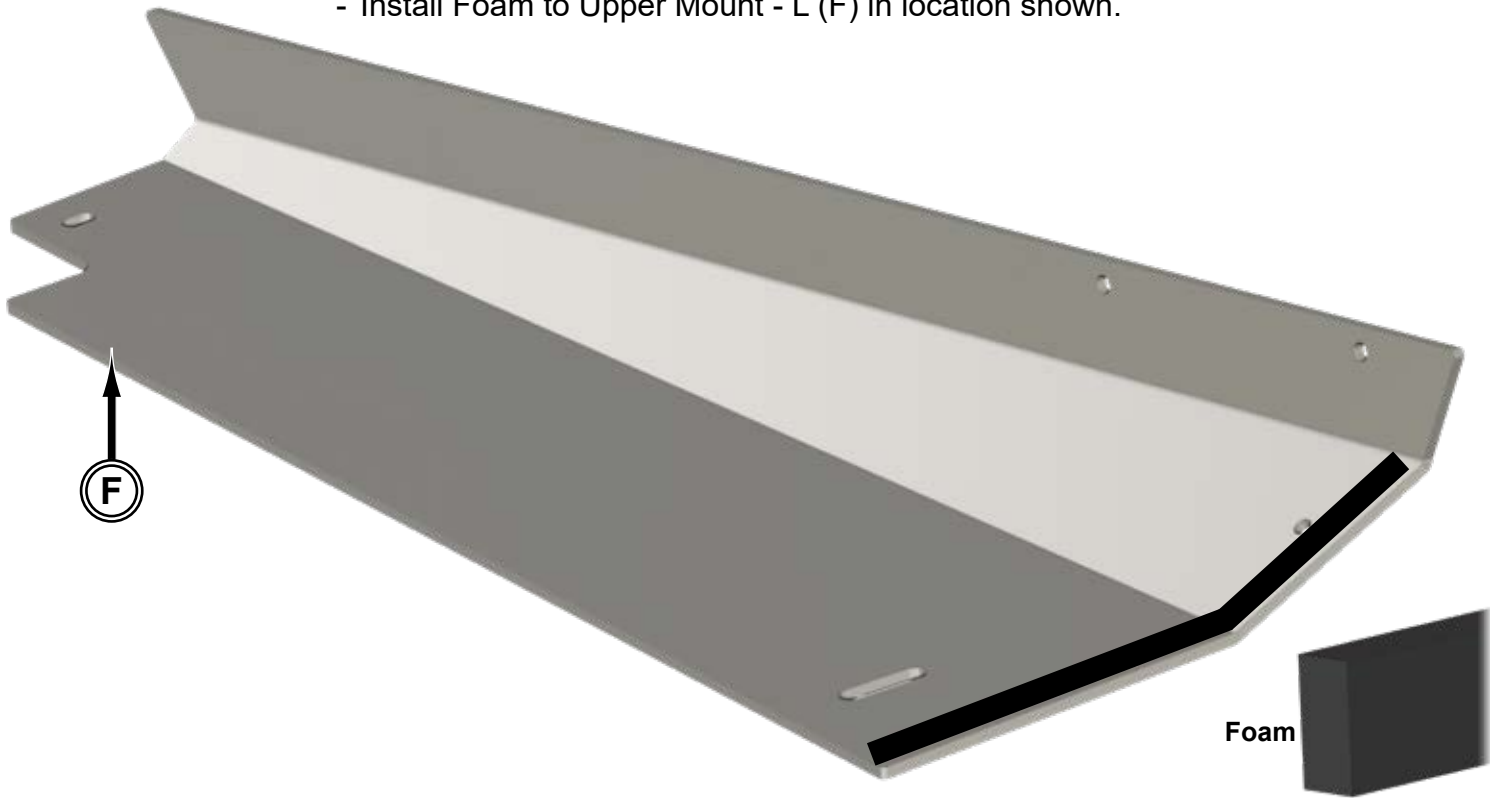
- Install Foam to Cage in location shown.



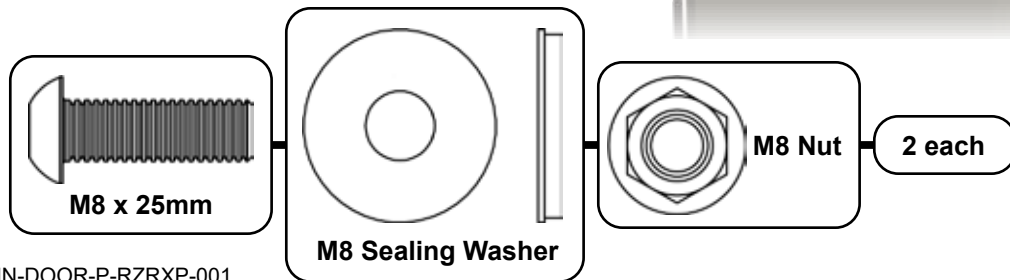
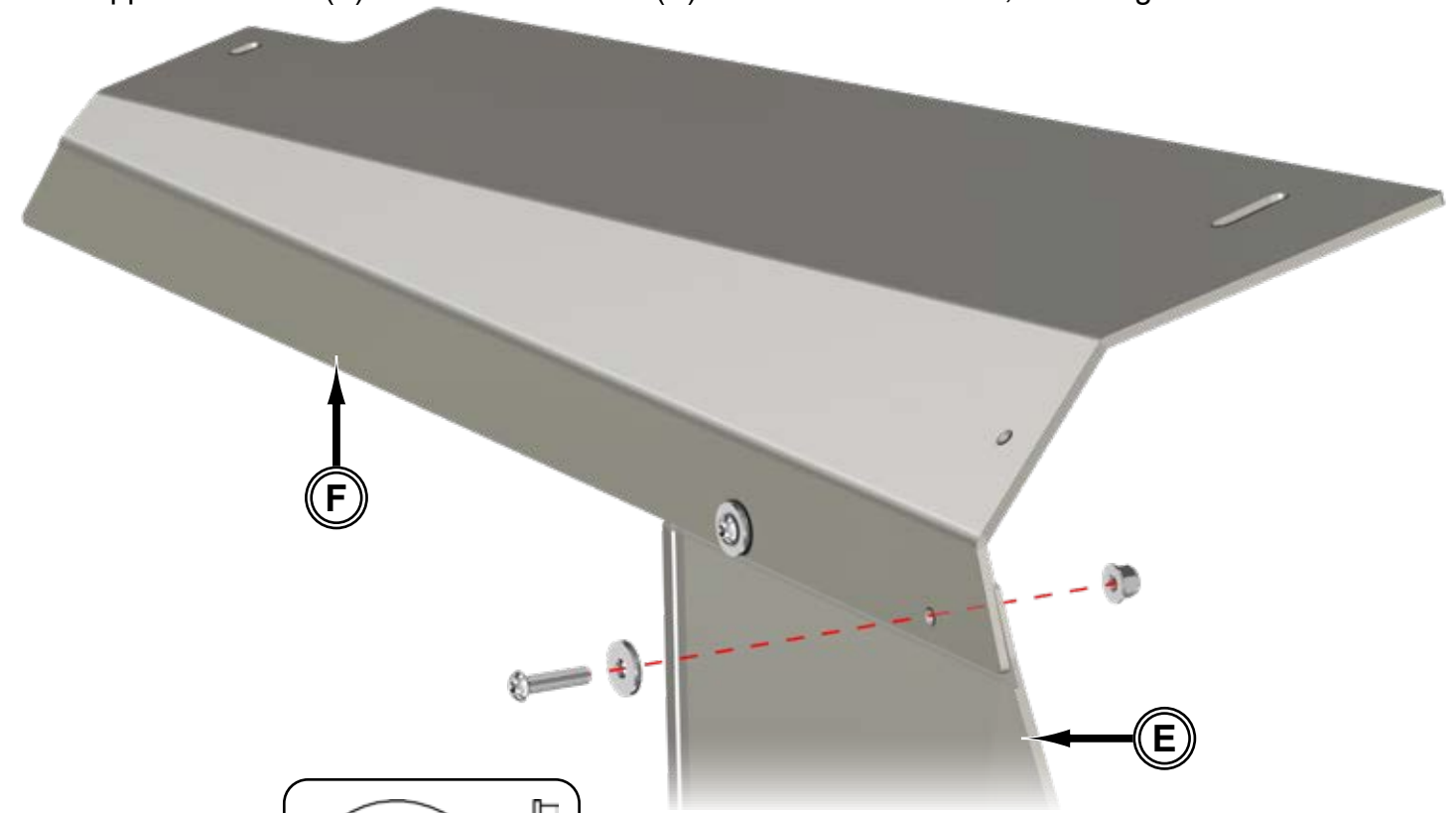
- Install Bulb to Rear Mount - L (E) in location shown.



- Install Foam to Upper Mount - L (F) in location shown.



- Join Upper Mount - L (F) and Rear Mount - L (E) with hardware shown; do not tighten.

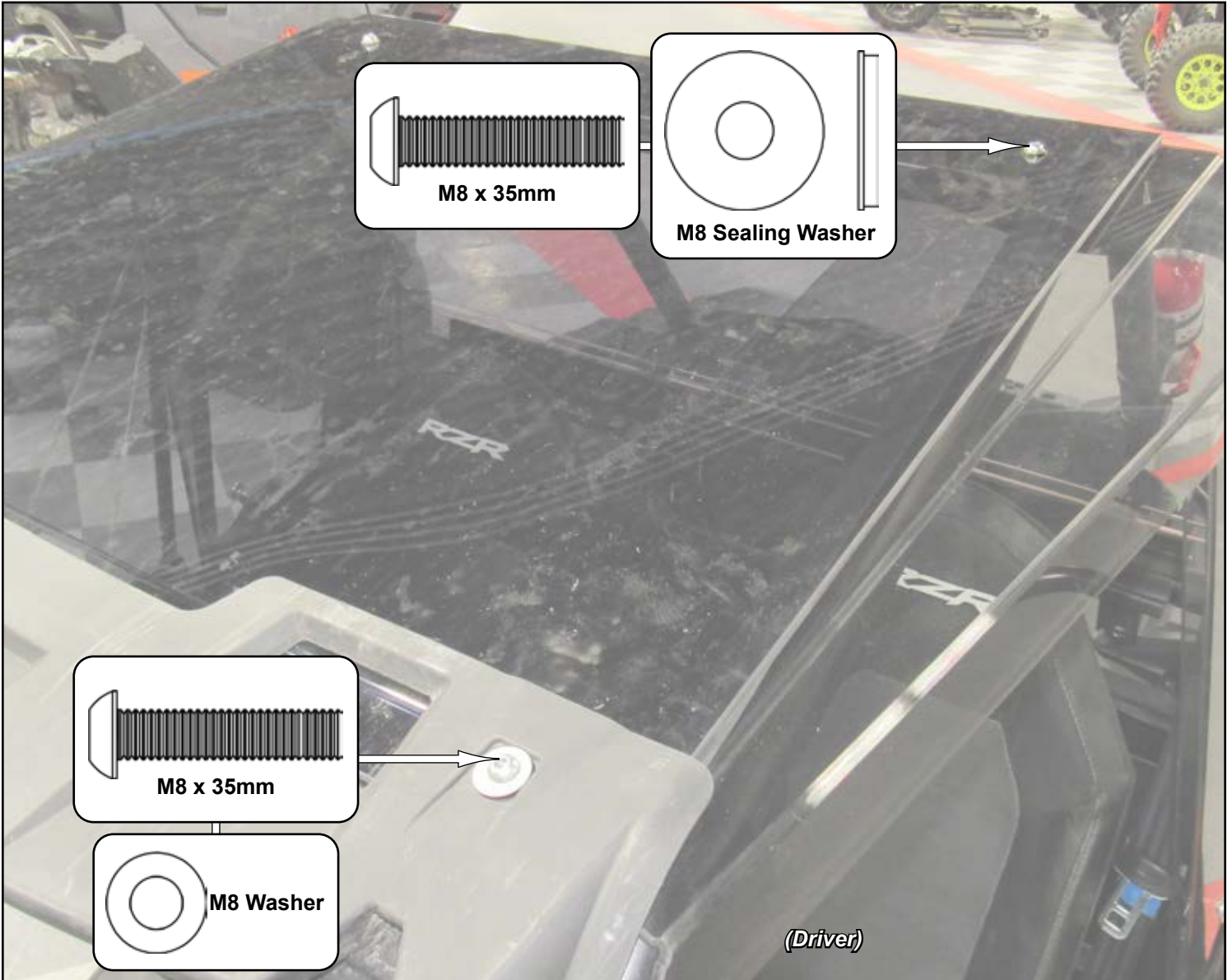


- Place Mount assembly onto machine.



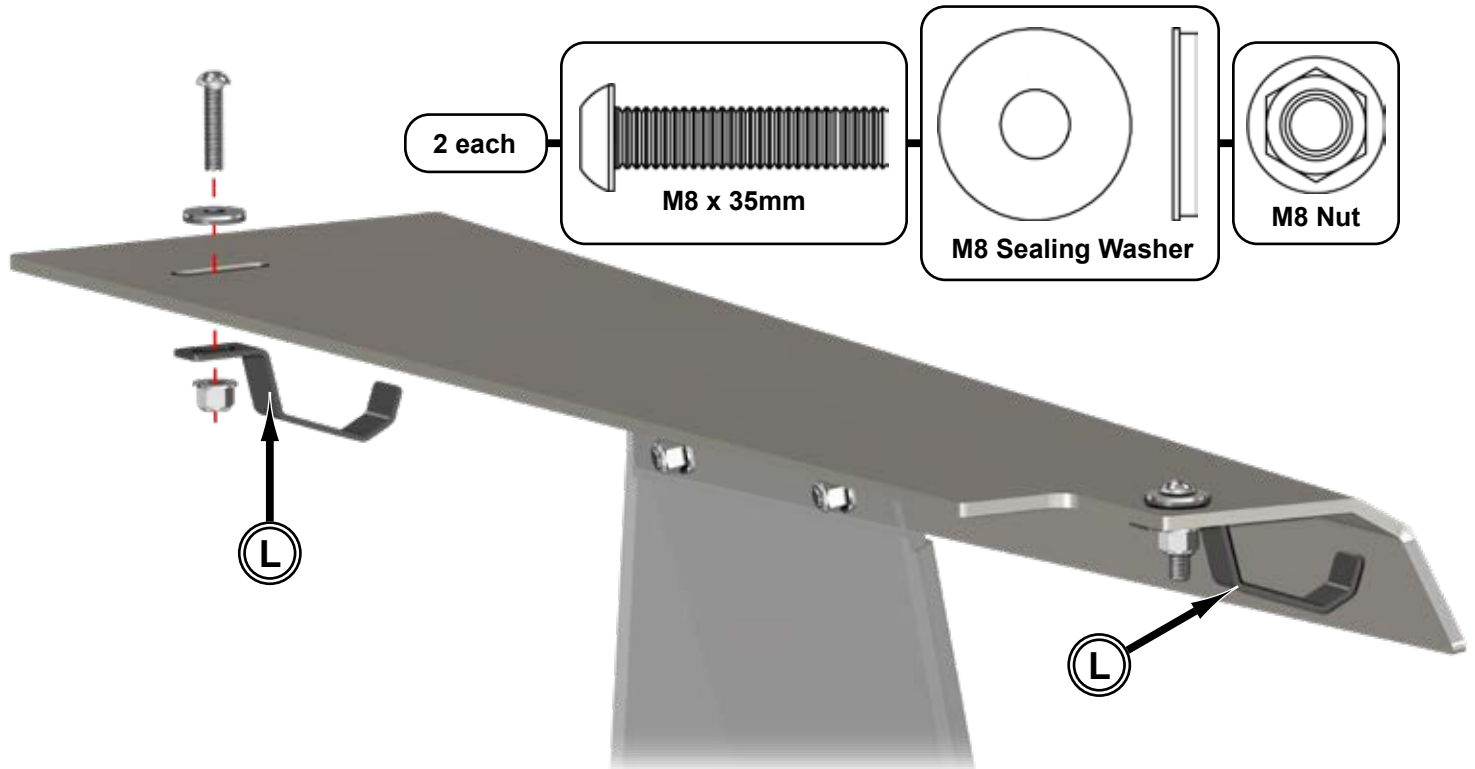
Machines with stock Clip-Nuts in place:

- Secure Upper Mount - L (F) to machine with hardware shown; do not tighten.



Machines without stock Clip-Nuts in place:

- Install Small Clamps (L) to Upper Mount - L (F) with hardware shown; do not tighten.
- Rotate Small Clamps (H) so that they will engage with Cage.



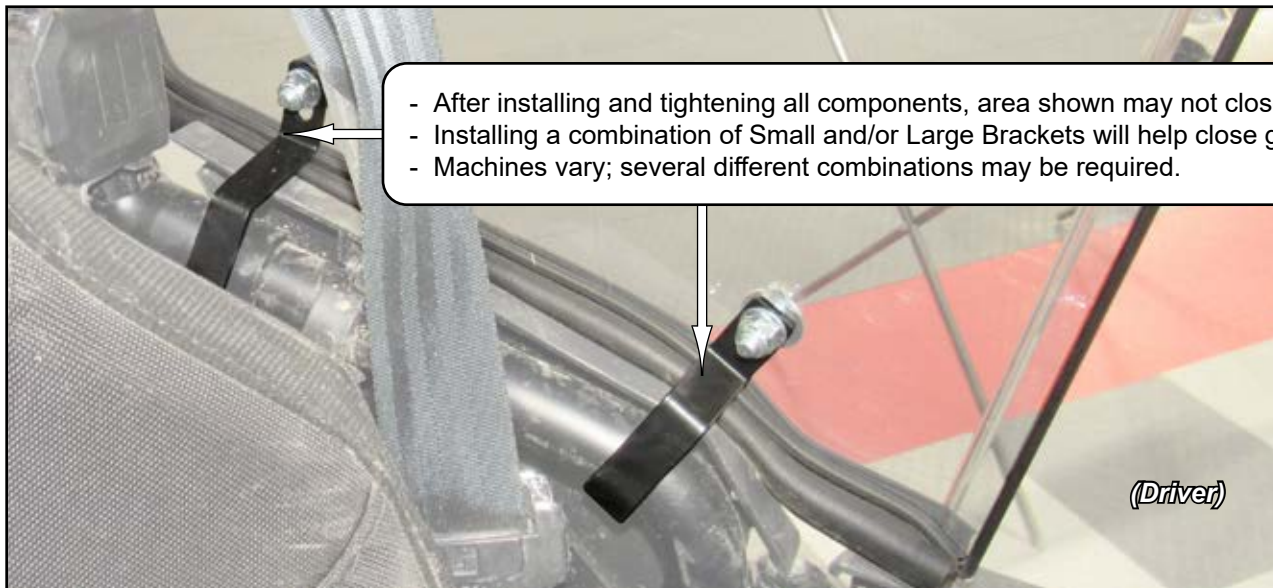
- Loosen stock hardware shown.
- Insert Door Bracket Front -L (H) between Frame and Door.
- Secure with hardware shown; do not tighten.
- Repeat for Door Bracket Rear -L (J).
- Tighten stock hardware.



- Place Door - Left (D) onto previously installed M8 bolts.
- Close and latch Door.
- Align assembly to machine.
- From opposite side, passenger, tighten all hardware.



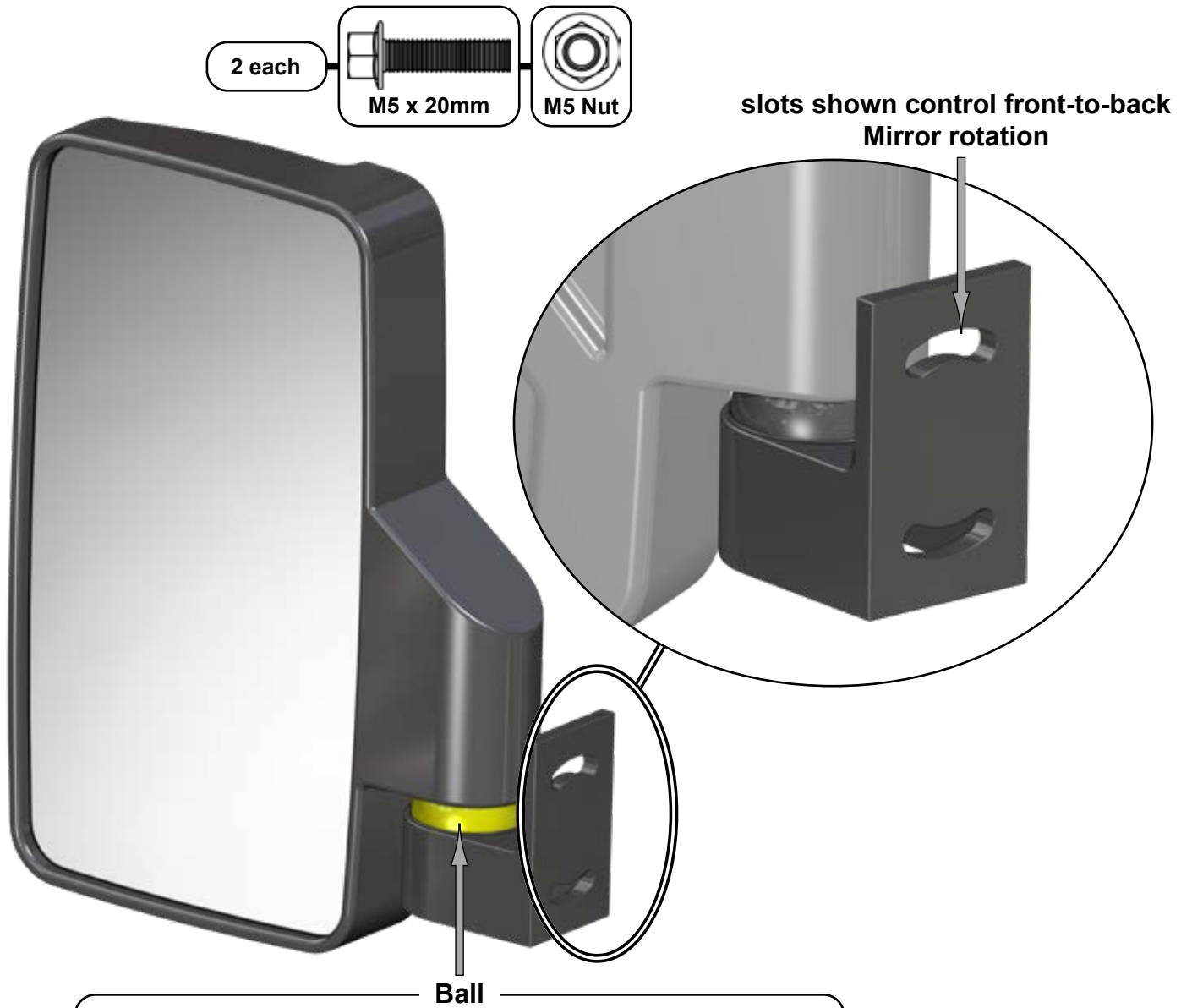
- Repeat steps for passenger Door.



- After installing and tightening all components, area shown may not close completely.
- Installing a combination of Small and/or Large Brackets will help close gaps.
- Machines vary; several different combinations may be required.

(Driver)

- Install Mirrors to Doors with hardware shown. Tighten hardware.



- Mirror is spring loaded and can also be adjusted here.
- Ball will allow adjustment in various directions.

