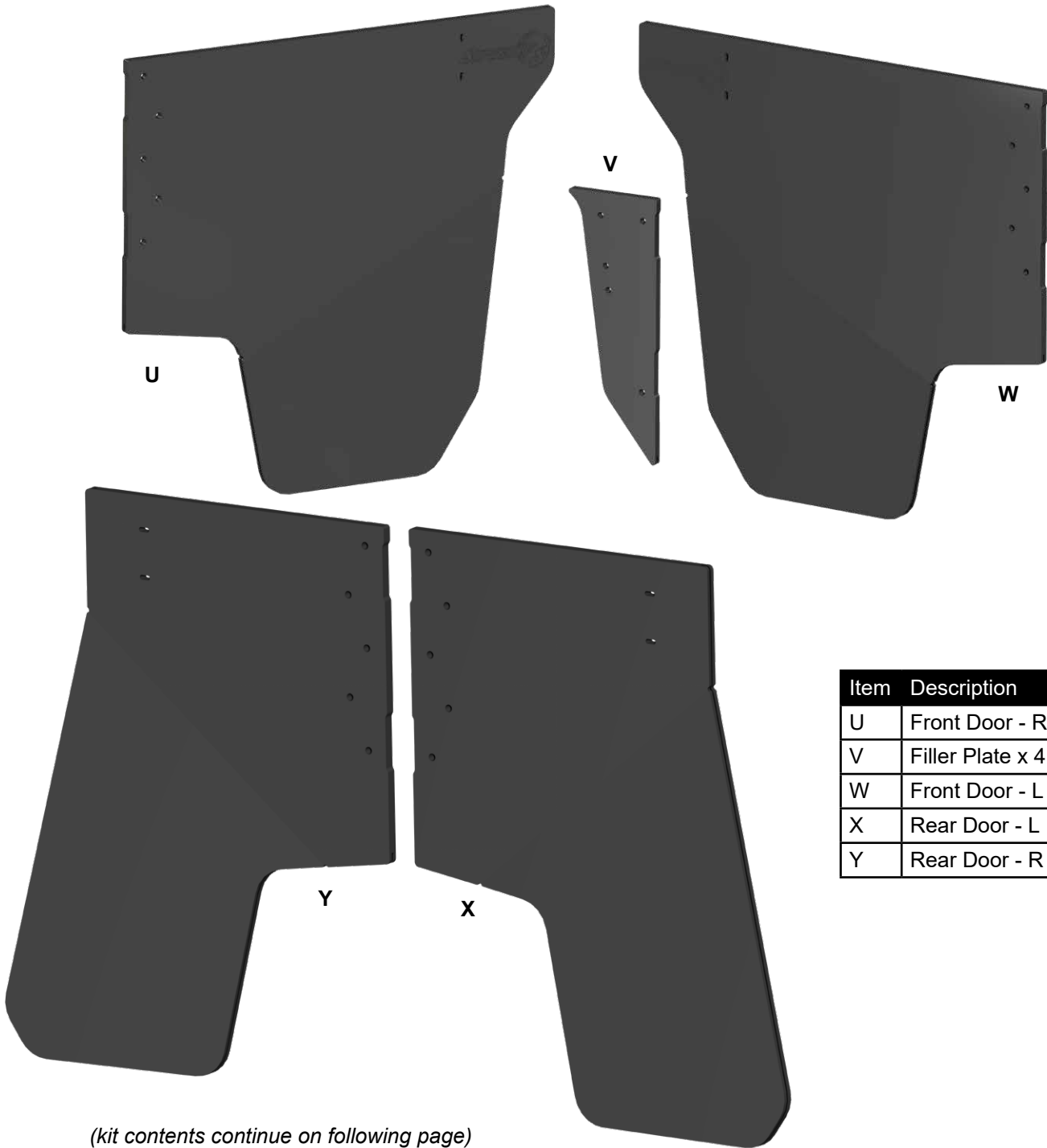


- Do not discard packaging until product has been successfully installed.



Item	Description
U	Front Door - R
V	Filler Plate x 4
W	Front Door - L
X	Rear Door - L
Y	Rear Door - R

(kit contents continue on following page)

Need help with your installation?

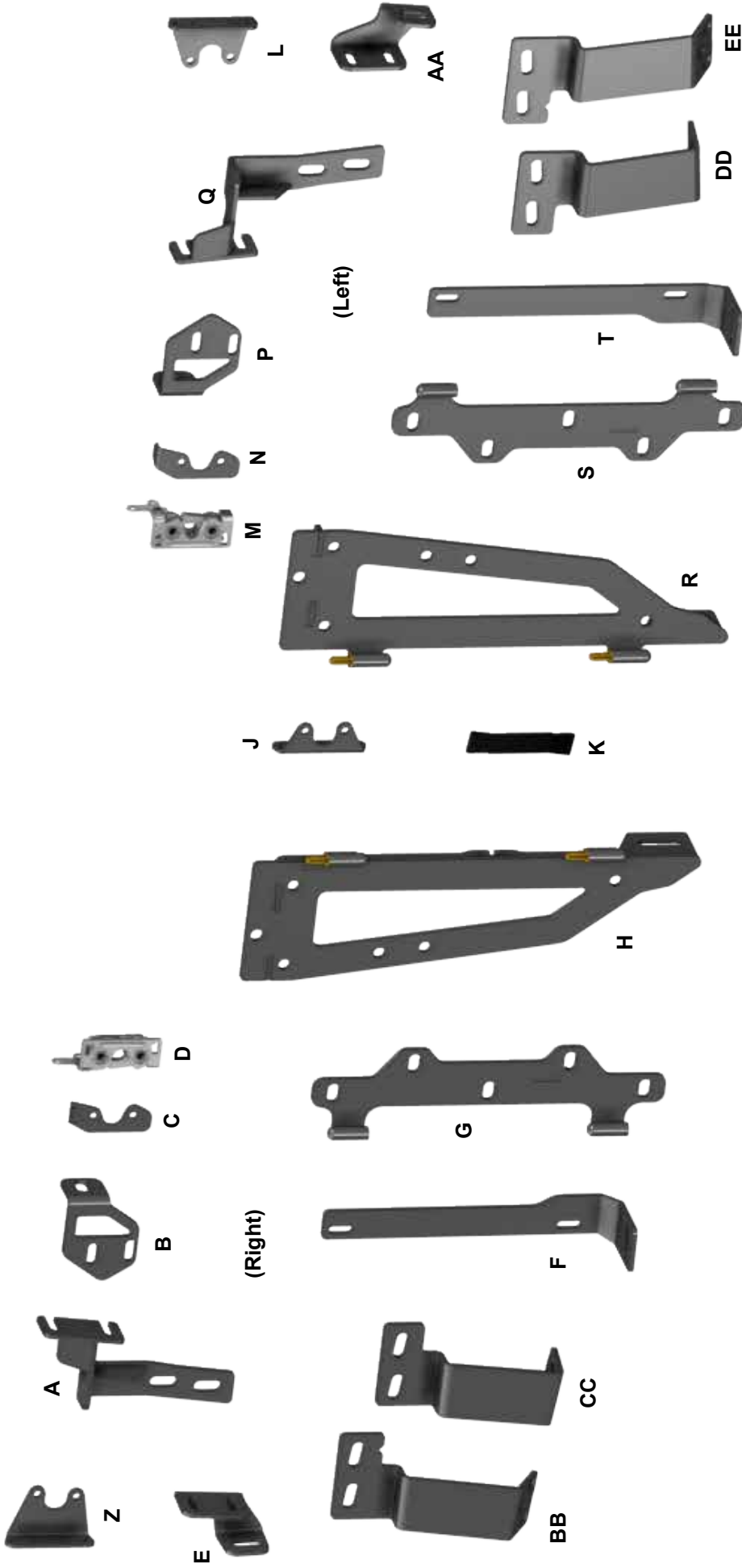
 sales@superatv.com
 www.superatv.com

 1-855-743-3427
  8:00am - 8:00pm EST M-Th
 8:00am - 7:00pm EST Friday
 9:00am - 2:00pm EST Saturday

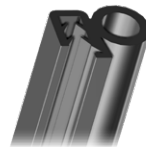
Read instructions and view illustrations before beginning.

*Thank You
 For Choosing*
SUPERATV.COM[®]

(kit contents continued)



Bulb Seal

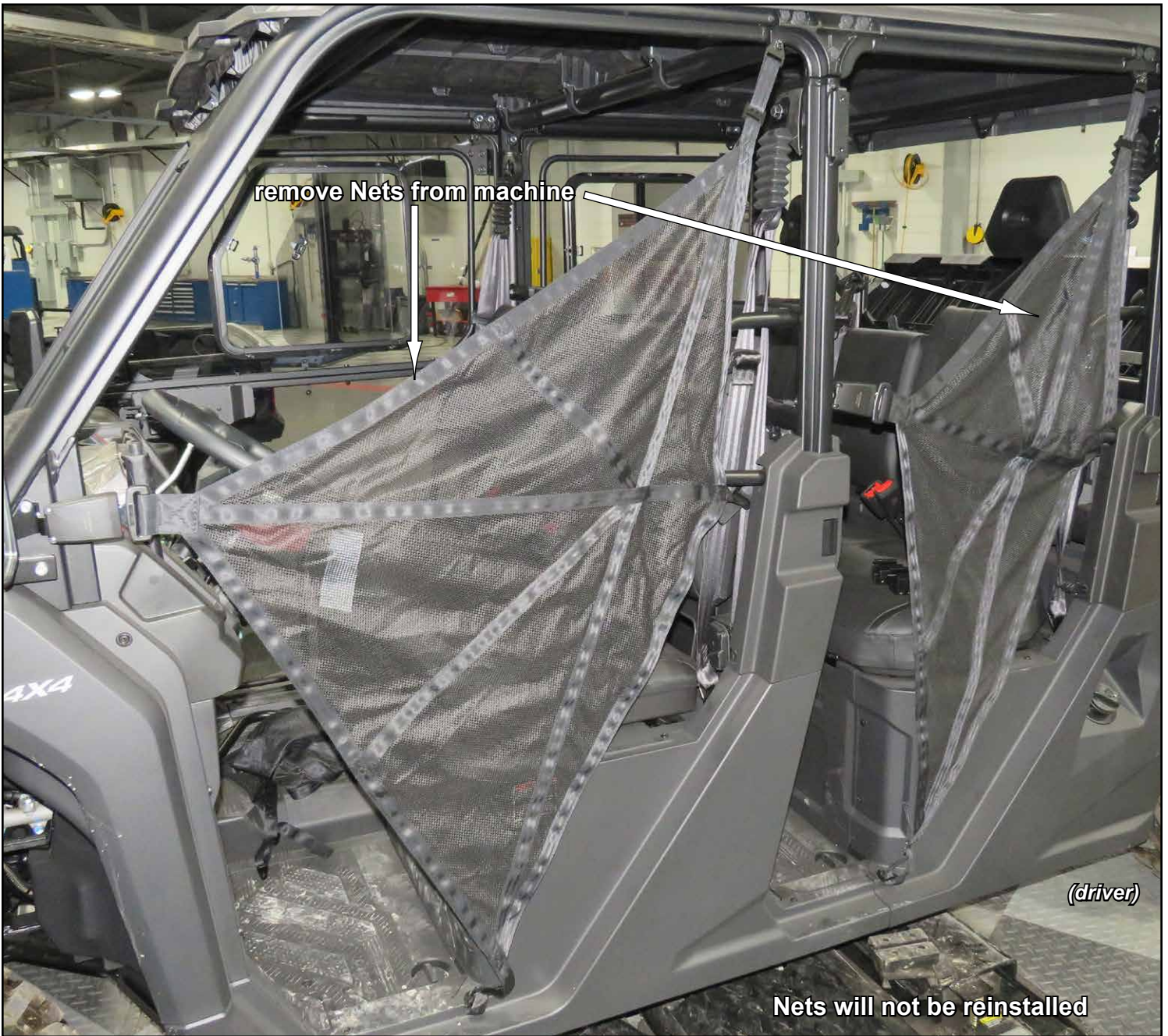


D-Seal

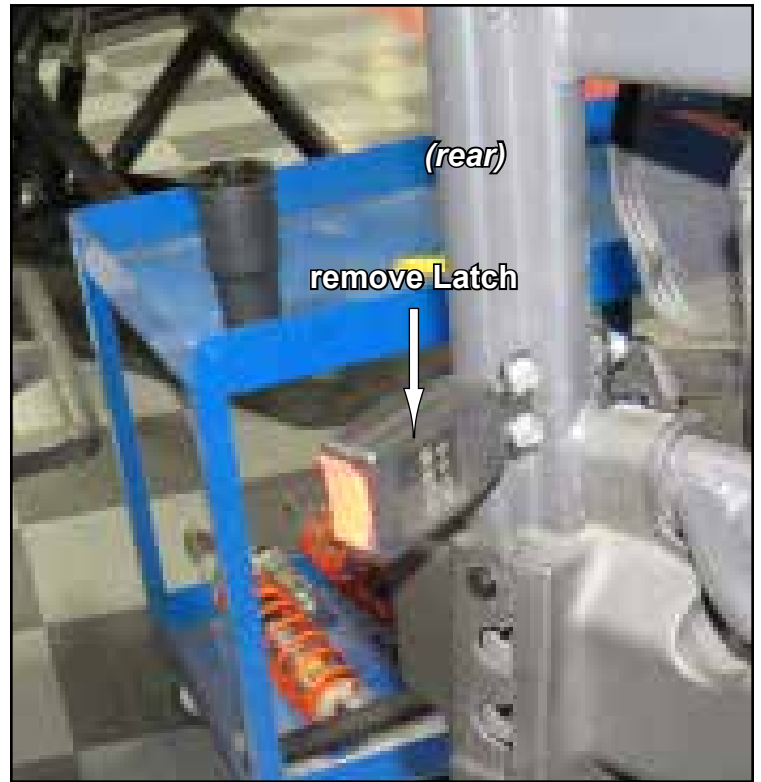


Item	Description	Item	Description	Item	Description
A	Internal Mount - R x 2	J	Front Latch Mount x 2	S	Hinge Bracket - L x 2
B	Front Striker Mount - R	K	Strap x 4	T	Lower Frame Mount - L x 2
C	Latch Plate - R x 2	L	Rear Latch Mount - R	Z	Rear Latch Mount - L
D	Latch - R x 2	M	Latch - L x 2	AA	Rear Striker Mount - L
E	Rear Striker Mount - R	N	Latch Plate - L x 2	BB	Front Frame Mount - R
F	Lower Frame Mount - R x 2	P	Front Striker Mount - L	CC	Rear Frame Mount - L
G	Hinge Bracket - R x 2	Q	Internal Mount - L x 2	DD	Front Frame Mount - L
H	Door Mount - R x 2	R	Door Mount - L x 2	EE	Rear Frame Mount - L

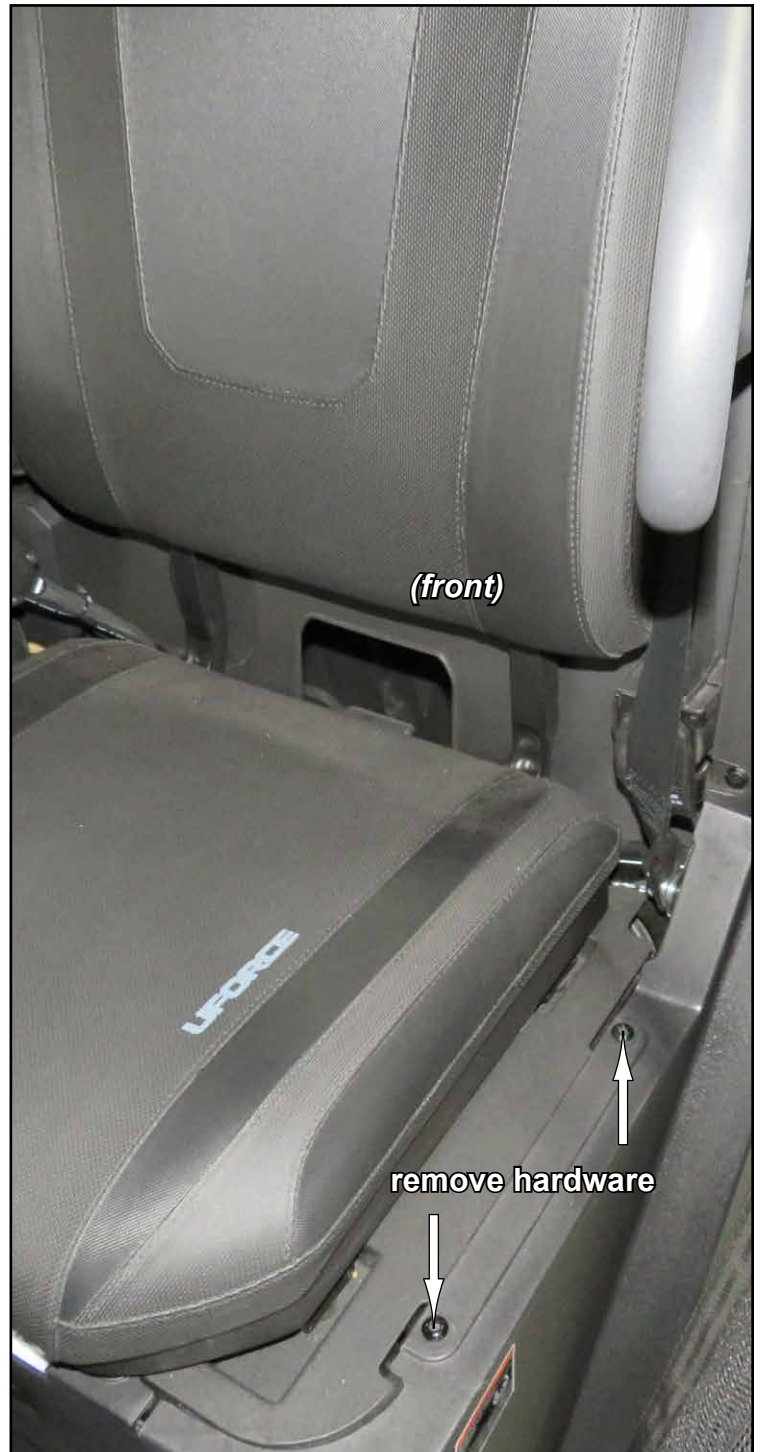
Remove components / hardware shown; do not discard.



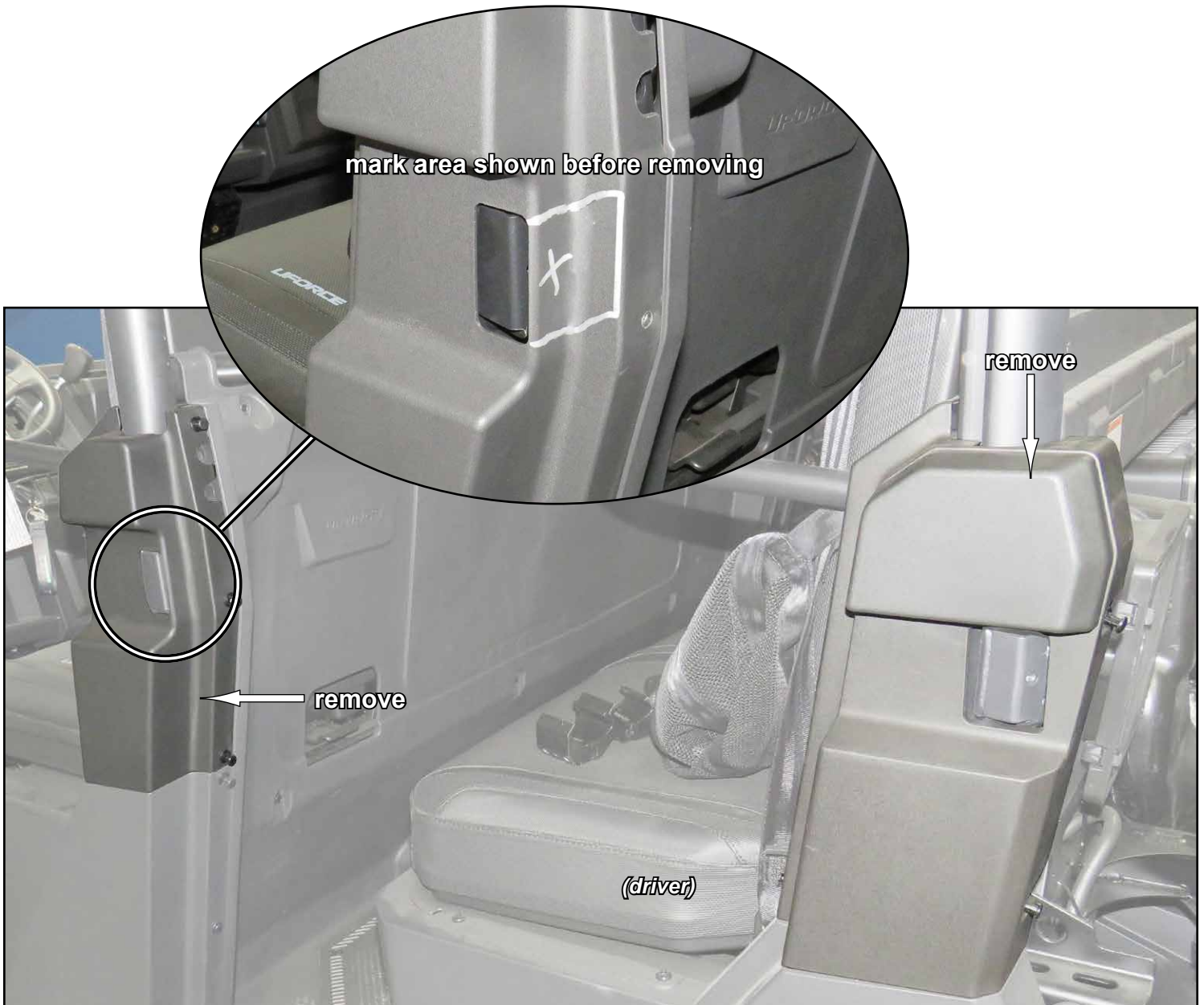
Remove components / hardware shown; do not discard.



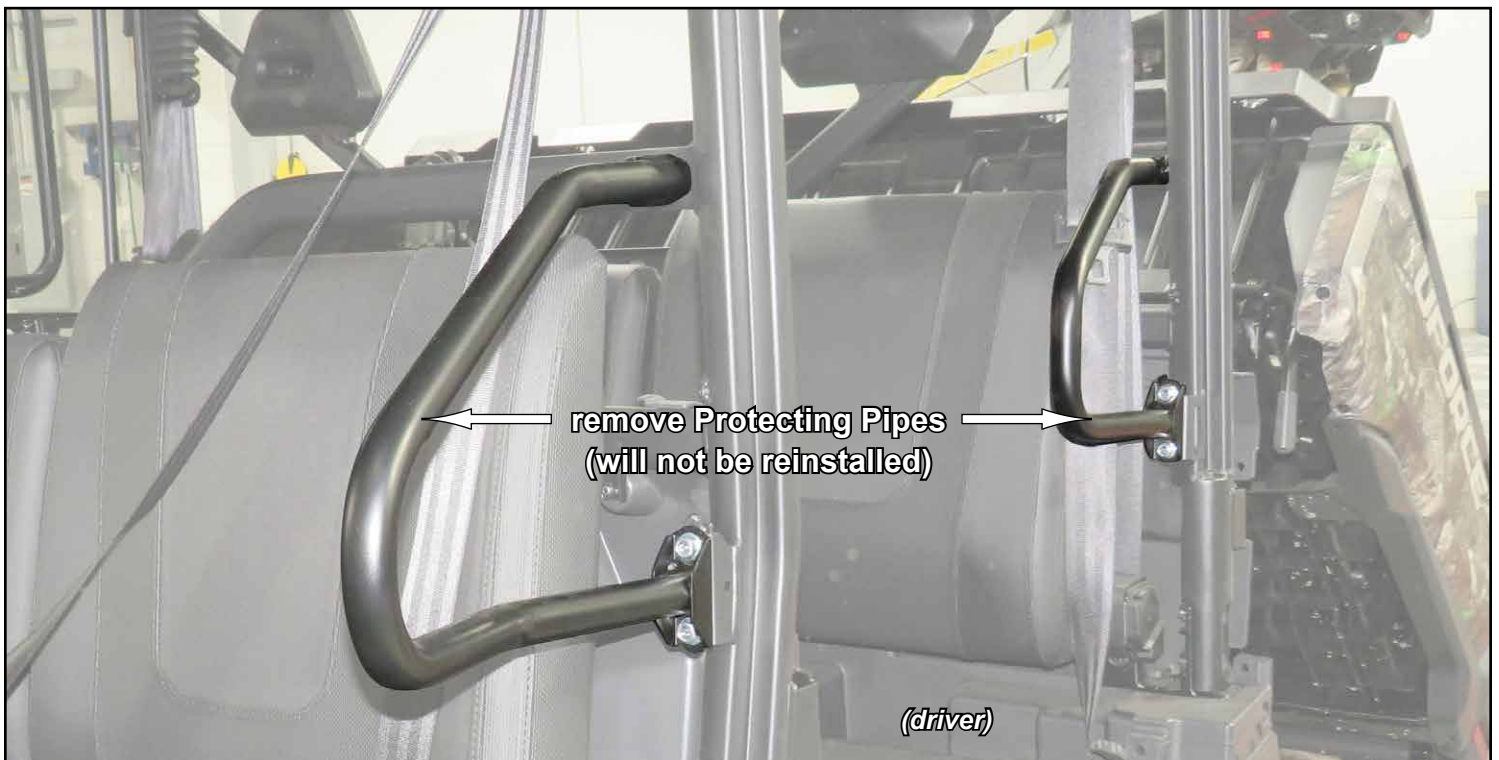
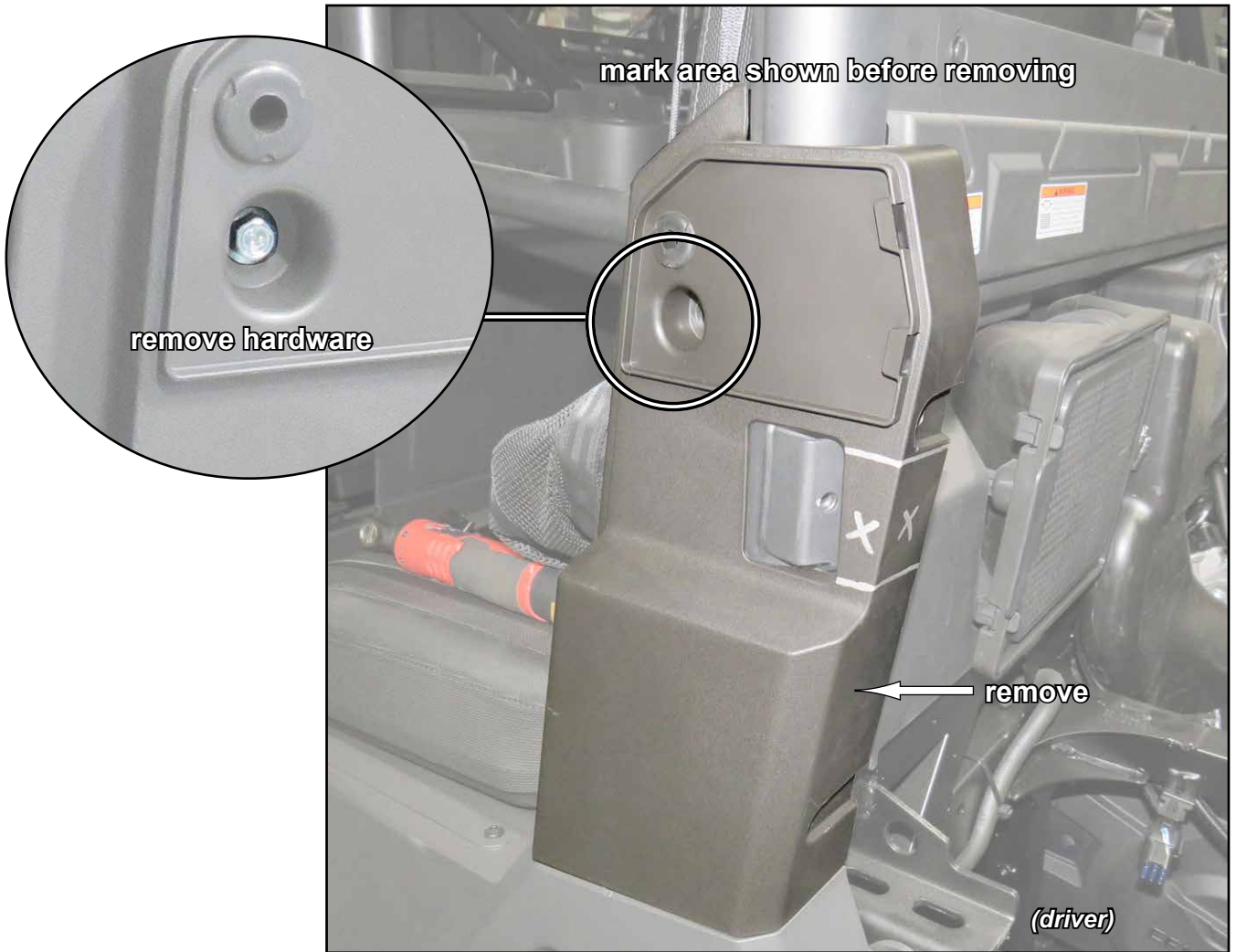
Remove components / hardware shown; do not discard.



Raise Bed and remove components / hardware shown; do not discard.



Remove components / hardware shown; do not discard.

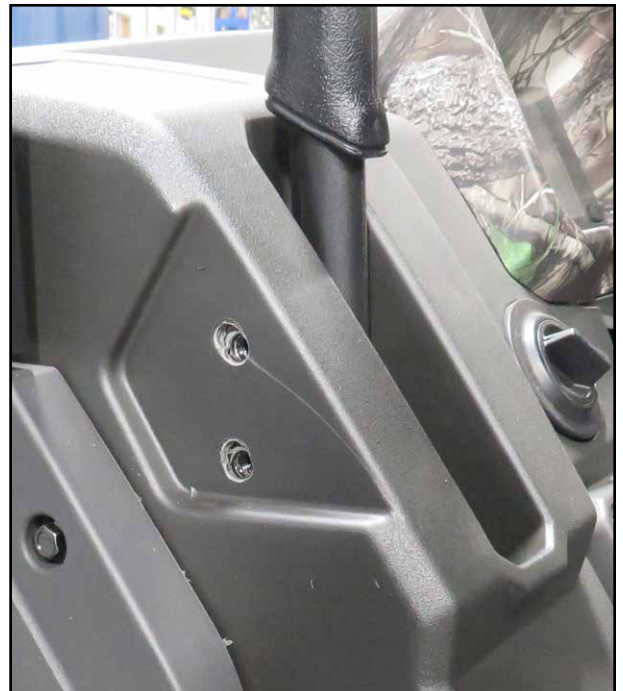




Follow previously made markings and cut out material.

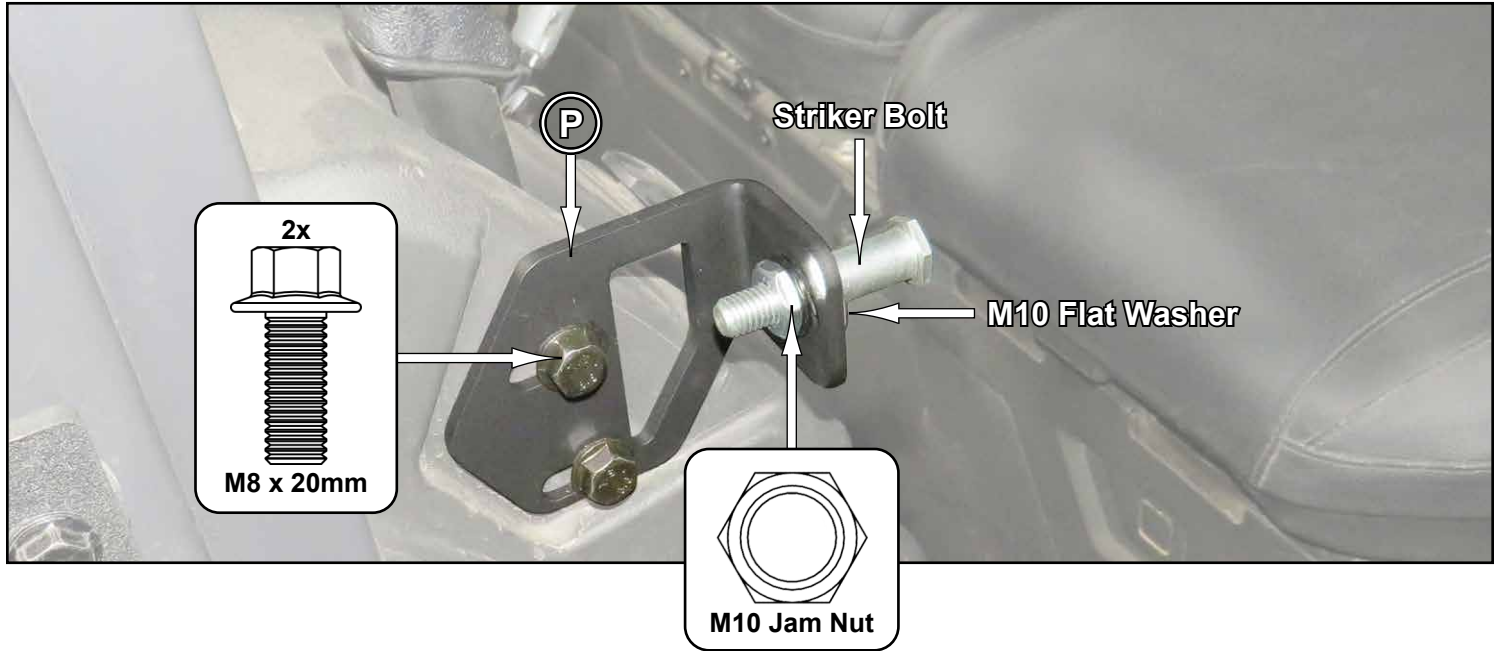


Locate stock markings and drill through plastic.

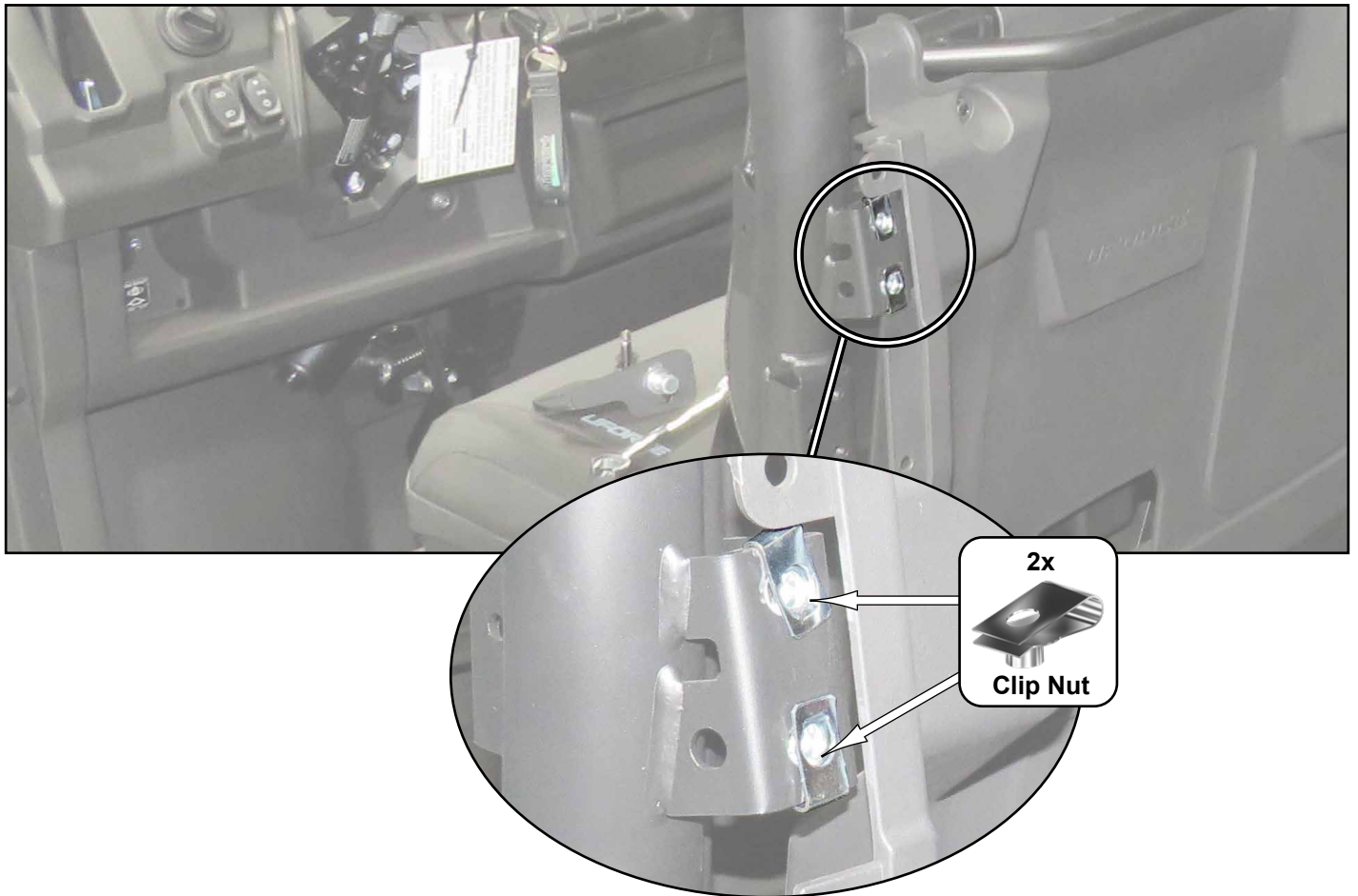


KEEP HARDWARE SNUG BUT NOT COMPLETELY TIGHT

- Install Striker Mount - L (P) to machine with hardware shown.
- Install Striker Bolt and hardware shown to Striker Mount- L (P).



- Install Clip Nuts.

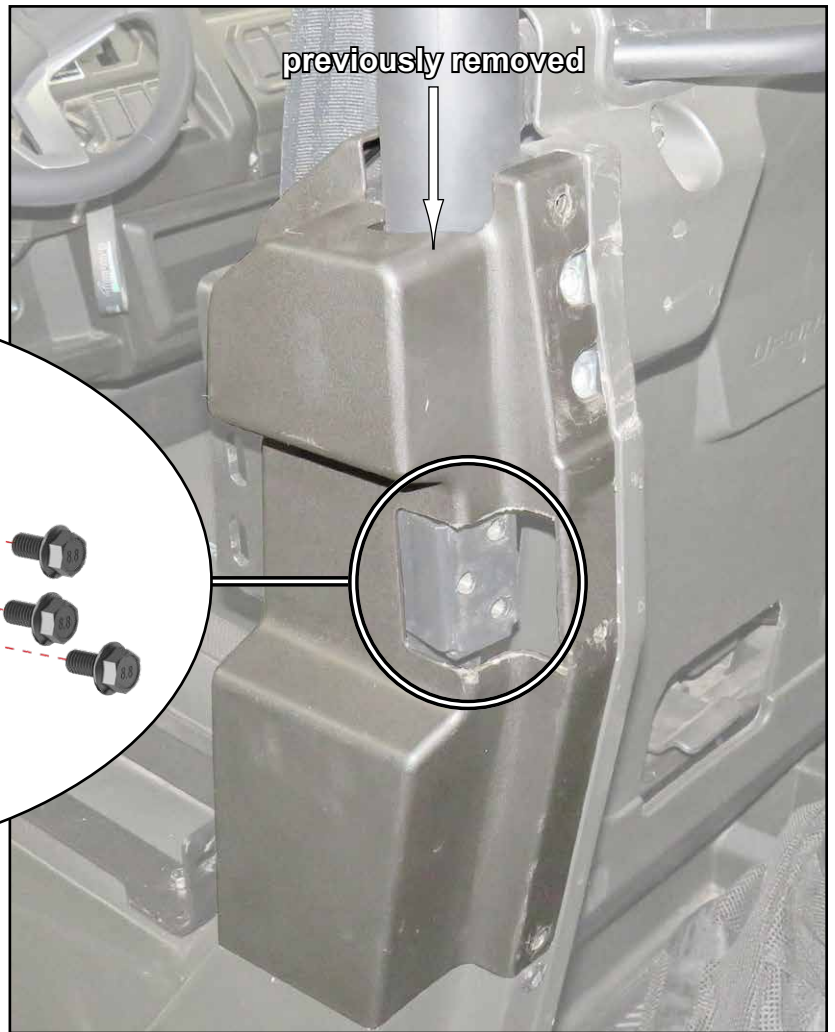


KEEP HARDWARE SNUG BUT NOT COMPLETELY TIGHT

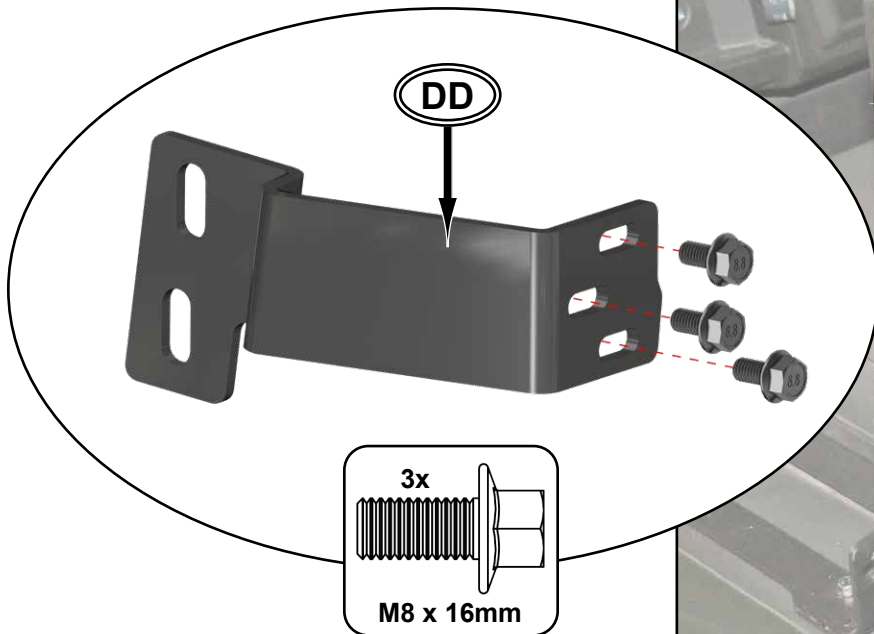
- Install Internal Mount - L (Q) with hardware shown.



- Reinstall previously removed stock plastic.

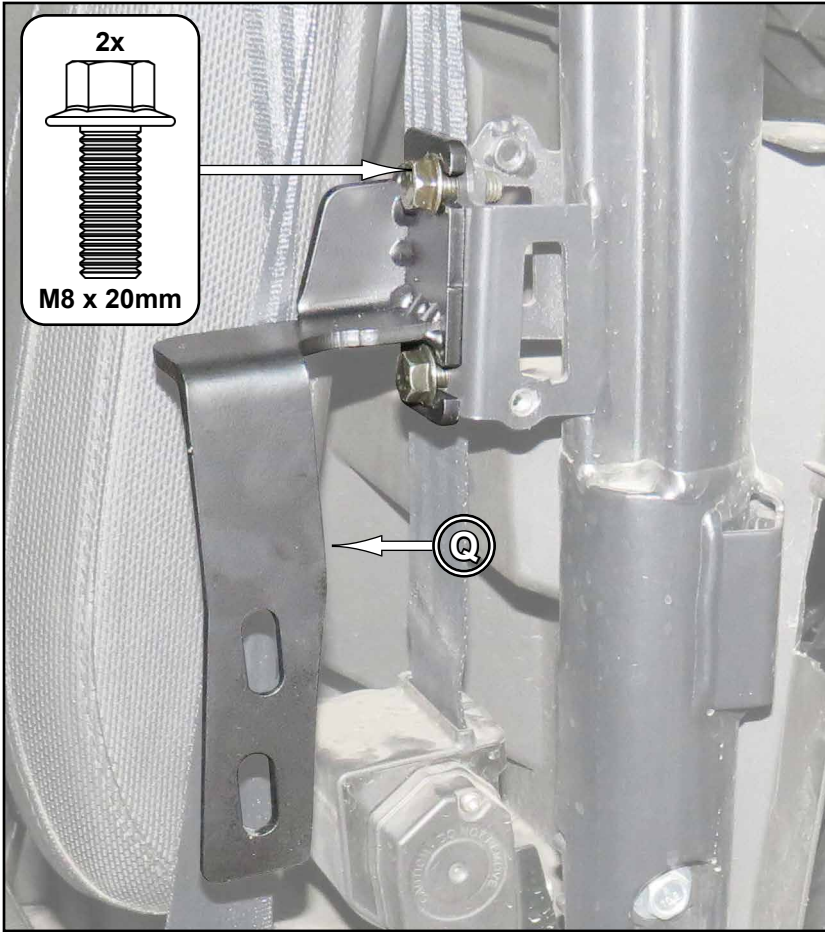


- Install Front Frame Upper Mount - L (DD) to Frame with hardware shown.

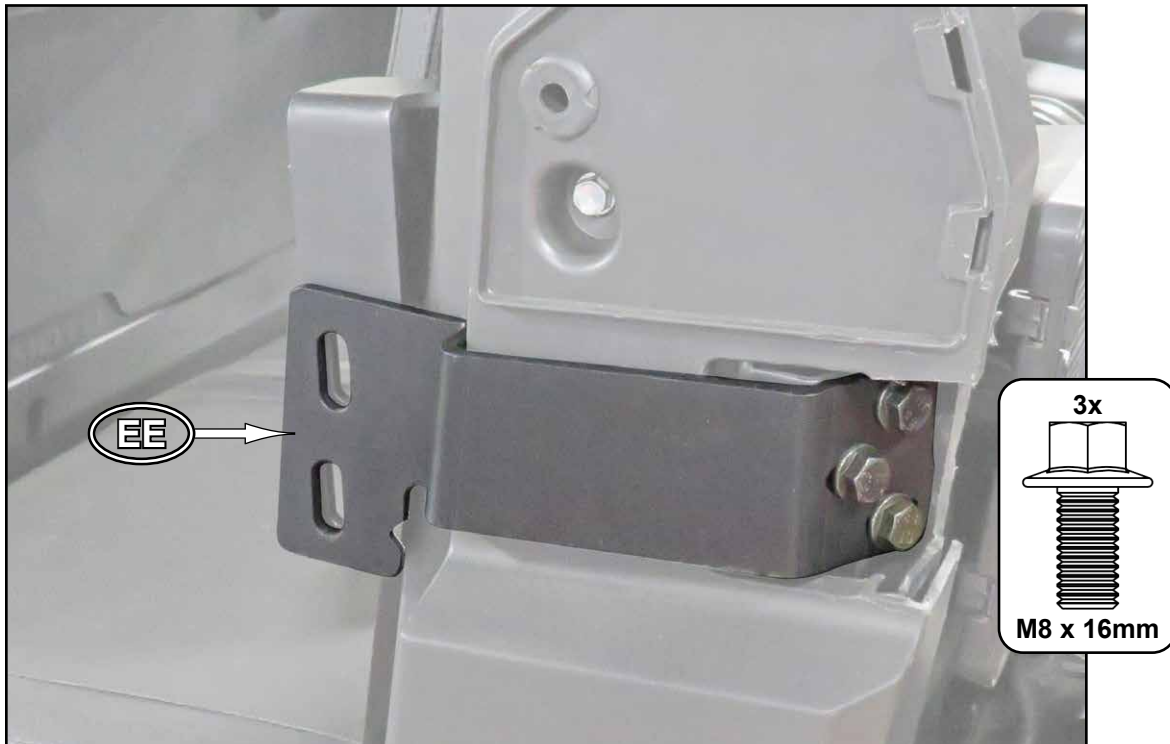


KEEP HARDWARE SNUG BUT NOT COMPLETELY TIGHT

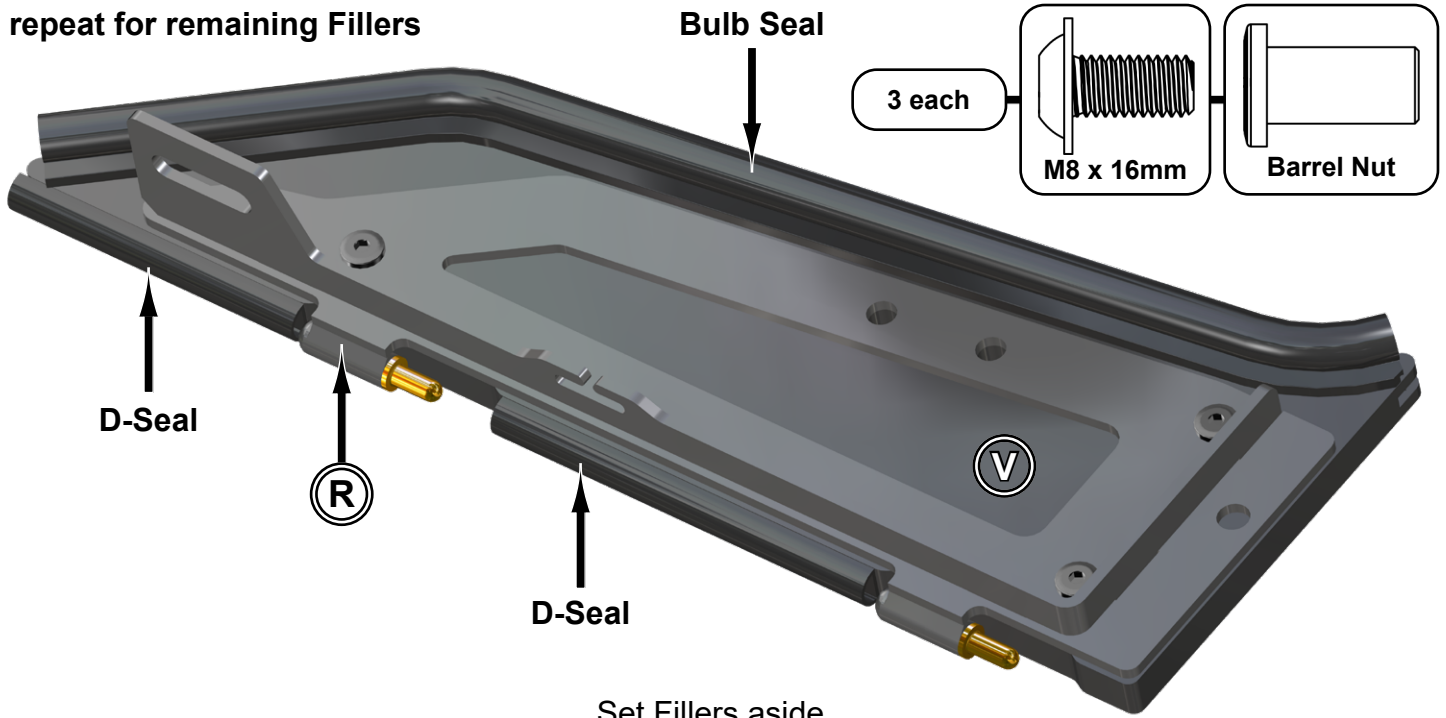
- Install Internal Mount - L (Q) with hardware shown.
- Reinstall previously removed stock plastic.



- Install Rear Frame Mount - L (EE) with hardware shown.



- Install Door Mount - L (R) to Filler Plate (V) with hardware shown; tighten.
 - Install Seals to locations shown.
- repeat for remaining Fillers**

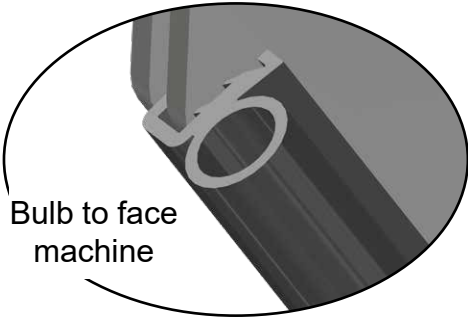


Set Fillers aside.

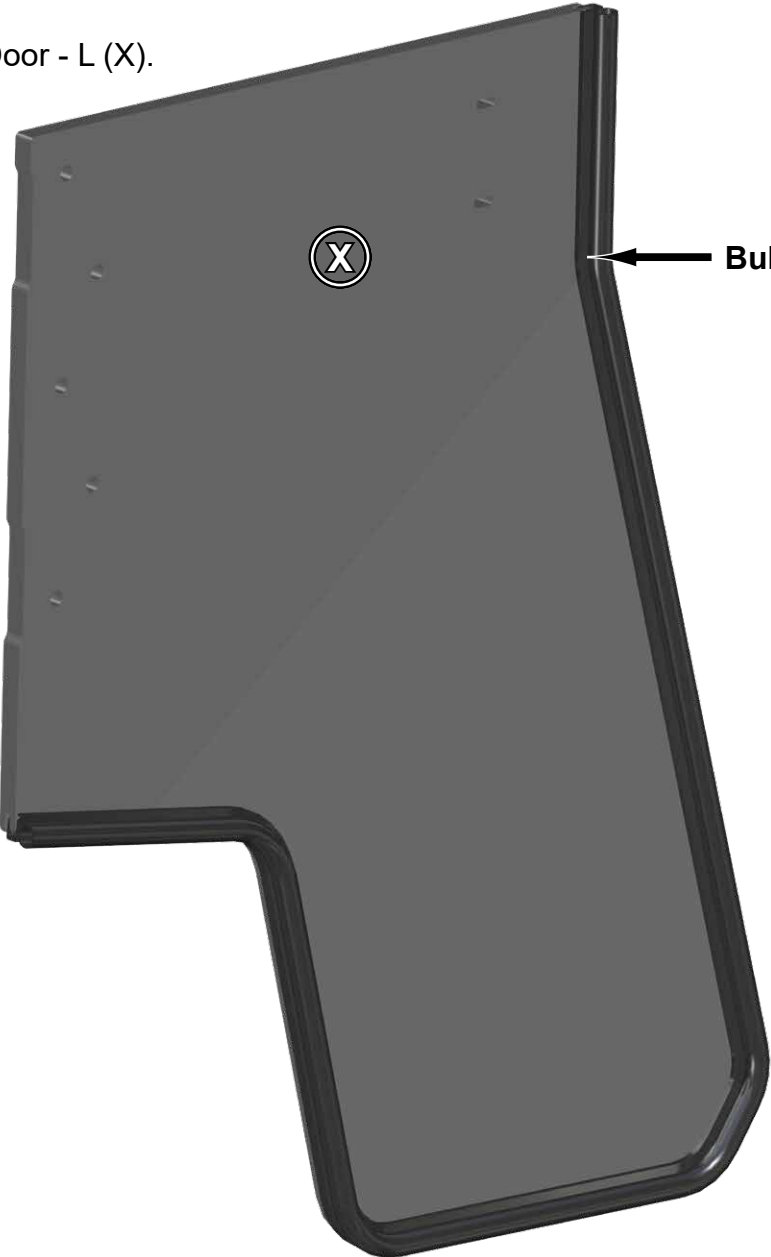
- Install Bulb Seal to locations shown on Front Door - L (W).



- Install Bulb Seal to Rear Door - L (X).

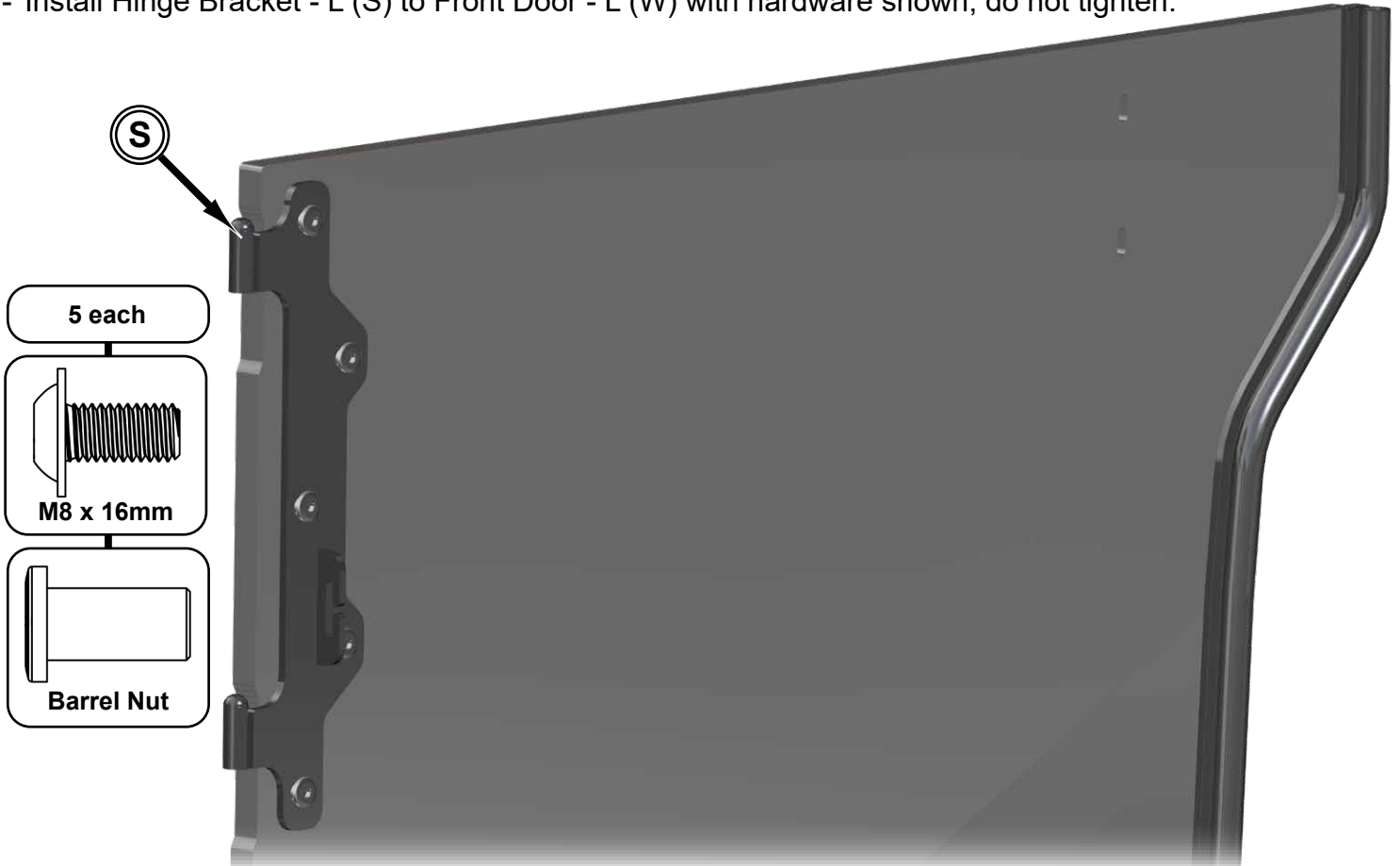


Bulb to face
machine

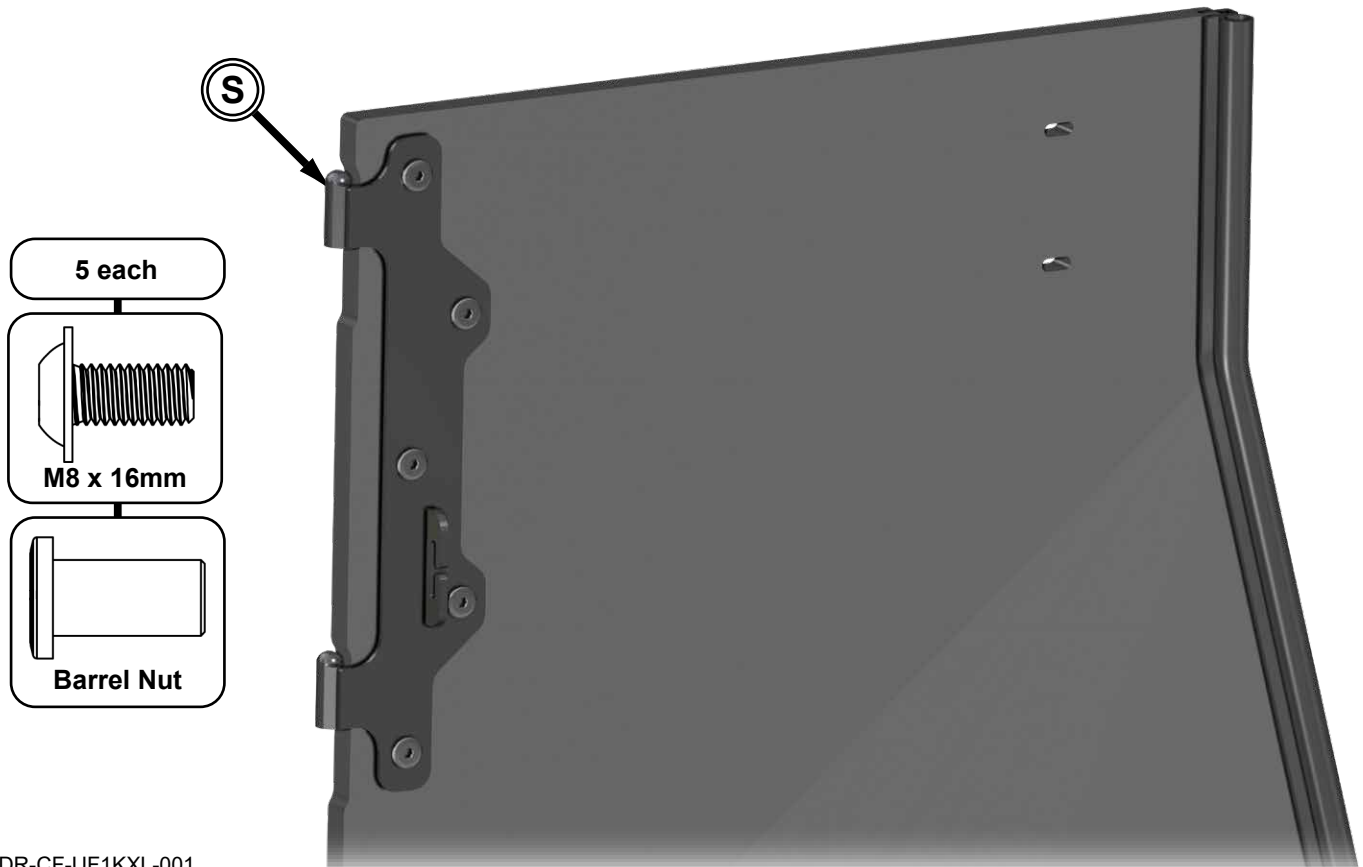


Bulb Seal

- Install Hinge Bracket - L (S) to Front Door - L (W) with hardware shown; do not tighten.

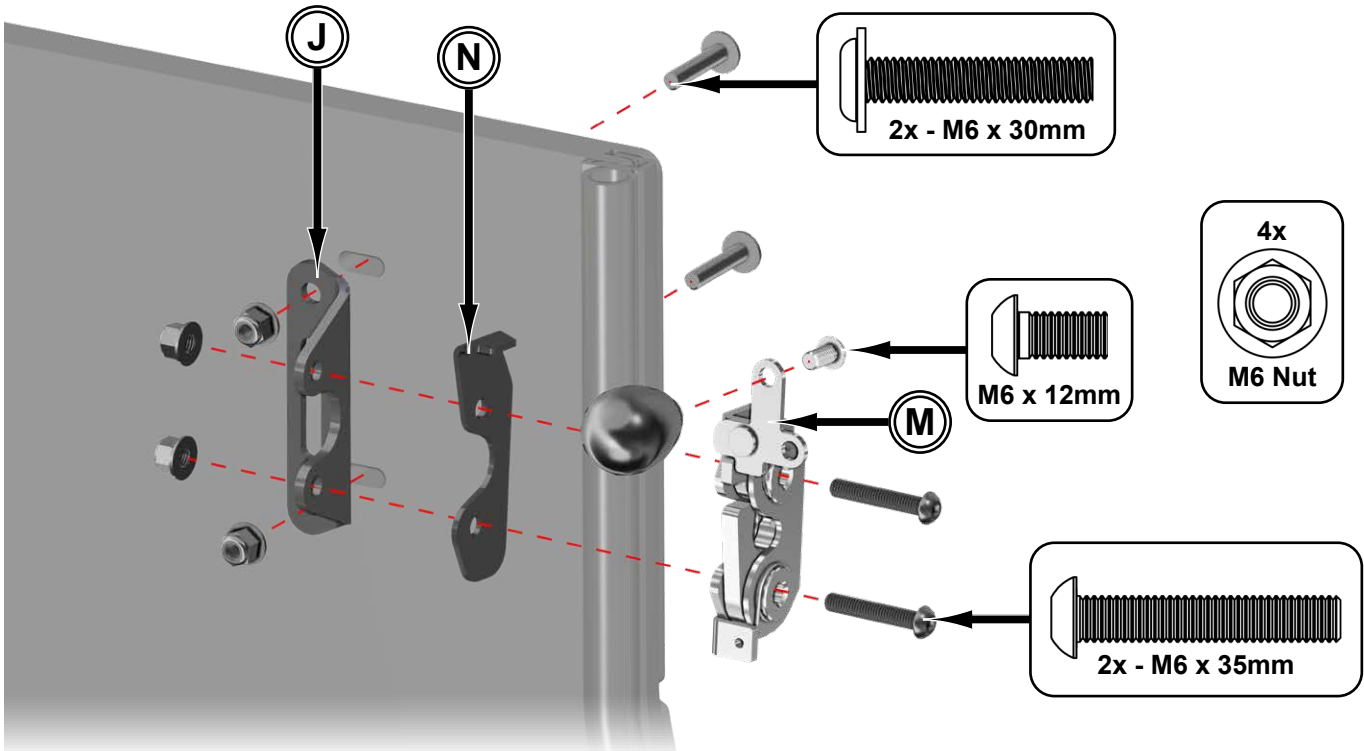


- Install Hinge Bracket - L (S) to Rear Door - L (X) with hardware shown; do not tighten.



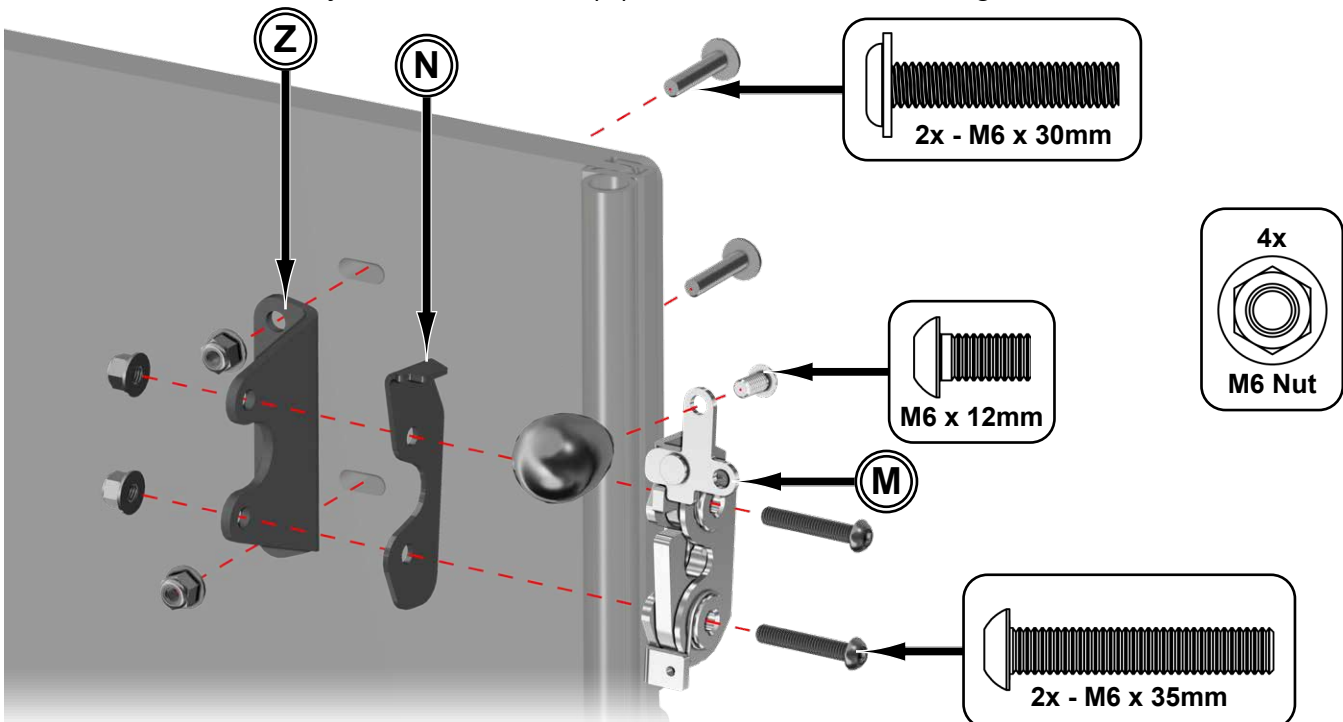
FRONT

- Join Latch Plate - L (N), Front Latch Mount (J), and Latch - L (M) with hardware shown; tighten.
- Install Knob to Latch - L (M) with hardware shown; tighten.
- Install Latch assembly to Front Door - L (W) with hardware shown; tighten.



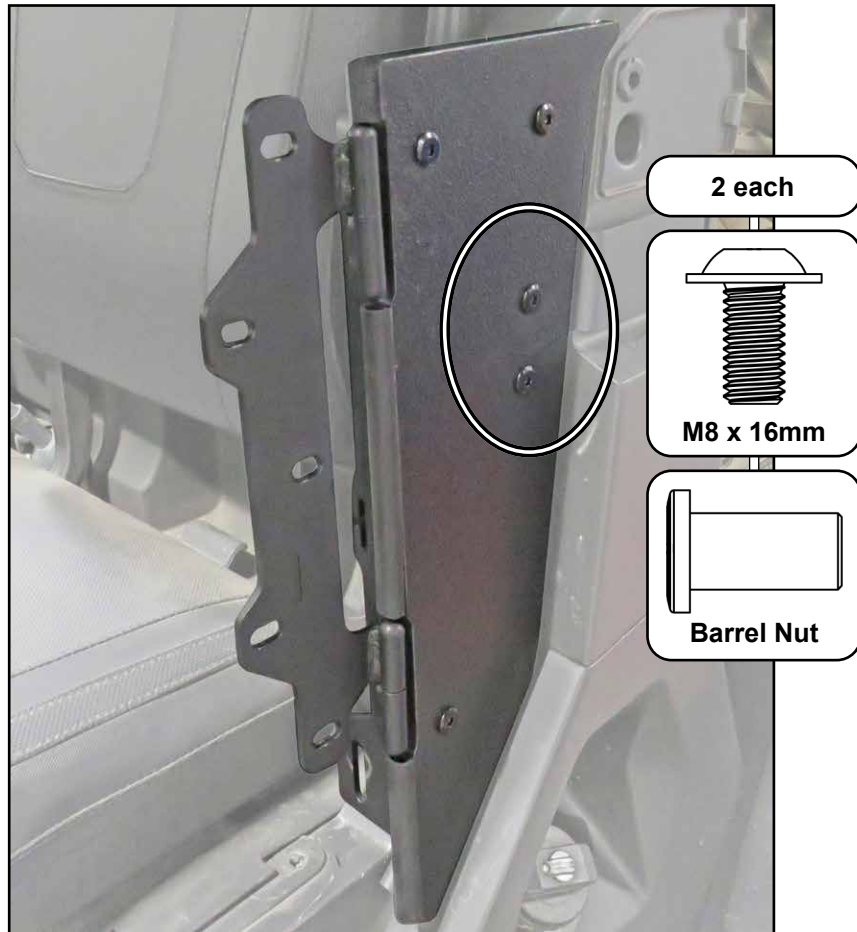
REAR

- Join Latch Plate - L (N), Rear Latch Mount (Z), and Latch - L (M) with hardware shown; tighten.
- Install Knob to Latch - L (M) with hardware shown; tighten.
- Install Latch assembly to Rear Door - L (X) with hardware shown; tighten.

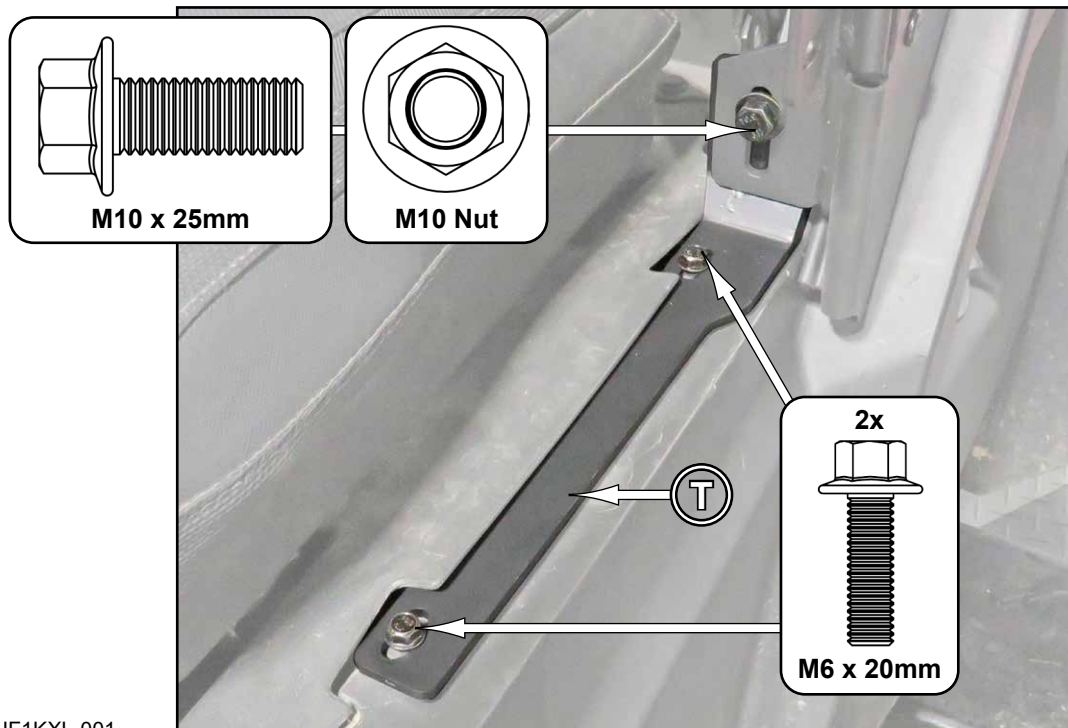


KEEP HARDWARE SNUG BUT NOT COMPLETELY TIGHT

- Install Filler Plate assembly to Internal Mount - L (Q) and Rear Frame Mount - L (EE) with hardware shown.
- Repeat steps for front Filler Plate installation.



- Install Lower Frame Mount - L (T) to machine and Door Mount - L (R) with hardware shown.
- Repeat steps for front installation.



- Install Door - L (W) onto Hinges on Door Mount - L (R).

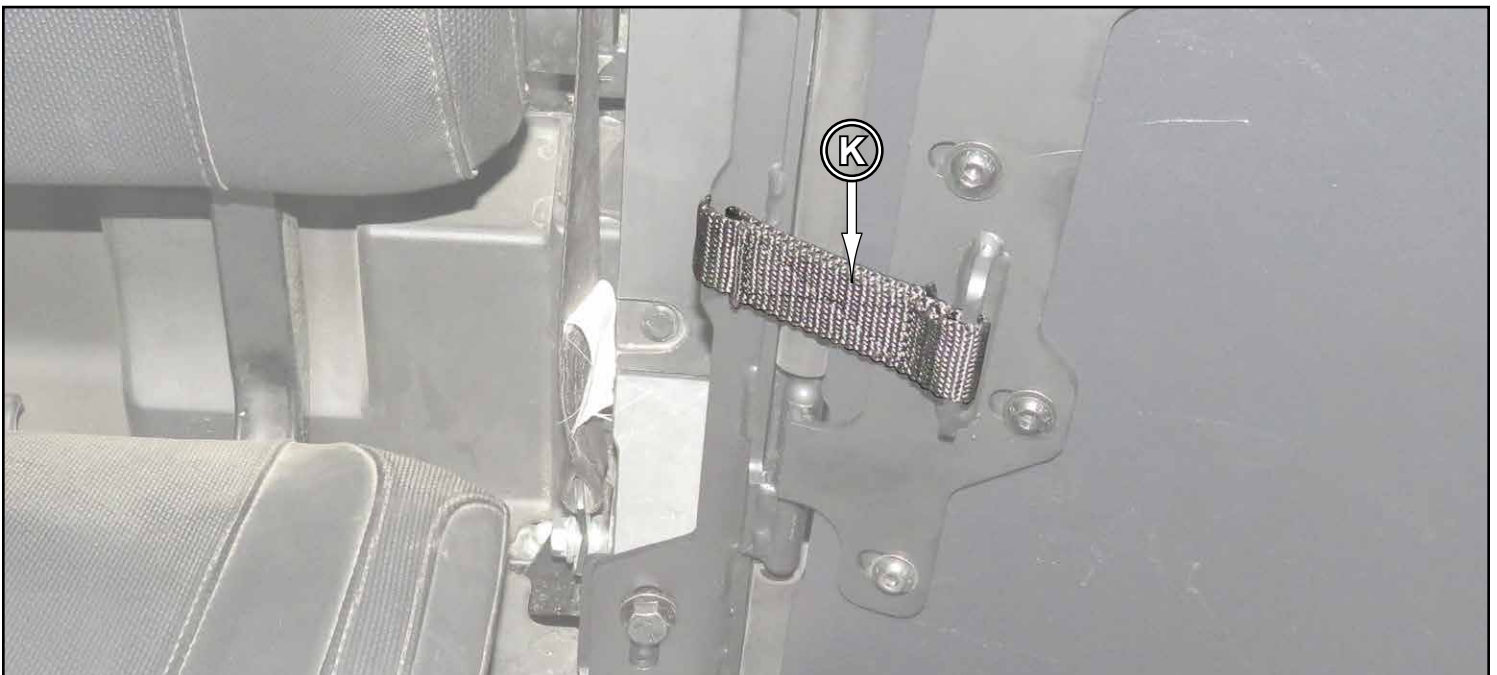


align Door to machine and tighten all hardware completely

use contours in stock plastic as a guide when aligning

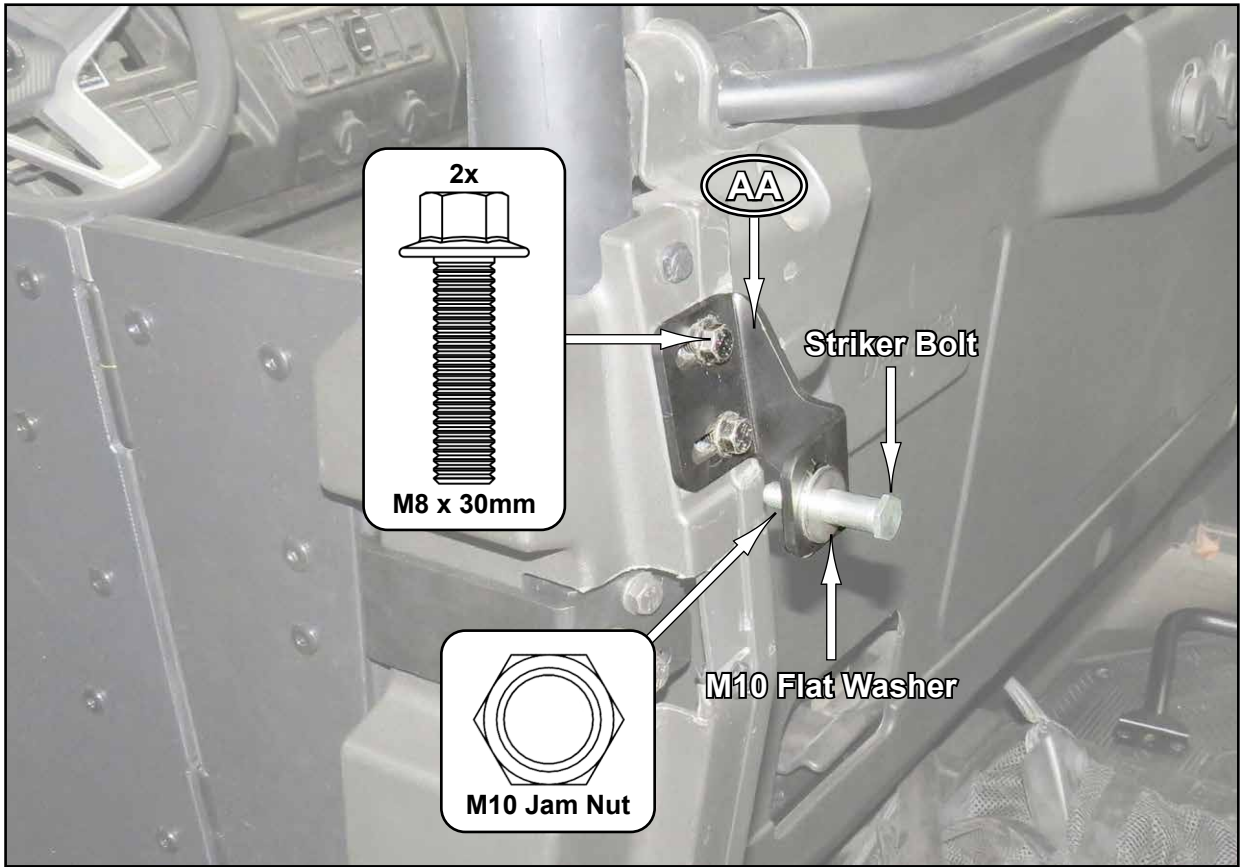


- Install Strap (K) to Door Mount - L (R) and Hinge Bracket - L (S).



KEEP HARDWARE SNUG BUT NOT COMPLETELY TIGHT

- Install Rear Striker Mount - L (AA) to machine with hardware shown.
- Install Striker Bolt and hardware shown to Rear Striker Mount- L (AA).

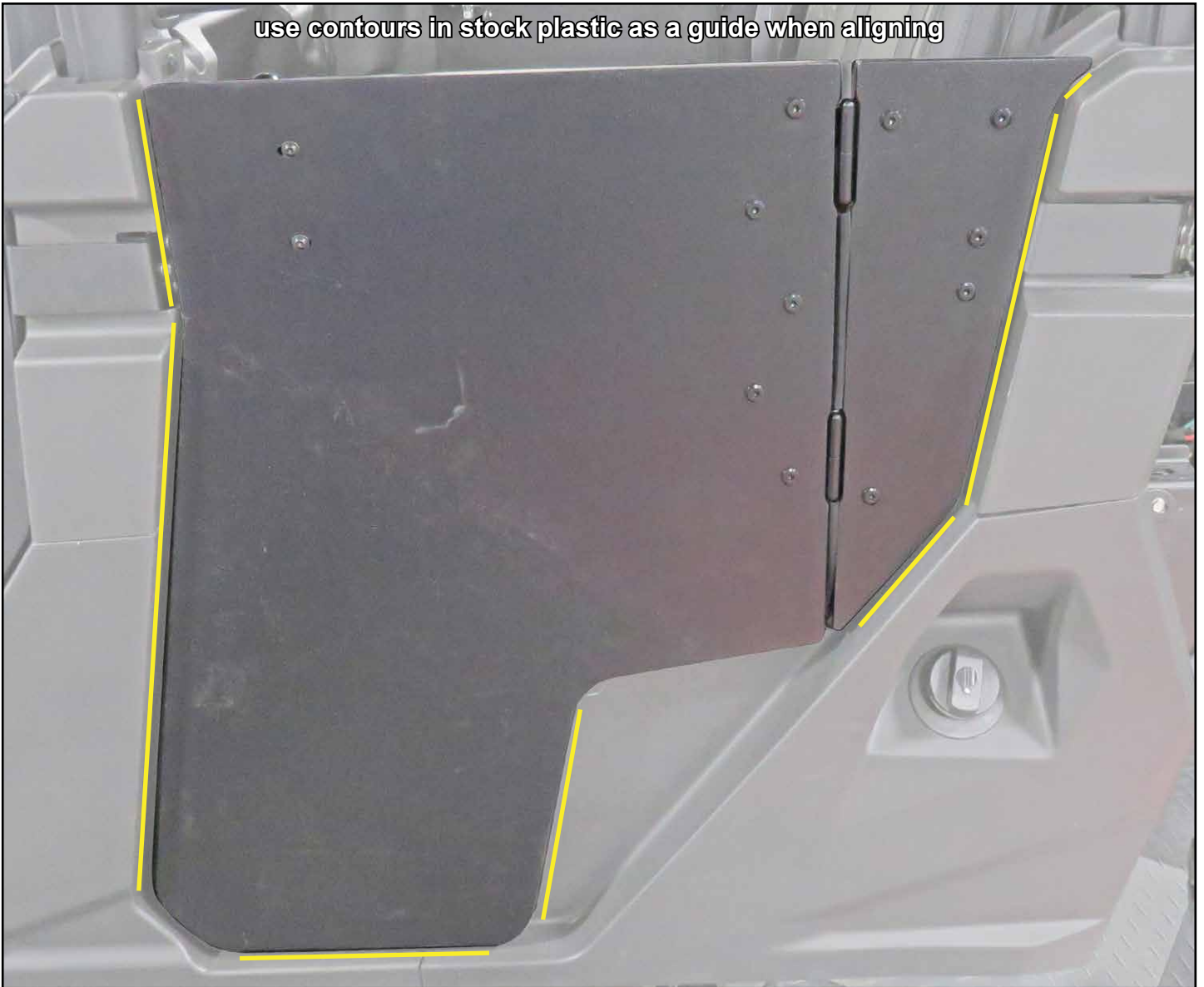




close Door and engage Latch

align Rear Door to machine and tighten all hardware completely

use contours in stock plastic as a guide when aligning



- Repeat steps for passenger side installation.
- Reinstall applicable stock components.

Liability Statement

SuperATV's® products are designed to best fit user's ATV/UTV under stock conditions. Adding, modifying, or fabricating any factory or aftermarket parts will void any warranty provided by SuperATV® and is not recommended. SuperATV's® products could interfere with other aftermarket accessories. If user has aftermarket products on machine, contact SuperATV® to verify that they will work together.

Although SuperATV® has thousands of satisfied customers, user should be aware that installing lift kits, long travel, or suspension kits, tires, etc. will change the ride of machine and may increase maintenance and part wear. Operating any off-road machine while, or after, consuming alcohol and/or drugs increases risk of bodily harm or death. No warranty or representation is made as to this product's ability to protect user from severe injury or death. SuperATV® urges operators and occupants to wear a helmet and appropriate riding gear at all times.

By purchasing and installing SuperATV® products, user agrees that should damages occur, SuperATV® will not be held responsible for loss of time, use, labor fees, replacement parts, or freight charges. SuperATV®, nor any 3rd party, will not be held responsible for any direct, indirect, incidental, special, or consequential damages that result from any product purchased from SuperATV®. The total liability of seller to user for all damages, losses, and causes of action, if any, shall not exceed the total purchase price paid for the product that gave rise to the claim.

SuperATV® will warranty only parts provided by SuperATV®. Any damage or problems with OEM housings, bearings, seals, or other manufacturers' products will not be covered by SuperATV®. SuperATV® parts and products are not warranted if item was not installed properly, misused, or modified.

Installing, adding, modifying, or fabricating any factory or aftermarket product to your ATV/UTV may violate certain local, state, and federal laws. Be advised that laws vary depending on town, city, county, state, etc. Use of certain products on public streets, roads, or highways may be in violation law. The Buyer is solely and exclusively legally and personally responsible for any violation of the law by the installation or use of the product. You must abide by all local, state, and federal laws, including but not limited to vehicle safety, traffic laws, and ordinances. It is your responsibility to know the laws and how they apply to you.

The Buyer is responsible to fully understand the capability and limitations of his/her vehicle according to manufacturer specifications, warnings and instructions and agrees to hold SuperATV® harmless from any damage resulting from failure to adhere to such specifications, warnings and/ or instructions. The Buyer is also responsible to obey all applicable federal, state, and local laws and ordinances when operating his/her vehicle while using this product, and the Buyer agrees to hold SuperATV® harmless from any violation thereof.