

- Drill pilot holes before installing self-tapping screws.
- Keep hardware snug when securing components.
- Do not discard packaging until product has been successfully installed.
- Discard any remaining hardware.

Liability Statement

SuperATV's[®] products are designed to best fit user's ATV/UTV under stock conditions. Adding, modifying, or fabricating any factory or aftermarket parts will void any warranty provided by SuperATV[®] and is not recommended. SuperATV's[®] products could interfere with other aftermarket accessories. If user has aftermarket products on machine, contact SuperATV[®] to verify that they will work together.

Although SuperATV[®] has thousands of satisfied customers, user should be aware that installing lift kits, long travel, or suspension kits, tires, etc. will change the ride of machine and may increase maintenance and part wear. Operating any off-road machine while, or after, consuming alcohol and/or drugs increases risk of bodily harm or death. No warranty or representation is made as to this product's ability to protect user from severe injury or death. SuperATV[®] urges operators and occupants to wear a helmet and appropriate riding gear at all times.

By purchasing and installing SuperATV[®] products, user agrees that should damages occur, SuperATV[®] will not be held responsible for loss of time, use, labor fees, replacement parts, or freight charges. SuperATV[®], nor any 3rd party, will not be held responsible for any direct, indirect, incidental, special, or consequential damages that result from any product purchased from SuperATV[®]. The total liability of seller to user for all damages, losses, and causes of action, if any, shall not exceed the total purchase price paid for the product that gave rise to the claim.

SuperATV[®] will warranty only parts provided by SuperATV[®]. Any damage or problems with OEM housings, bearings, seals, or other manufacturers' products will not be covered by SuperATV[®]. SuperATV[®] parts and products are not warrantied if item was not installed properly, misused, or modified.

Installing, adding, modifying, or fabricating any factory or aftermarket product to your ATV/UTV may violate certain local, state, and federal laws. Be advised that laws vary depending on town, city, county, state, etc. Use of certain products on public streets, roads, or highways may be in violation law. The Buyer is solely and exclusively legally and personally responsible for any violation of the law by the installation or use of the product. You must abide by all local, state, and federal laws, including but not limited to vehicle safety, traffic laws, and ordinances. It is your responsibility to know the laws and how they apply to you.

The Buyer is responsible to fully understand the capability and limitations of his/her vehicle according to manufacturer specifications, warnings and instructions and agrees to hold SuperATV[®] harmless from any damage resulting from failure to adhere to such specifications, warnings and/ or instructions. The Buyer is also responsible to obey all applicable federal, state, and local laws and ordinances when operating his/her vehicle while using this product, and the Buyer agrees to hold SuperATV[®] harmless from any violation thereof.

Need help with your installation?



sales@superatv.com



www.superatv.com



1-855-743-3427



8:00am - 8:00pm EST M-Th
8:00am - 7:00pm EST Friday
9:00am - 2:00pm EST Saturday

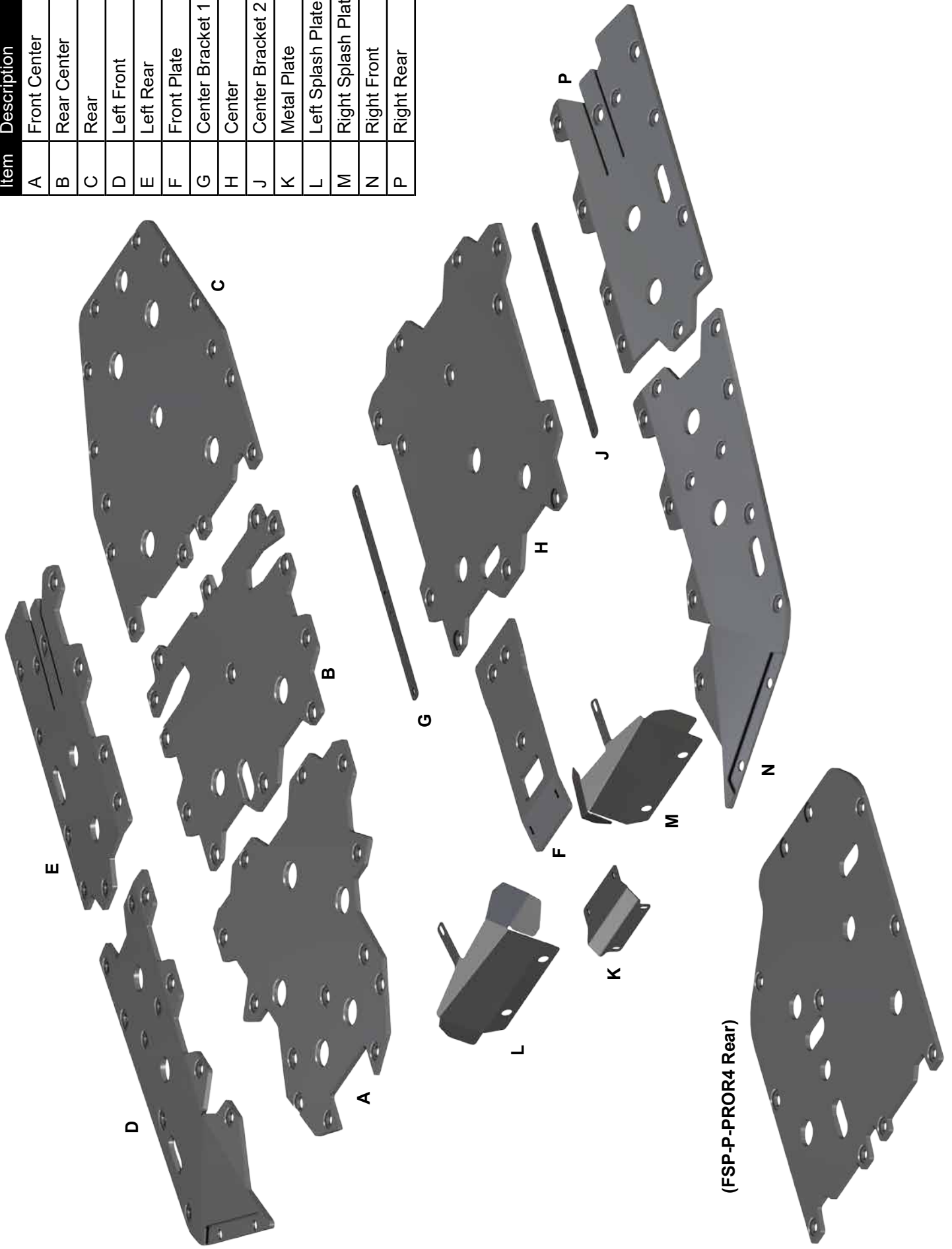
Read instructions and view illustrations before beginning.

Thank You

For Choosing

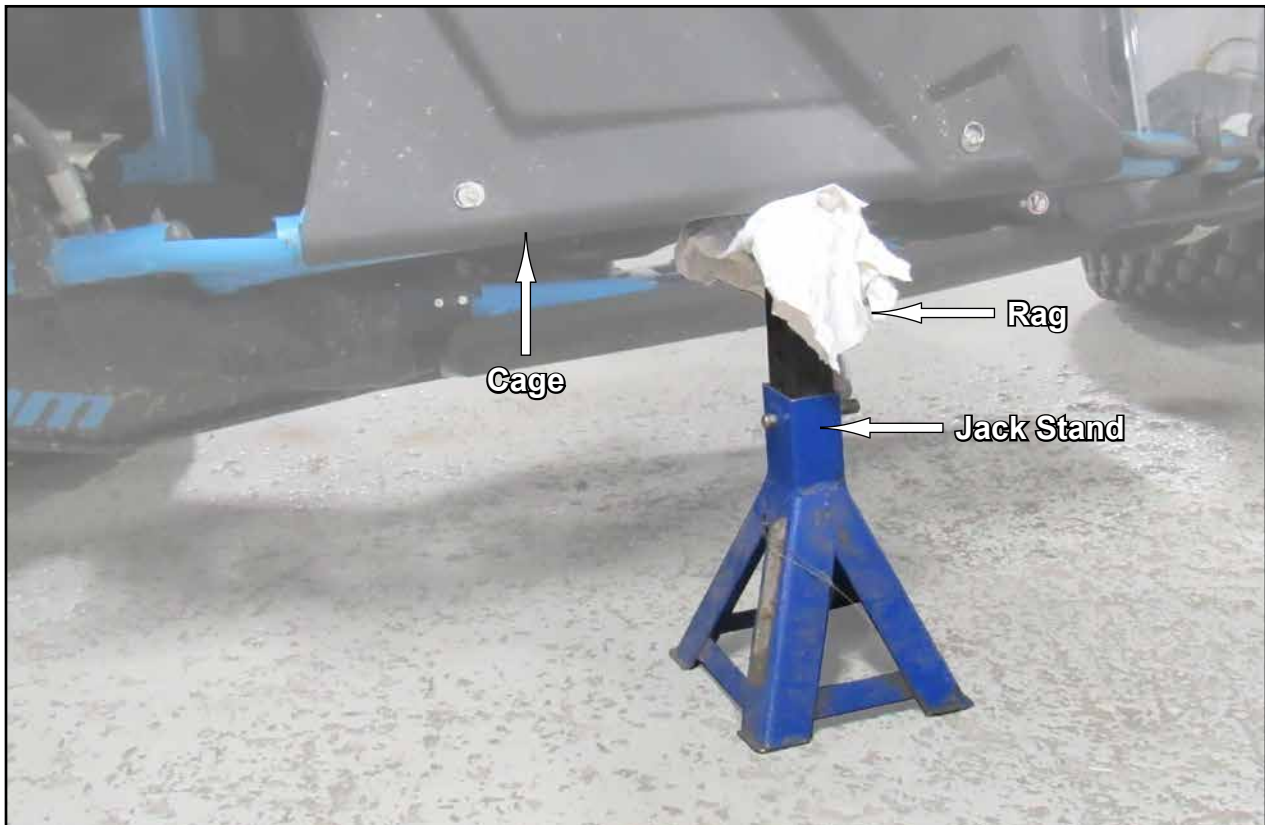
SUPERATV.COM[®]

Item	Description
A	Front Center
B	Rear Center
C	Rear
D	Left Front
E	Left Rear
F	Front Plate
G	Center Bracket 1
H	Center
J	Center Bracket 2 x 2
K	Metal Plate
L	Left Splash Plate
M	Right Splash Plate
N	Right Front
P	Right Rear



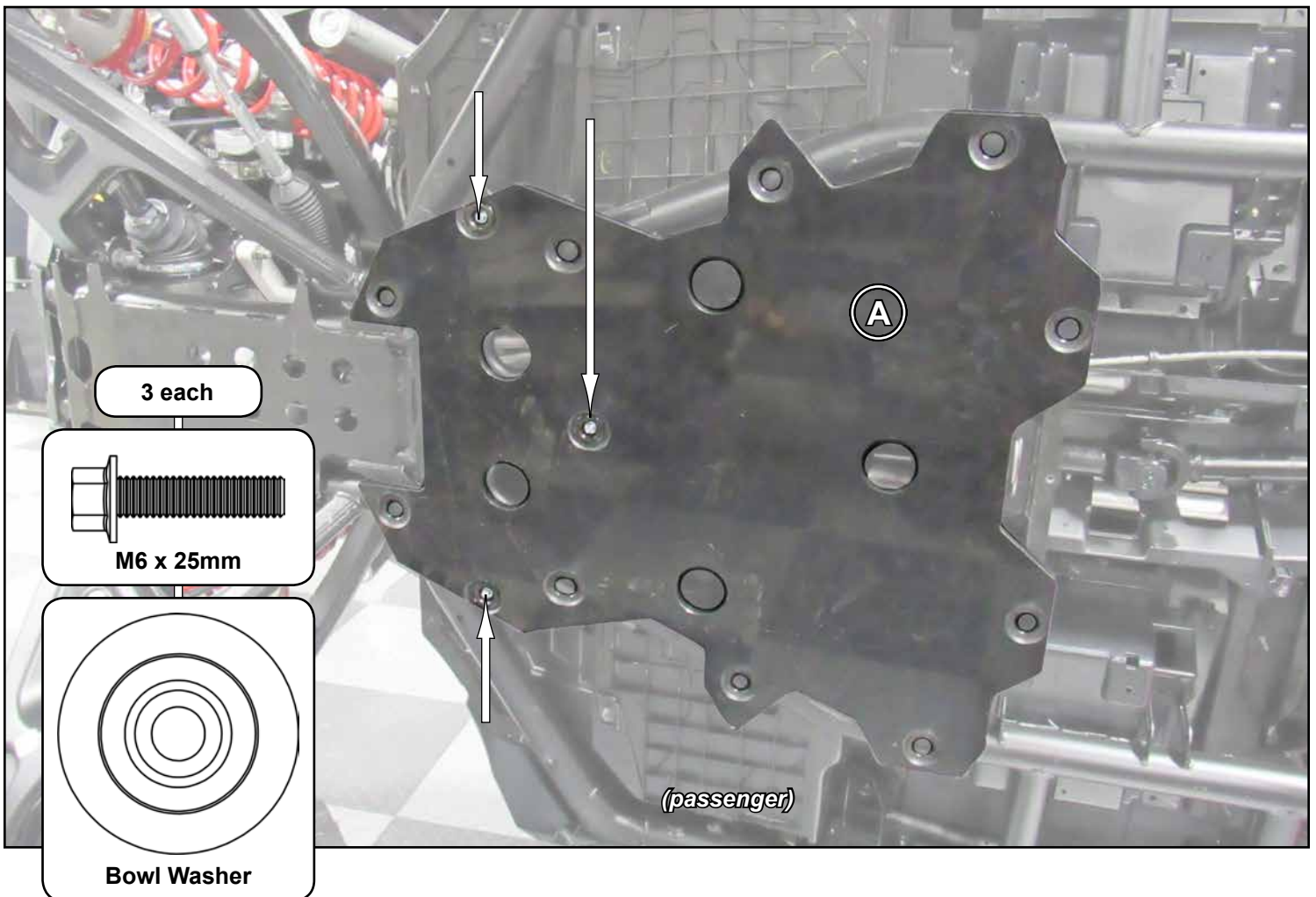
Vehicle Flip: *SuperATV's recommended installation method; use caution.*

- To prevent scratching Cage, place a rag or other suitable material on Jack Stand.
- With helpers, slowly flip machine onto its side; have helpers on opposite side to guide machine onto Jack Stand.

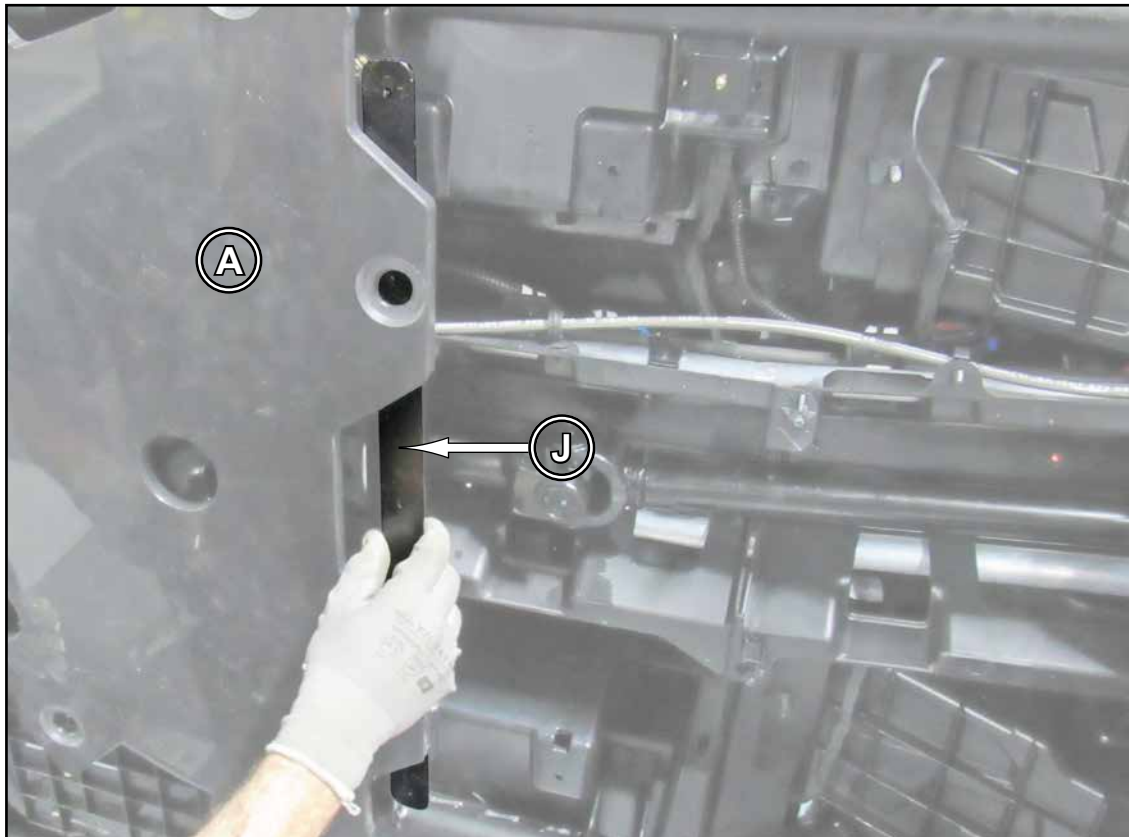
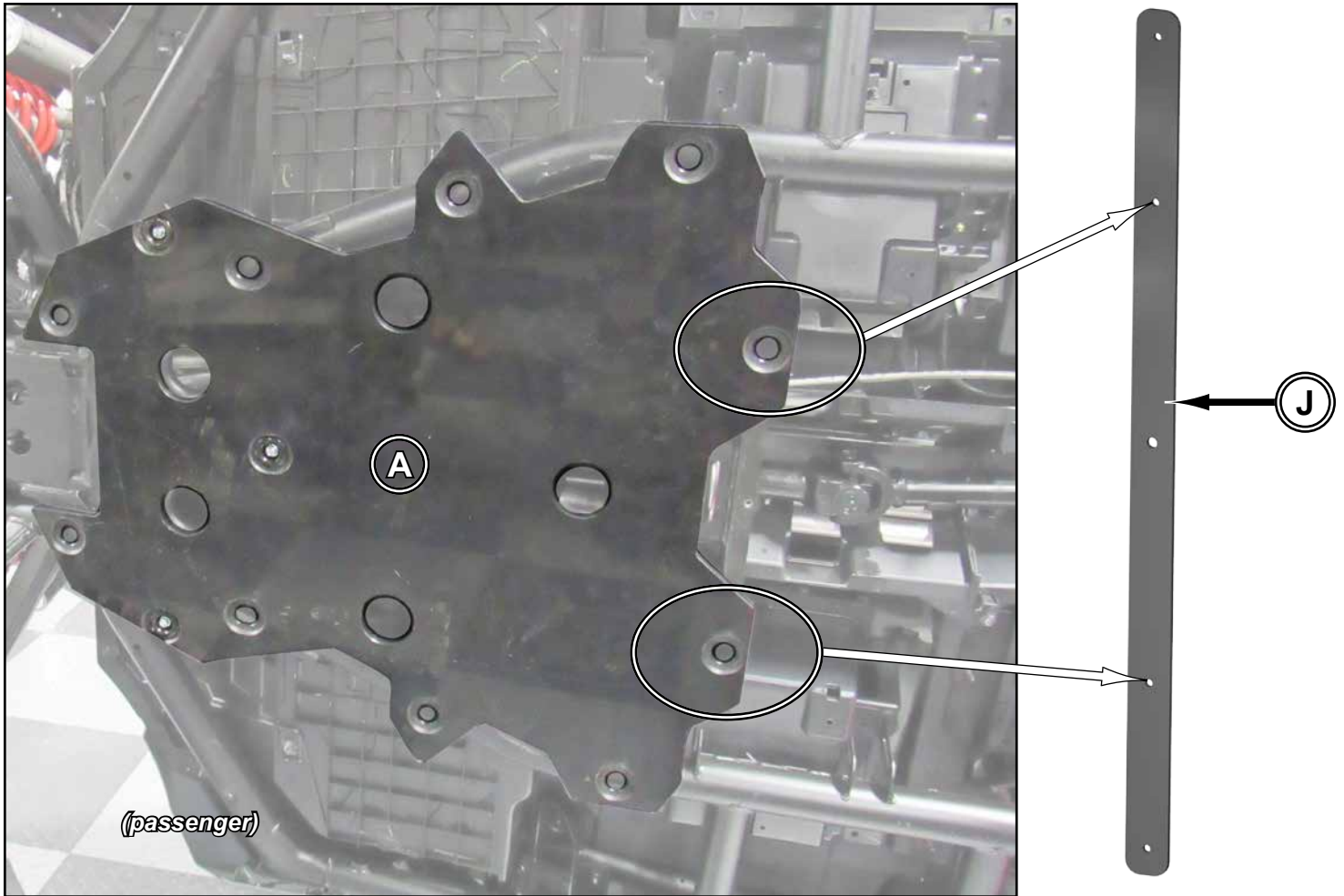




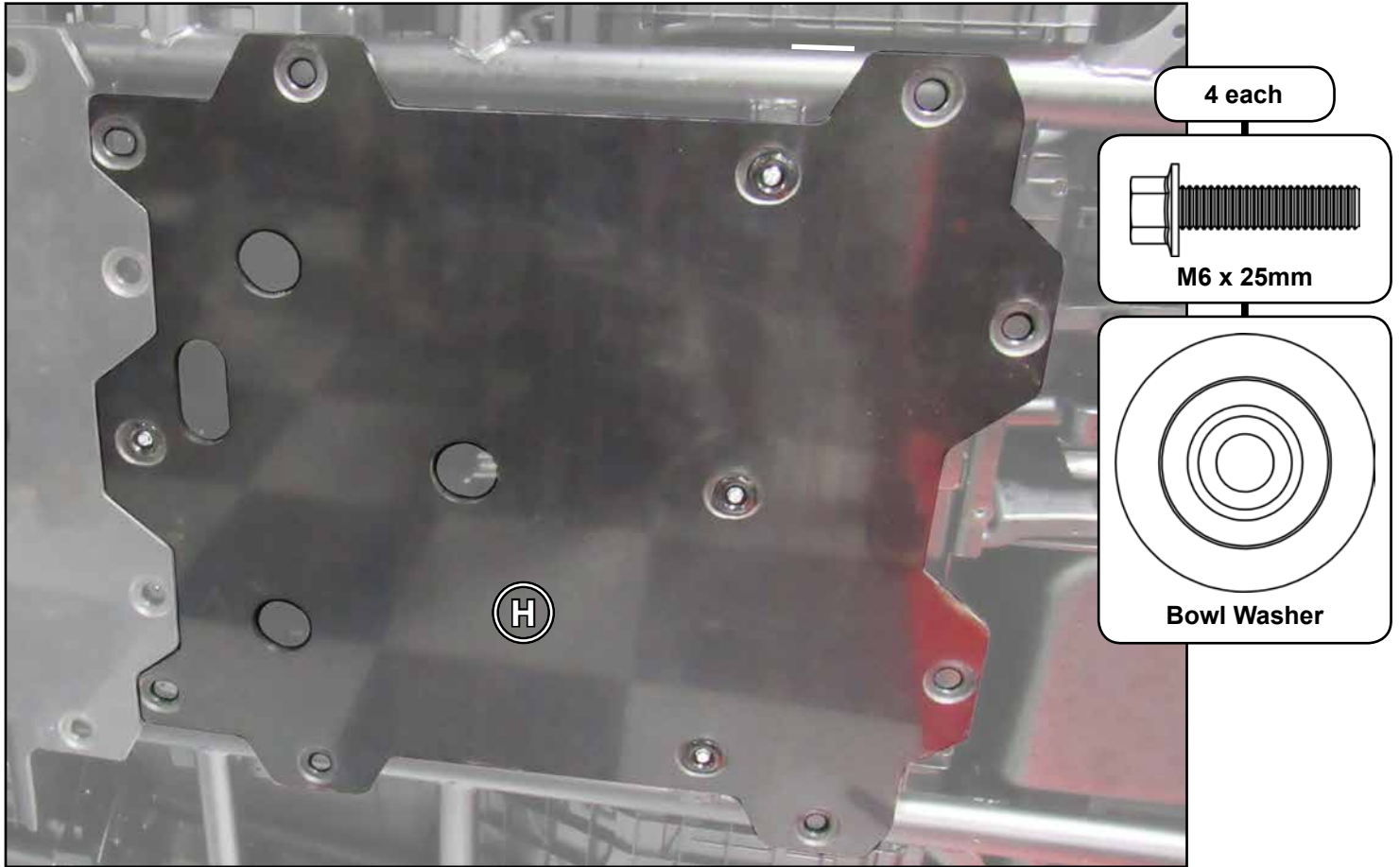
- Install Front Center (A) to stock mounting locations with hardware shown.



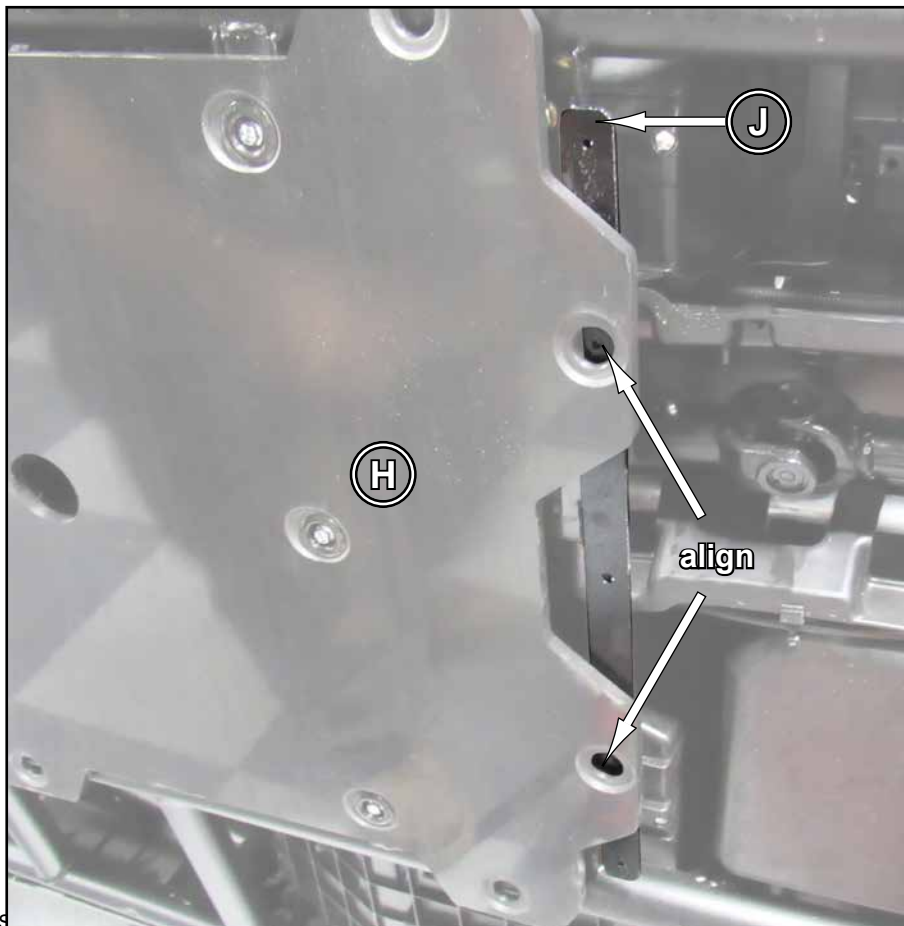
- Place Center Bracket 2 (J) between Frame and Front Center (A).
- Align holes shown.



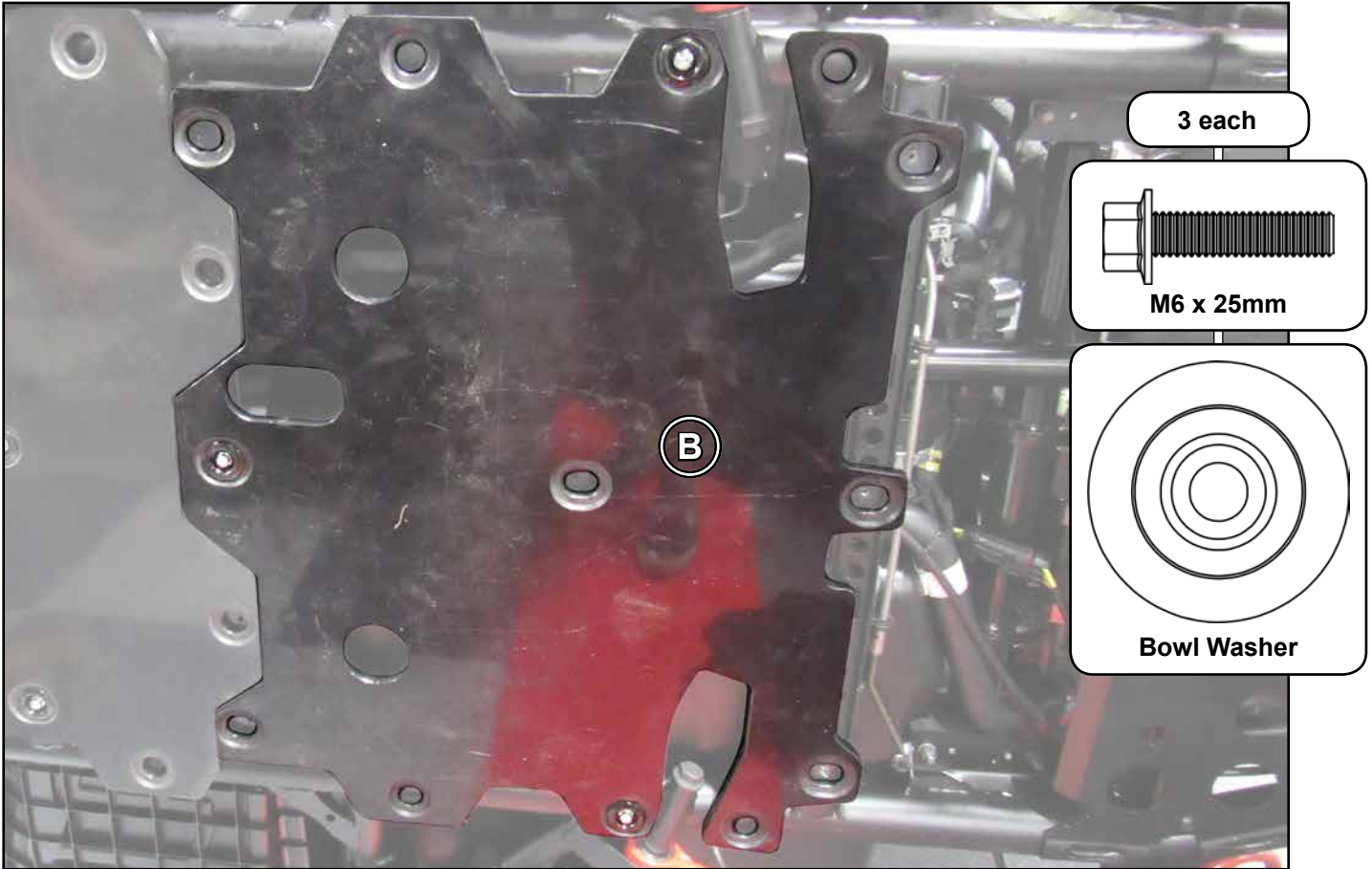
- Install Center (H) to stock mounting locations with hardware shown.



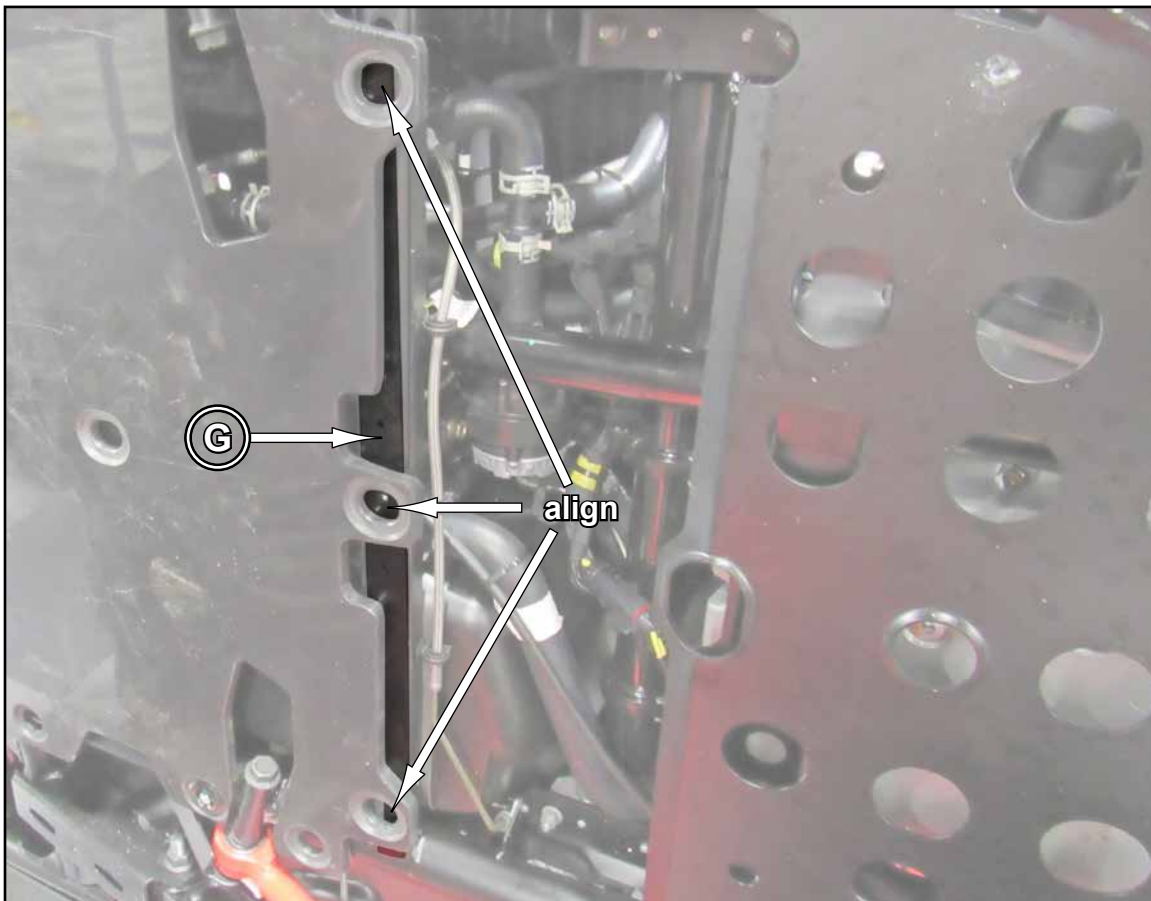
- Place Center Bracket 2 (J) between Frame and Center (H).
- Align holes shown.



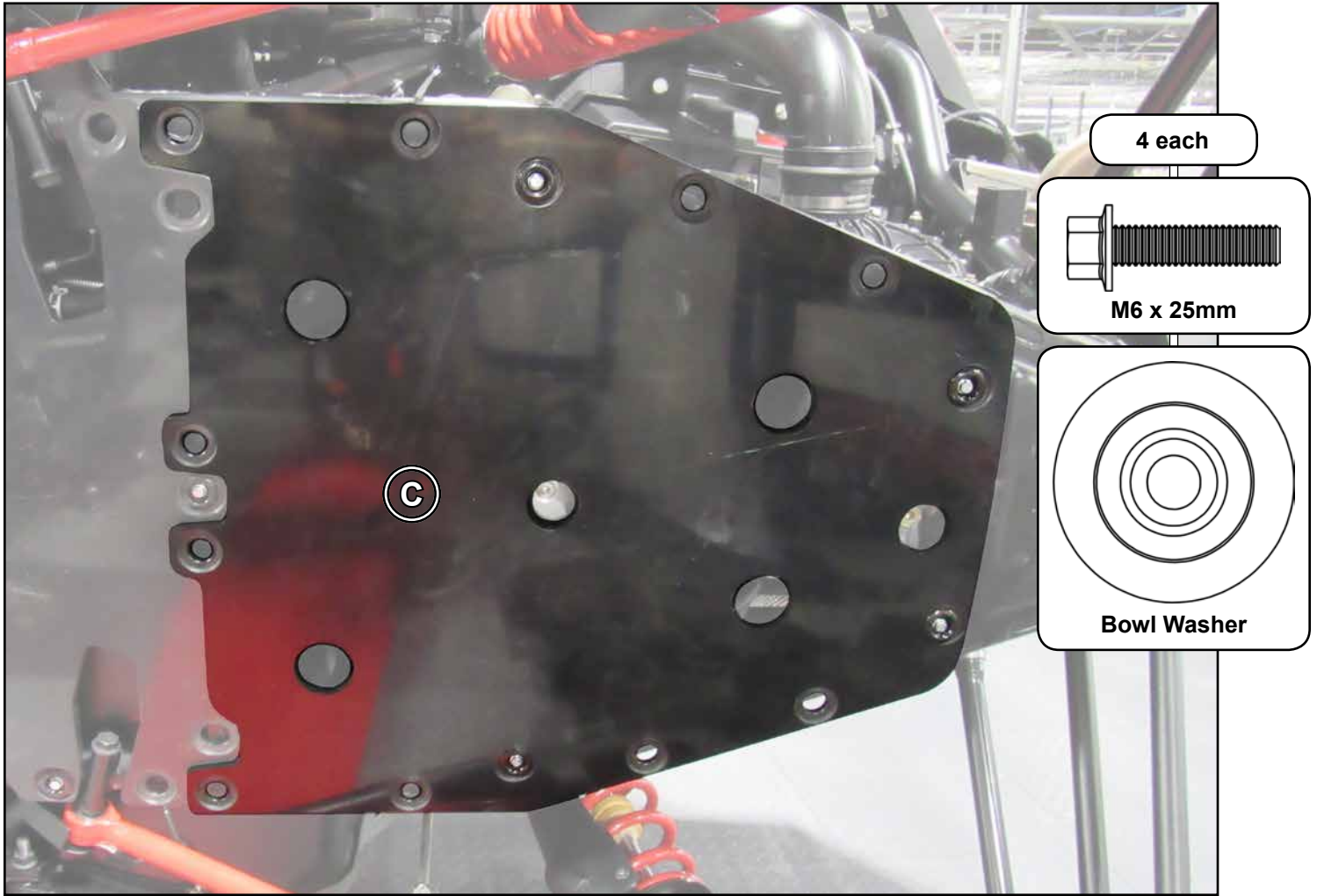
- Install Rear Center (B) to stock mounting locations with hardware shown.



- Place Center Bracket 1 (G) between Frame and Rear Center (B).
- Align holes shown.

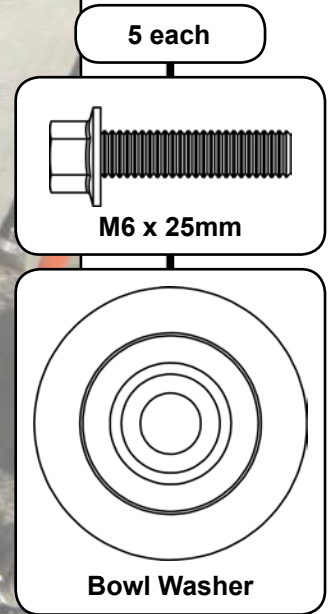


- Install Rear (C) to stock mounting locations with hardware shown.

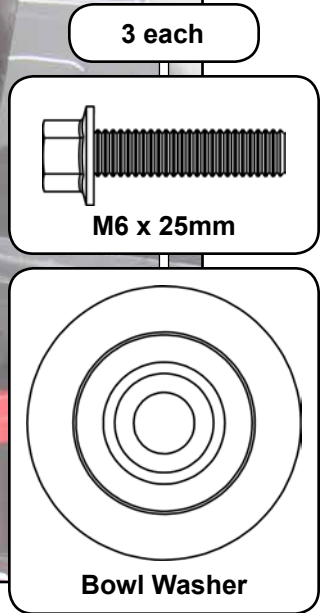
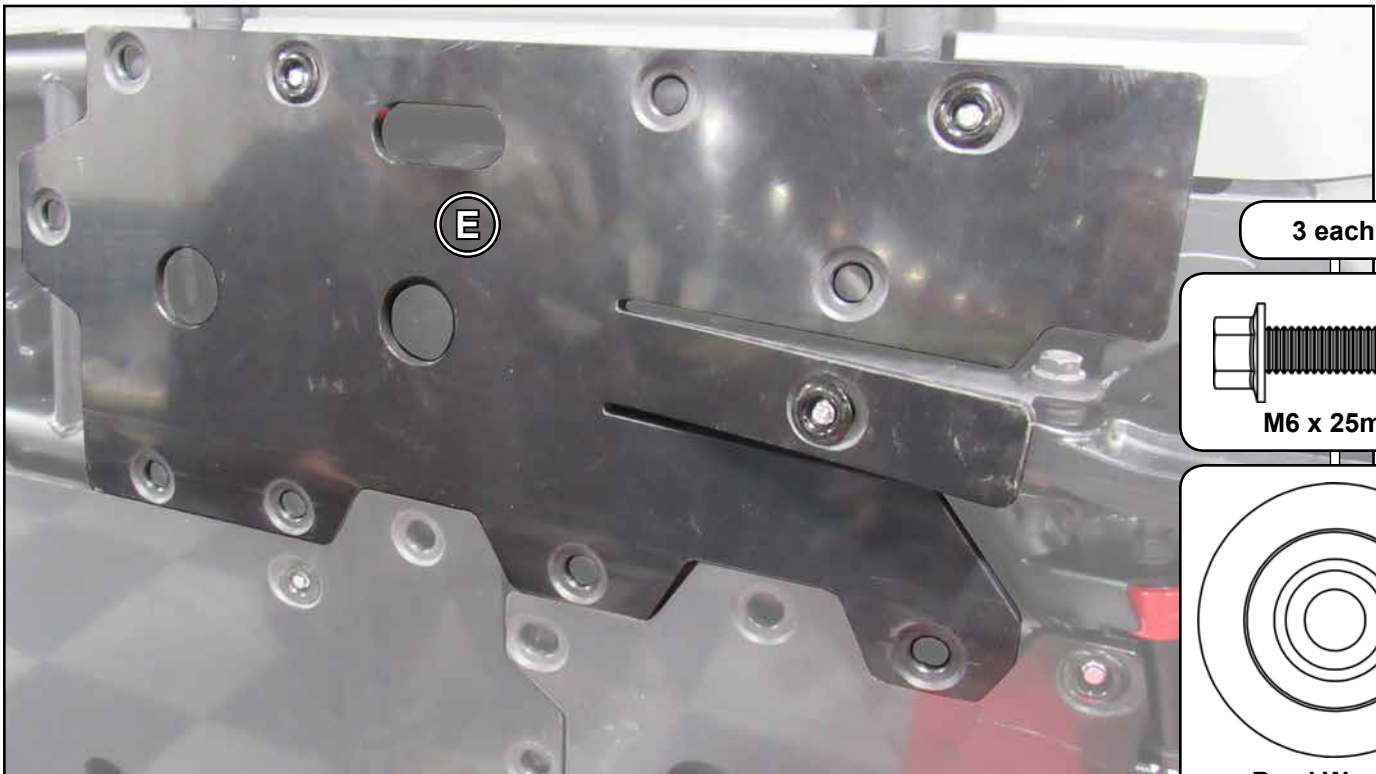


See following page for SKU FSP-P-PROR4 Rear (C) installation.

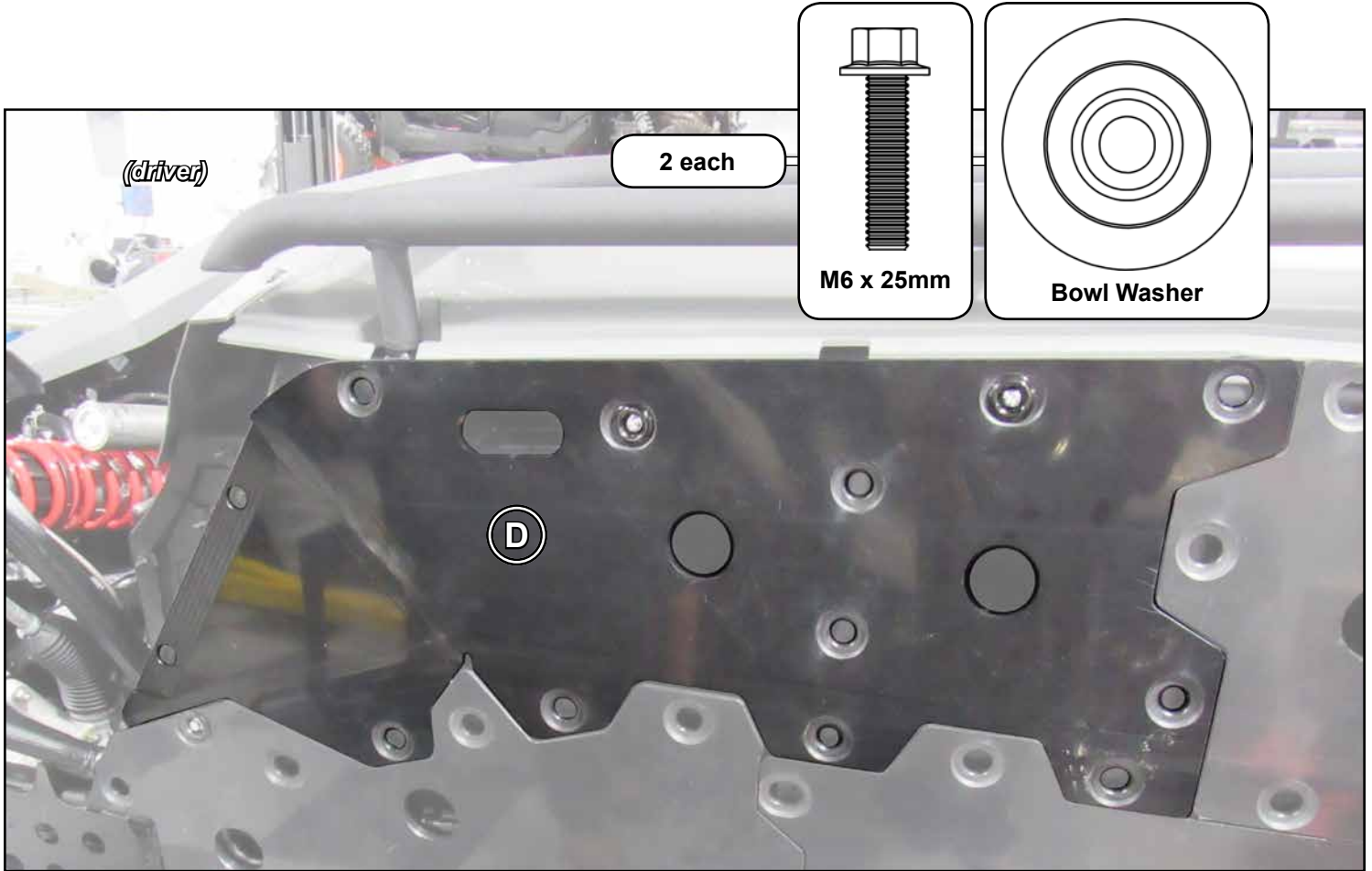
FSP-P-PROR4 Rear (C)



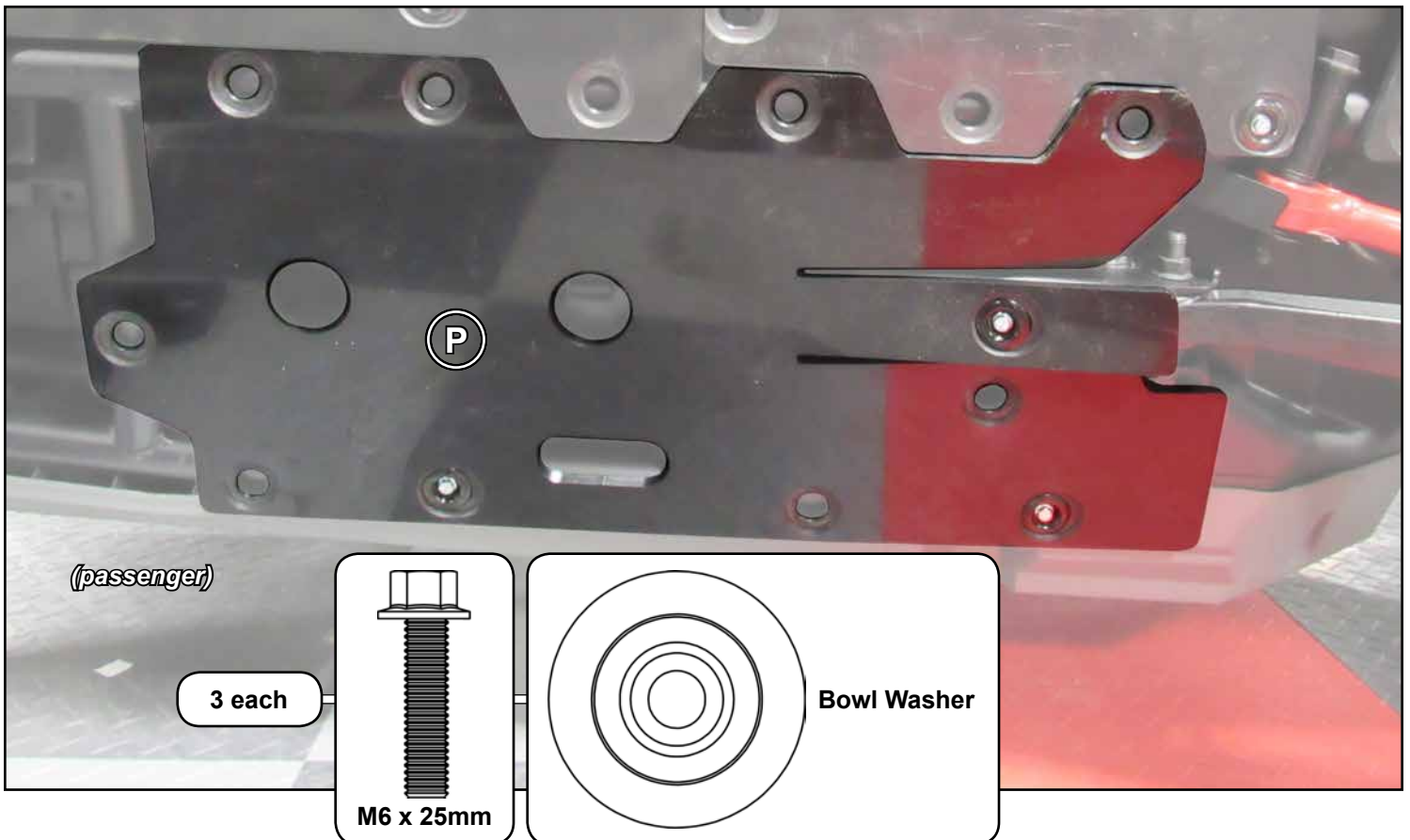
- Install Left Rear (E) to stock mounting locations with hardware shown.



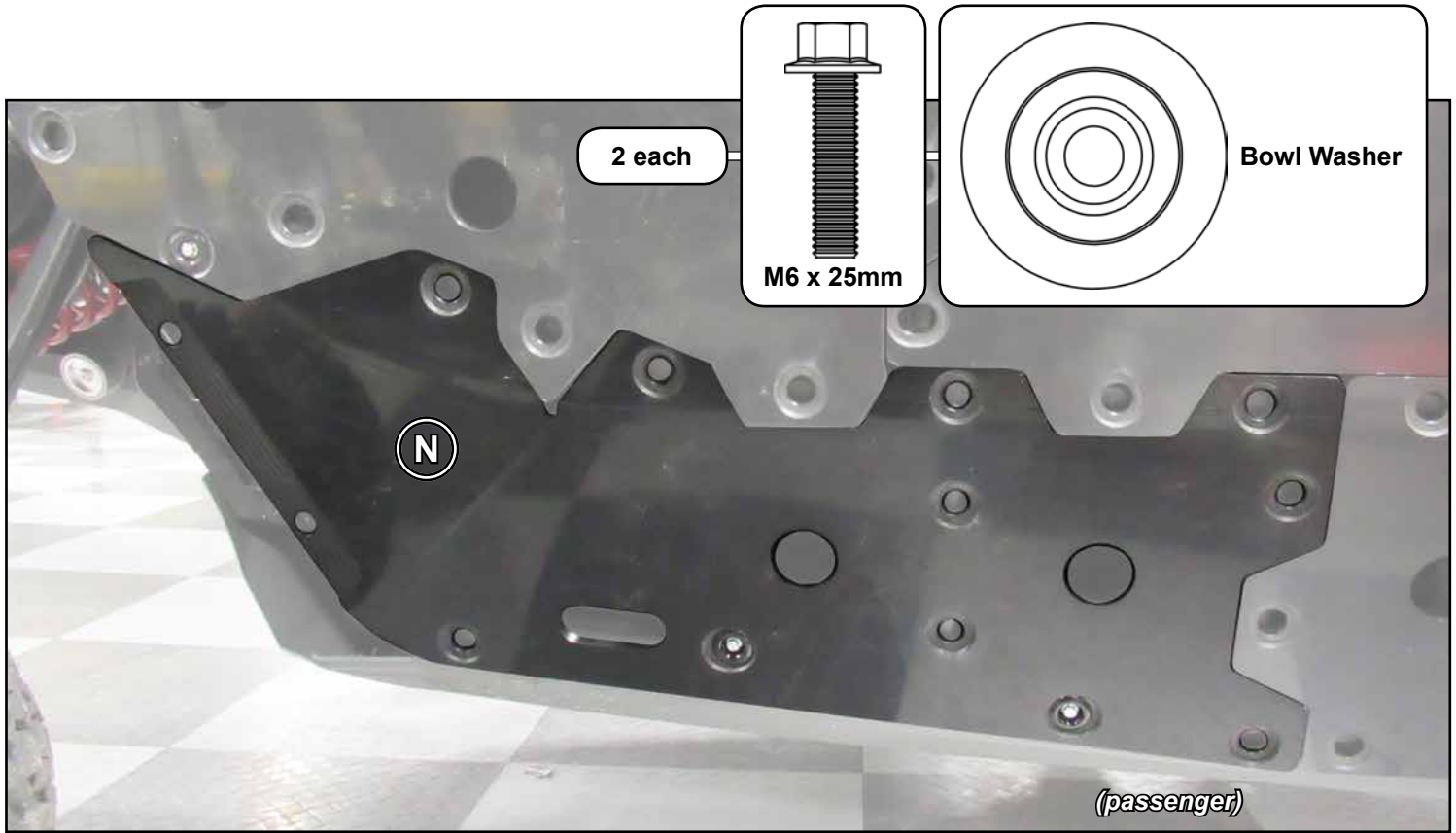
- Install Left Front (D) to stock mounting locations with hardware shown.



- Install Right Rear (P) to stock mounting locations with hardware shown.

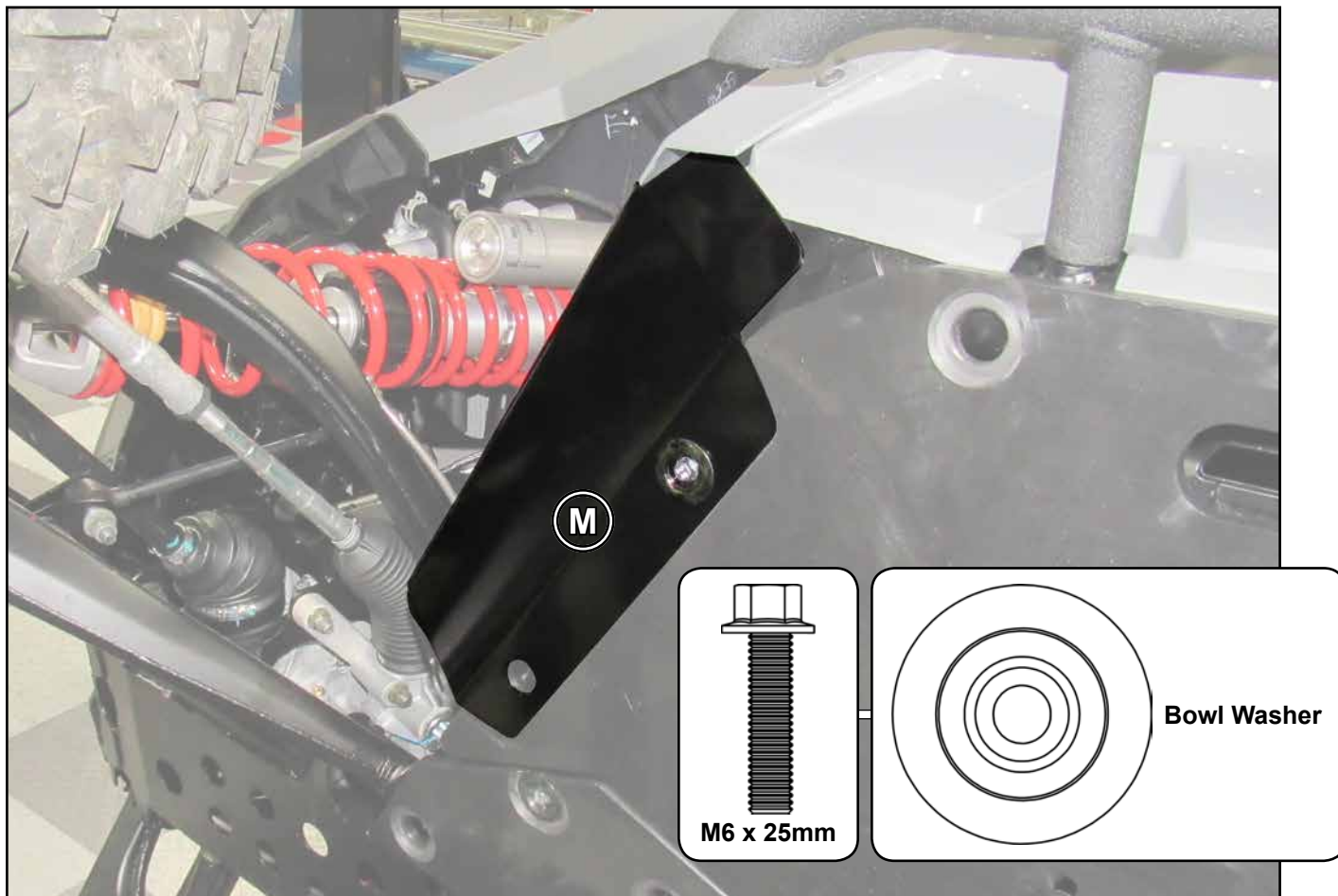


- Install Right Front (N) to stock mounting locations with hardware shown.



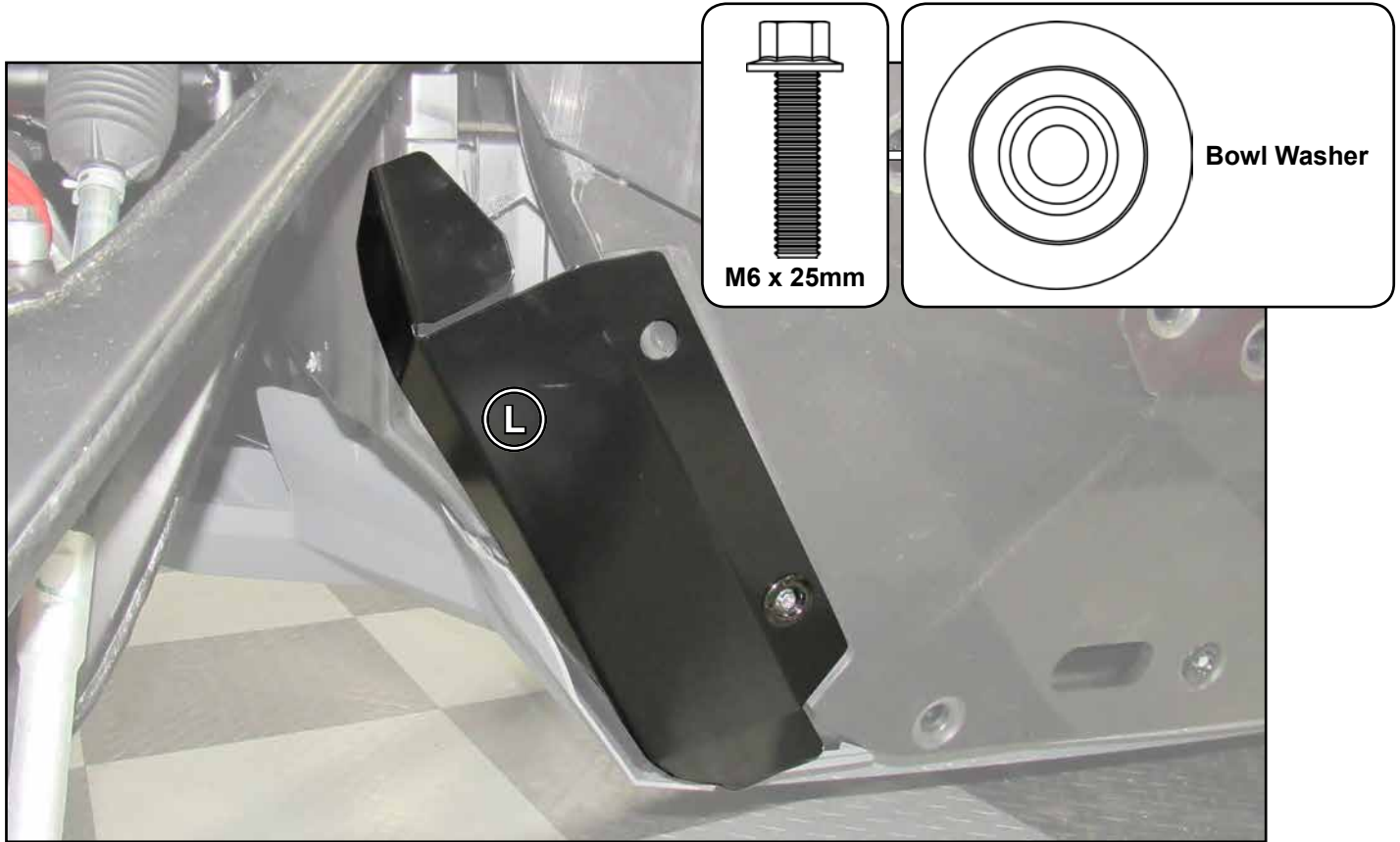
repeat for passenger side

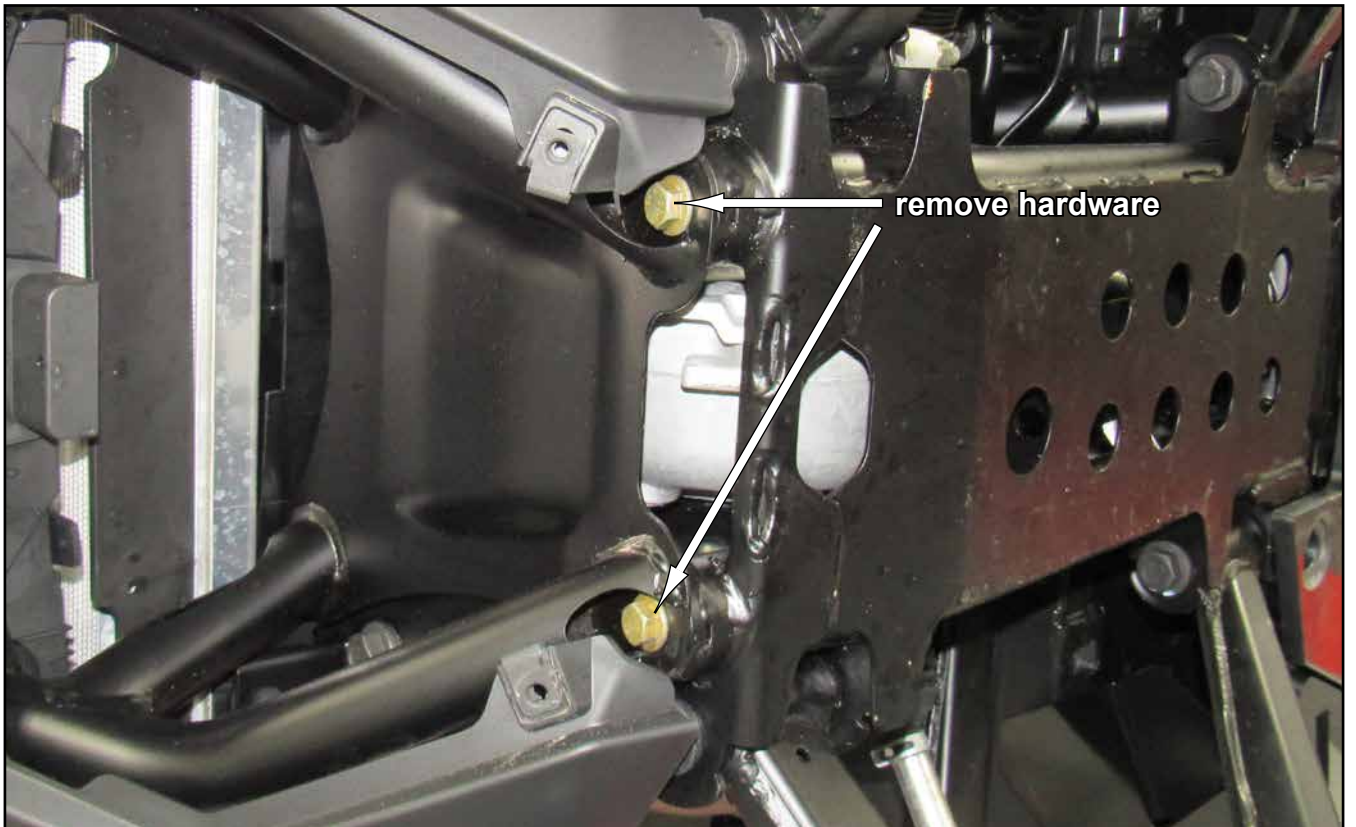
- Install Left Splash Plate (M) to stock mounting locations with hardware shown.



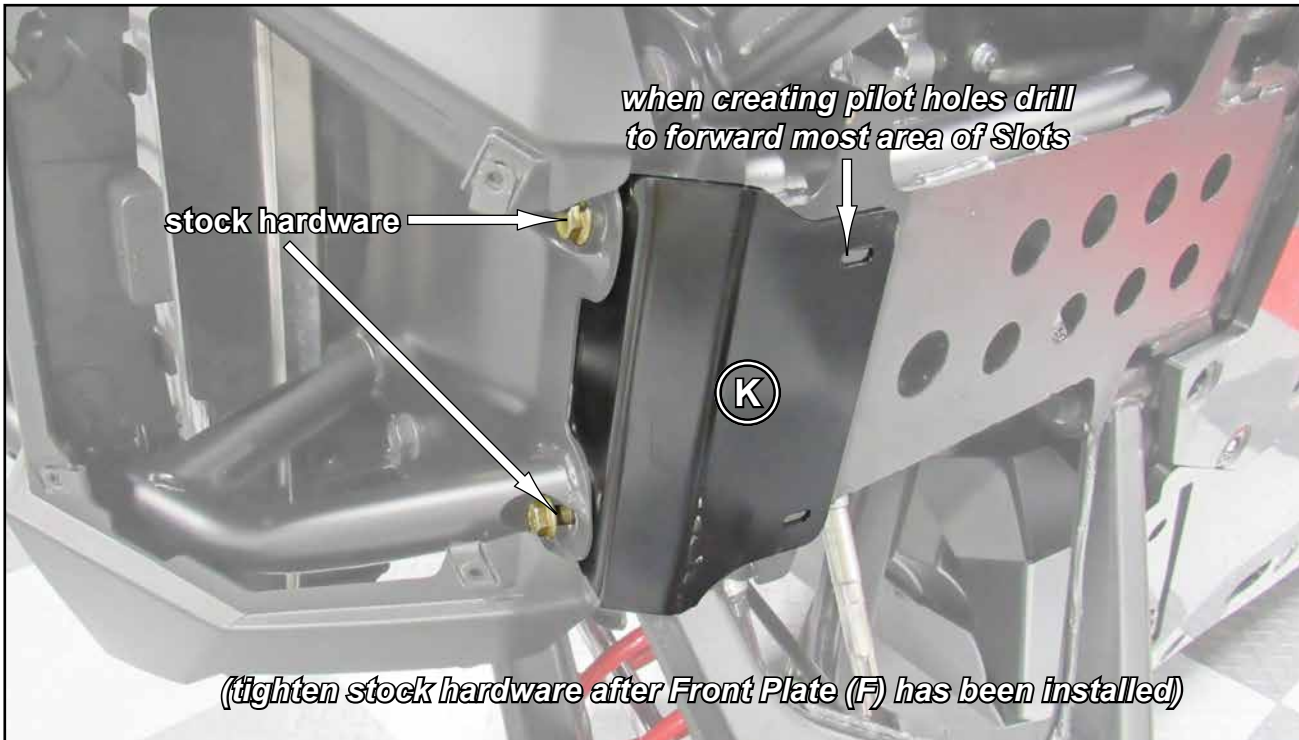
passenger side will also reuse stock hardware for this location

- Install Right Splash Plate (L) to stock mounting locations with hardware shown.

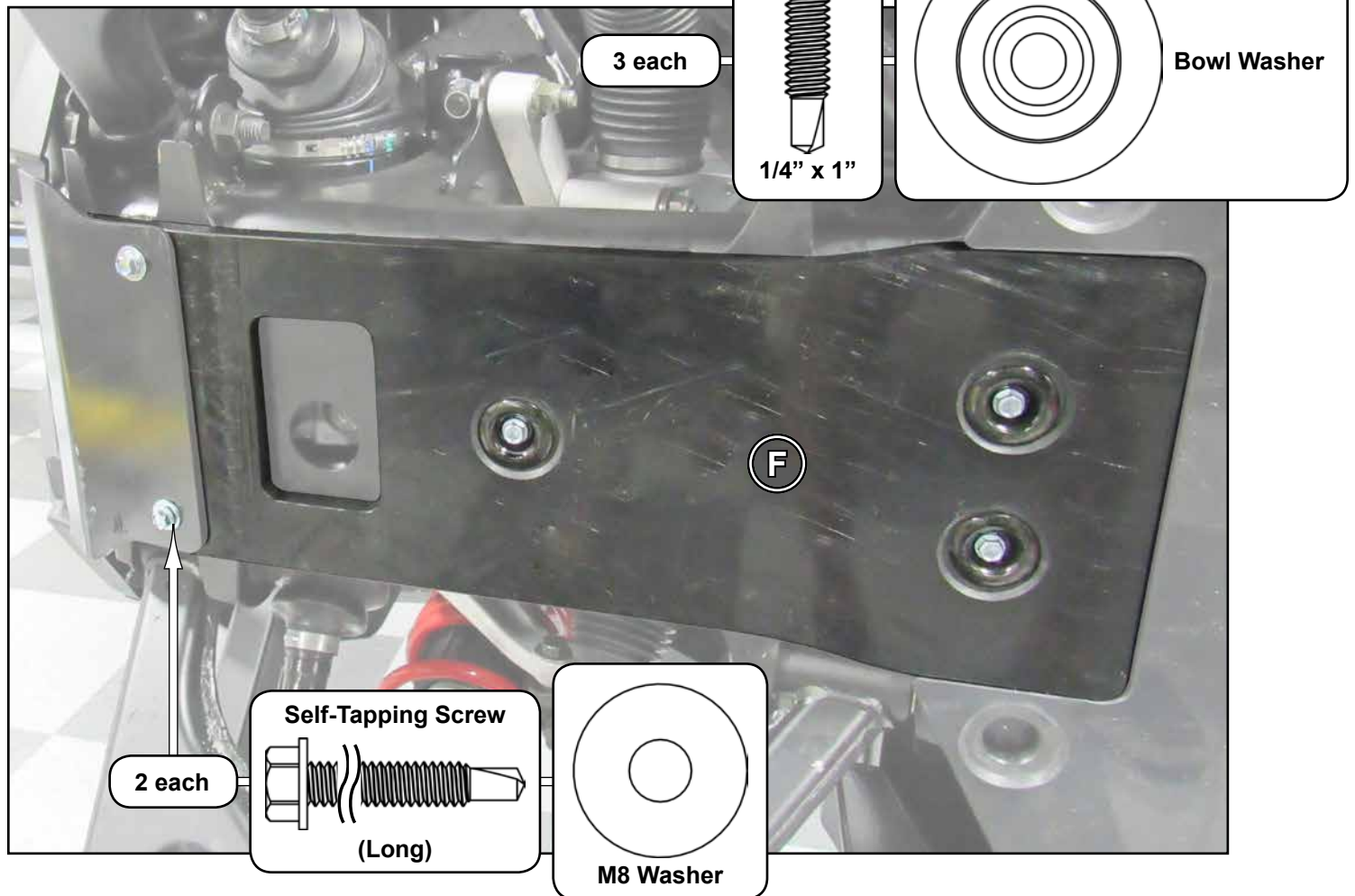




- Install Metal Plate (K) with stock hardware.

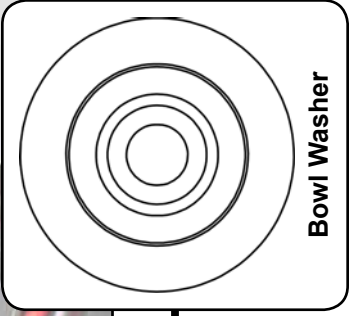


- Install Front Plate (F) with hardware shown.
- Secure Metal and Front Plate with hardware shown.

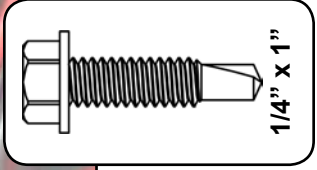


- Tighten hardware and reinstall Fascia.

- Align Skid Plate assembly to machine and tighten hardware.
- Secure remaining locations with hardware shown.



Bowl Washer



1/4" x 1"