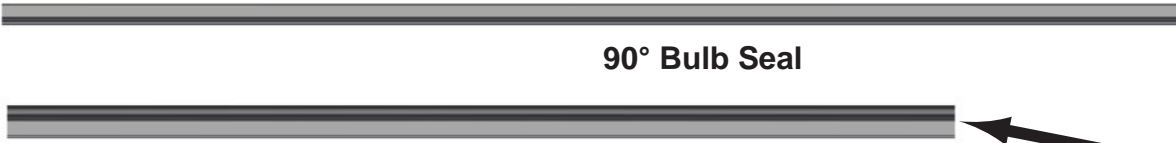


INSTALLATION INSTRUCTIONS
RWS-P-PROS: Rear Windshield

- Ⓢ Please look through and read these instructions BEFORE starting so you understand what processes you'll be doing, and possible extra tools you may need.
- Ⓢ Do Not discard product packaging until installation is complete and functioning properly.



Rear Windshield Panel



90° Bulb Seal



Straight Bulb Seal



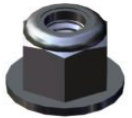
Velcro Windshield Straps



Lower Bracket



Corner Brackets



**M6
Flanged
Nylock Nut
(2pcs)**



**M6
Hex
Nylock Nut
(8pcs)**



**M6x20
Sealing
Button Head
(8pcs)**



**M6x25
Sealing
Button Head
(2pcs)**

1. The first thing you need to do is to **Install the Bulb Seals** All around the windshield. There are Two (2) Types of seals. A **Straight Bulb Seal** and a **90° Bulb Seal**. These you will cut to fit as you install them. The **90° Seal** goes from one side, along the bottom edge and up the other side. This is seal shown in **Fig.1a** with the **Bluish Tint**. The **Straight Seal** is applied to the small straight edge shown with a **Redish Tint**, and the two “U” shape cutouts also shown with the **Redish Tint**. **Fig.1a-b** also show where these are applied and cut to fit.

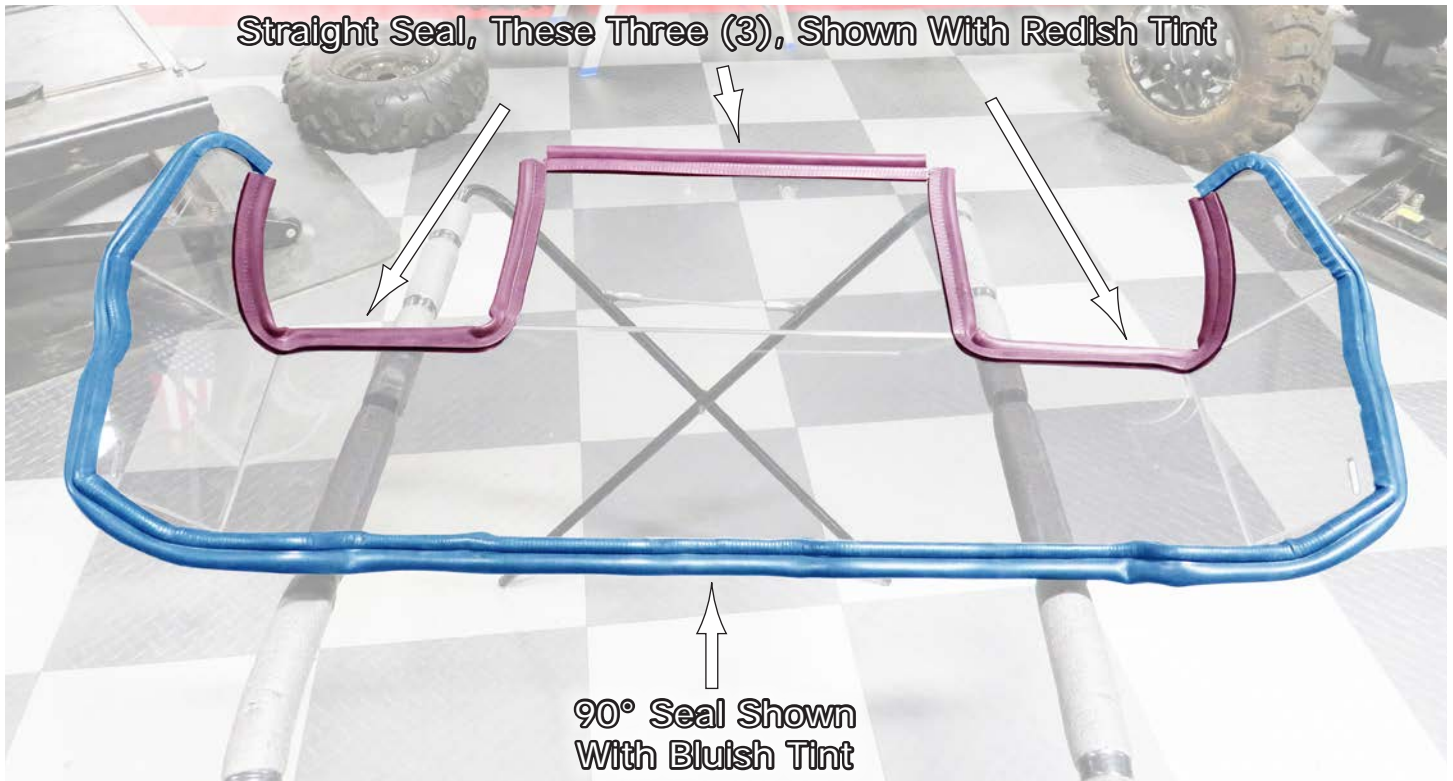


Fig.1a



Fig.1b



Fig.1c

2.Next, you will need to **Install** the **Corner Brackets** provided in your kit onto the Windshield where there is a corner gap from forming the windshield. Install them using the **M6x20 Button Head Sealing Screws** and **M6 Hex Nylock Nuts** also provided in your kit. **Fig.2a-f** shows this process.



Fig.2a

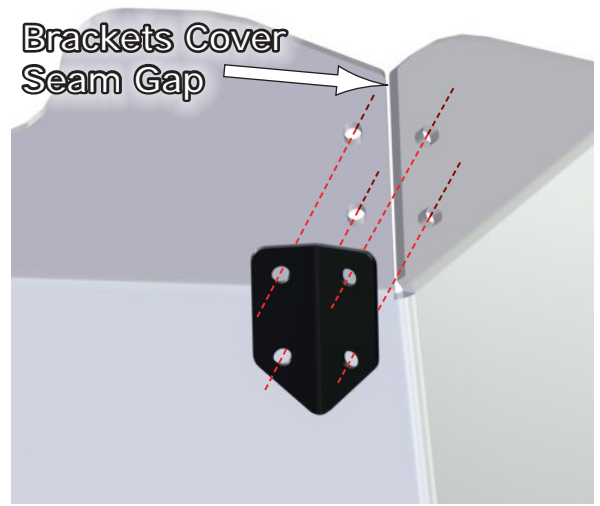


Fig.2b



Fig.2c



Fig.2d



Fig.2e



Fig.2f

3. Now you need to **Install the Lower Bracket** to the Windshield. You will Install the Bracket using the **M6x25 Button Head Sealing Screws** and the **M6 Flanged Nylock Nuts** and will mount in the center lower section of the windshield as shown in **Fig.3a-d**. Leave these a little loose for now.

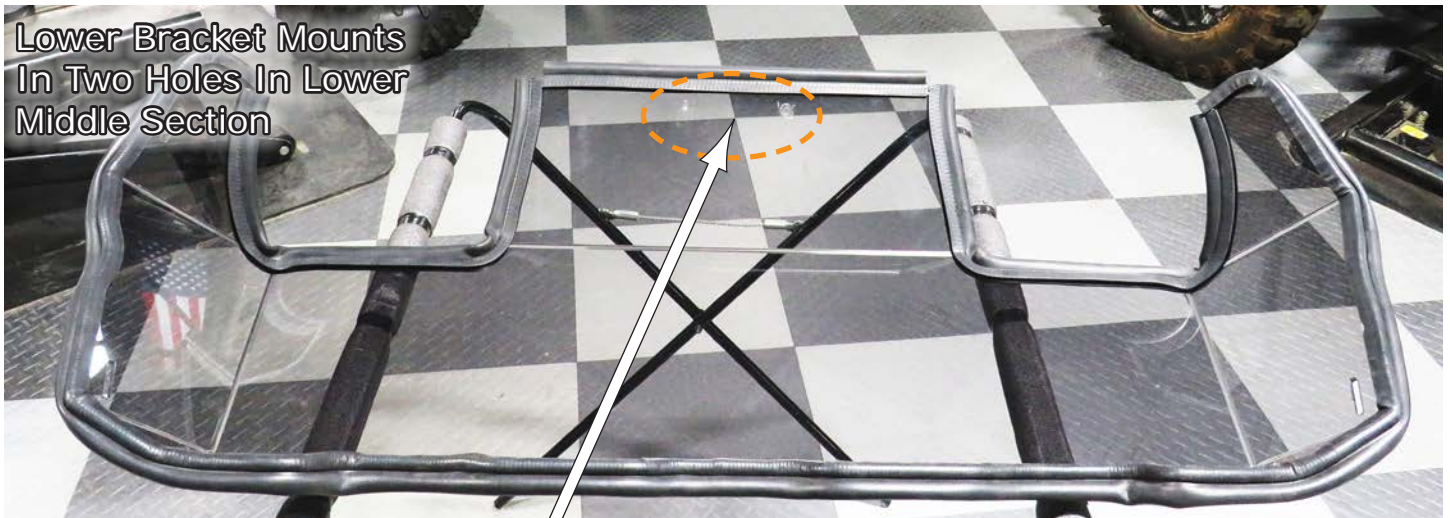


Fig.3a

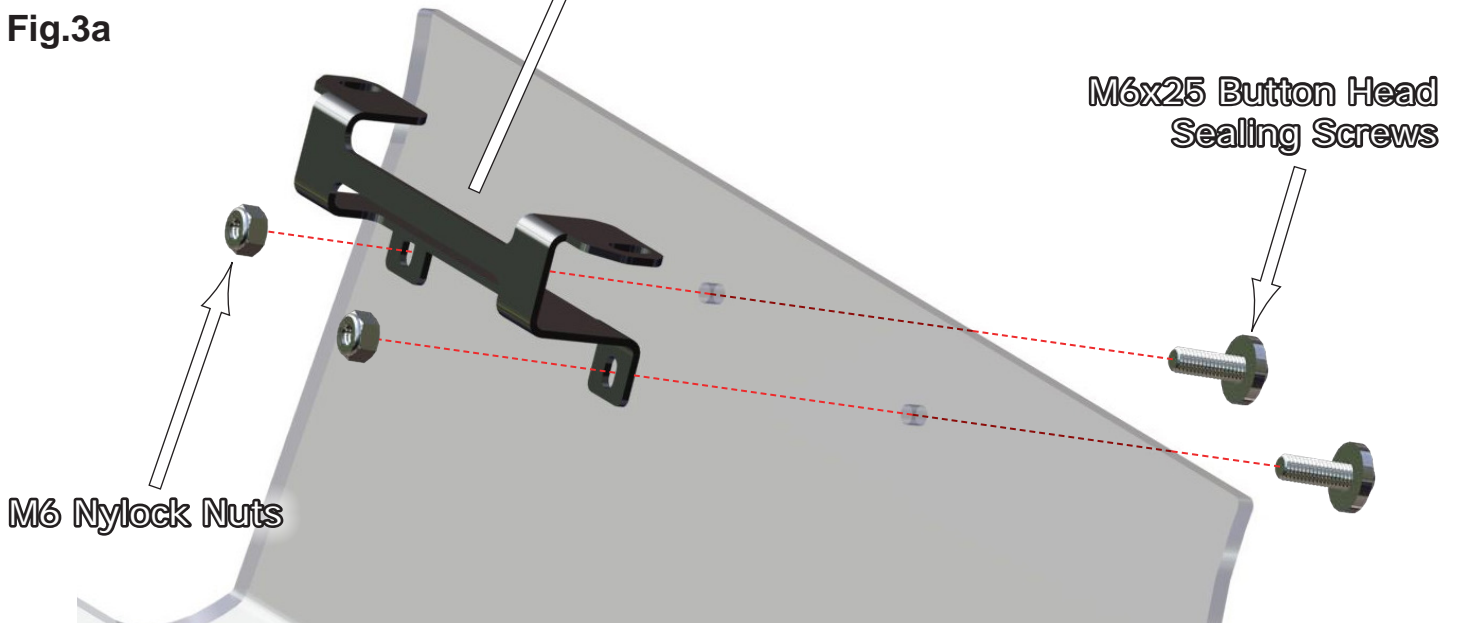


Fig.3b



Fig.3c



Fig.3c

4. Once you have the Brackets on the Windshield, set it aside as you will be **Removing** some **Screws** on the roof to be able to install it next. **Fig.4a-b** show the rear corner screws you will need to remove to gain space to slide the roof up under it. There is one screw on the top rear left and one on the right.



Fig.4a



Fig.4a

5. Once you have the Brackets on the Windshield, set it aside as you will be **Removing** some **Screws** on the roof to be able to install it next. **Fig.4a-b** show the rear corner bolts you will need to remove to gain space to slide the roof up under it. There is one bolt on the rear left and one on the right.



Fig.5a



Fig.5b



6. Now you will **Install** the **Windshield** from inside the cab area, not from the outside of the vehicle as many others install. Place it behind the seats and speakers, bottom edge feeding in first, as shown in **Fig.6a-b**. Then Squeeze the top of windshield to the frame to adjust the fit as shown in **Fig.6c**.

Install Windshield From Inside Cab Area



Fig.6a



Feed In Behind Seats And Speakers

Fig.6b



Squeeze Top To Frame To Position

Fig.6b

7. Then take the Two Torx Screws you removed previously from the center panel and use them to install the Lower Bracket to the Panel, but do not tighten down yet, leave a little loose, as you will need to attach the top of the windshield to the frame first in the next steps. Just thread in place to position. See **Fig.7a-b**.



Reinstall Previously Removed Torx Screws

Fig.7a



Install Torx But Keep Loose

Fig.7b

8. Now you will **Install** the top of the **Windshield** to the vehicle by using the **Velcro Windshield Straps** provided in your kit. Again, squeeze the top of the windshield to the frame tightly to create a good seal and **Wrap** the **Velcro Strap** around the frame bar and **Thru** the Slot in the **Windshield** and **Pull Tight** to tightly secure to the frame. Repeat for the other slot at the top as well. See **Fig.8a-b**. See **Fig.8a-b**.



Run Velcro Strap Around Frame & Thru Slot In Windshield



Fig.8a

Repeat For Other Slot At Top Of Windshield



Fig.8b

9 .After you get the top strapped in, then you will need to **Strap** the **Sides** the same way. There are **Two (2) Straps** on **Each Side** to strap down. Pull tight to secure. See **Fig.9a-b**.

Secure Velcro Strap On Sides Around Frame & Thru Slot In Windshield



Fig.9a

Repeat For Other Side



Fig.9b

10. Once the Straps are all tightened in place, now you will need to **Tighten** the **Lower Bracket** to the vehicle. So grab the handle part of the bracket and pull it towards you tightly to close and create a good seal and **Tighten** the two **Torx Screws** secure to hold your position in place. See **Fig.10a**. Then **Tighten** the **Two Screws** holding the bracket to the windshield. Tighten these secure. See **Fig.10b-c**.



Fig.10a



Fig.10b



Fig.10c

11. Now go back and **Reinstall** the **Roof Bolts** you removed previously back into the machine and tighten secure. See **Fig.11**.



Fig.11





Liability Statement

SuperATV's® products are designed to best fit user's ATV/UTV under stock conditions. Adding, modifying, or fabricating any factory or aftermarket parts will void any warranty provided by SuperATV® and is not recommended. SuperATV's® products could interfere with other aftermarket accessories. If user has aftermarket products on machine, contact SuperATV® to verify that they will work together.

Although SuperATV® has thousands of satisfied customers, user should be aware that installing lift kits, long travel, or suspension kits, tires, etc. will change the ride of machine and may increase maintenance and part wear. Operating any off-road machine while, or after, consuming alcohol and/or drugs increases risk of bodily harm or death. No warranty or representation is made as to this product's ability to protect user from severe injury or death. SuperATV® urges operators and occupants to wear a helmet and appropriate riding gear at all times.

By purchasing and installing SuperATV® products, user agrees that should damages occur, SuperATV® will not be held responsible for loss of time, use, labor fees, replacement parts, or freight charges. SuperATV®, nor any 3rd party, will not be held responsible for any direct, indirect, incidental, special, or consequential damages that result from any product purchased from SuperATV®. The total liability of seller to user for all damages, losses, and causes of action, if any, shall not exceed the total purchase price paid for the product that gave rise to the claim.

SuperATV® will warranty only parts provided by SuperATV®. Any damage or problems with OEM housings, bearings, seals, or other manufacturers' products will not be covered by SuperATV®. SuperATV® parts and products are not warranted if item was not installed properly, misused, or modified.

Installing, adding, modifying, or fabricating any factory or aftermarket product to your ATV/UTV may violate certain local, state, and federal laws. Be advised that laws vary depending on town, city, county, state, etc. Use of certain products on public streets, roads, or highways may be in violation law. The Buyer is solely and exclusively legally and personally responsible for any violation of the law by the installation or use of the product. You must abide by all local, state, and federal laws, including but not limited to vehicle safety, traffic laws, and ordinances. It is your responsibility to know the laws and how they apply to you.

The Buyer is responsible to fully understand the capability and limitations of his/her vehicle according to manufacturer specifications, warnings and instructions and agrees to hold SuperATV® harmless from any damage resulting from failure to adhere to such specifications, warnings and/ or instructions. The Buyer is also responsible to obey all applicable federal, state, and local laws and ordinances when operating his/her vehicle while using this product, and the Buyer agrees to hold SuperATV® harmless from any violation thereof.

If you have any problems/questions on this kit, contact us by email at Superatv.com.

Need help with your installation?



sales@superatv.com



www.superatv.com



1-855-743-3427



8:00am - 9:00pm EST M-Th
8:00am - 7:00pm EST Friday
9:00am - 2:00pm EST Saturday

*Thank You
For Choosing*



Like SuperATV on Facebook to keep up to date on new products!