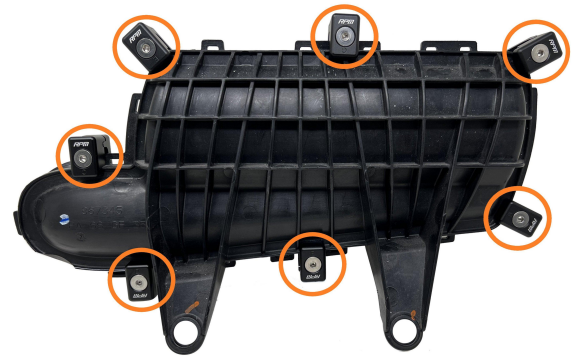


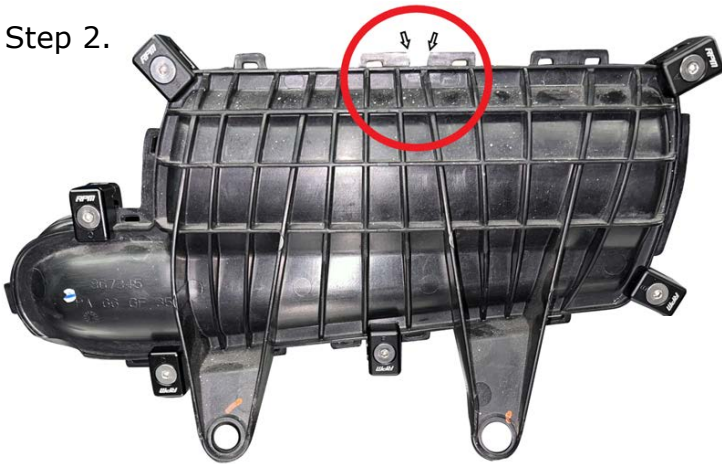
# Can-Am X3 Plenum Clamps



## Install Instructions:

1. For easiest access, remove the belt cover intake and exhaust hose. Once these are removed you have clear and easy access to the plenum.
2. You need to cut the two tabs from where clamp G will go, This can be done with wire cutters, a dremel, or sharp knife. This allows for room for the clamps bolt.

Step 2.



3. Each clamp is lettered front and back, make sure they are all paired together. At this time you can apply loctite to each bolt before installation.

4. They go in order of the lettering drawing below. They do have a specific orientation. There is no specific pattern in which to start or tighten them. Just make sure the corrected lettered clamps are in place according to the drawing.

