



Everything to Light Up Your Ride®

Magic™ Zone Bluetooth Command Remote Installation Instructions

We thank you for purchasing the Custom Dynamics® Magic™ Zone Command Remote. Our products utilize the latest technology and high quality components to ensure you the most reliable service. We offer one of the best warranty programs in the industry and we back our products with excellent customer support, if you have questions before or during installation of this product please call Custom Dynamics® at 1(800) 382-1388.

Part Number: MAGICZONE-BT

Package Contents:

- Bluetooth Remote Module with inline fuse (1)
- Remote Key Fob (2)

Optional (Sold Separately):

CG01 Cage Clamps (4) for wire connection (included w/ CD lighting kits)
Winter Kill Switch (1) to kill power to remote during storage

Fits: Compatible with 12VDC systems with a negative ground.

Custom Dynamics® recommends always installing a Winter Kill Switch in line with remote power to kill power to the remote brain box during storage.

Installation Tips

1. Follow the wiring instructions on page 2 for wiring the LED's to the harness. Note: there are 2 red wires, the wire with the Fuse goes to the battery.
2. Disconnect the Negative [-] battery cable from the battery before beginning wiring to avoid electrical shorts.
3. Pick a location to run all of the wires from the LED's and make your connections. The most common location is under the seat so to have easy access to the battery. Install the Magic™ Zone Command Remote in this area, paying attention so that the module will not get crushed or in direct contact with water and the wires will not get pinched, cut or frayed when the seat is reinstalled.
4. Decide which LED's will be on which zone, then group the wires by zone 1, 2 and 3.
5. The output wire for any unused zone should be capped off to prevent shorting.
6. For a clean, reliable install, use terminal blocks or Cage Clamps® to group your wires.
7. Test function of the remote before riding.
8. If system will not turn on, check the inline fuse on the red wire, then check the connections to the battery.
9. If system will not turn on, verify that the Red light on the key fob is coming on. If it is not, or Red light is dim or is flickering, batteries are weak. Replace with fresh batteries and try again.



ATTENTION



Please read all Information below before Installation

Caution: Before beginning installation, disconnect the negative battery cable from the battery to prevent damage to the LEDs or remote during installation. Damage to either as a result of direct shorting is not covered under warranty.

Important: This unit is rated for a 7.5 amp load. Never use a fuse greater than 7.5 amps in the in-line fuse holder, using a larger fuse or bypassing the fuse will void warranty.

Note: This guide assumes user has properly installed the LED lighting products that are to be used in conjunction with this Remote. Custom Dynamics is not responsible for procedures and instructions for installing LED products from other manufacturers.

Note: Zone Command Module™ App is Compatible with iPhone 4S and newer equipped with Bluetooth 4.0 and with Android phones versions 4.3 and newer with Bluetooth 4.0. Zone Command Module™ apps are available for download from the following sources:

- Google Play: <https://play.google.com/store/apps>
- iTunes: <https://itunes.apple.com/>

Keyword Search: Custom Dynamics or CCM-5BTS

Important: Module should be secured after installation in an area away from heat, water and any moving parts. We recommend the use of tie wraps (sold separately) to secure the module and wires to prevent them from getting cut, frayed, or pinched. Custom Dynamics is not liable for damage as a result of improperly securing or failing to secure the remote or the wiring.

Note: The functions available from the provided key fobs vary from the functions available in the Bluetooth controller. Please read instructions completely before operating.

Operational Note: During the Dim Slider function, dropping to 30% or lower while in breathe/strobe or zone transition modes will decrease the voltage cycle significantly, which may cause subtle variances in the zone transition speed or strobe/breathe speed. This is normal operation of the Remote.

Questions? Call us at: 1 (800) 382-1388 M-TH 8:30AM-5:30PM / FR 9:30AM-5:30PM EST

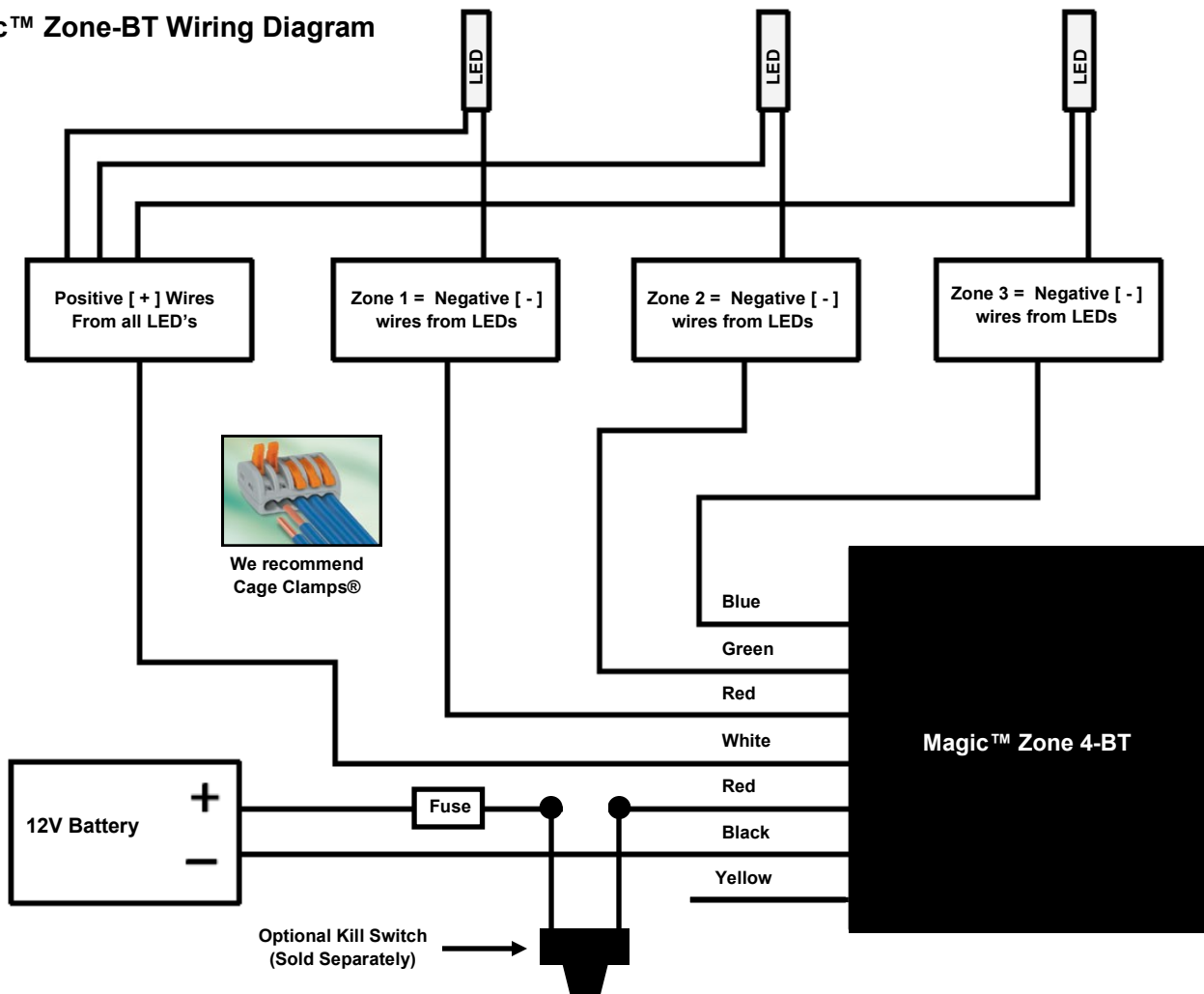
Installation Instructions - Page 2

Wiring The Remote

For joining large quantities of wires, we recommend using cage clamp connectors, (included with most Custom Dynamics LED accent lighting Kits). The cage clamps offer easy connection of the LEDs to the Magic™ Zone Remote. Strip back enough insulation on the wires and terminate as follows:

1. RED wire with Fuse - Connect to the [+] Positive terminal of 12 volt battery or power source.
2. BLACK wire - Connect to the [-] Negative terminal of 12 volt battery or power source.
3. WHITE wire - Positive current connection point: Connect to the positive [+] wires from the LEDs in all 3 zones.
4. RED wire - Zone 1 Connection point: the negative [-] wires from the LEDs from zone 1.
5. GREEN wire - Zone 2 Connection point: the negative [-] wires from the LEDs from zone 2.
6. BLUE wire - Zone 3 Connection point: the negative [-] wires from the LEDs from zone 3.
7. Once wiring is completed, clean up installation and secure the module. Make sure wiring is neat and will not be pinched, frayed or cut, when the seat is installed.
8. Re-connect the negative battery terminal, then use the Key Fob to test the LEDs. See page 3 for Key Fob features.

Magic™ Zone-BT Wiring Diagram



Questions? Call us at: 1 (800) 382-1388 M-TH 8:30AM-5:30PM / FR 9:30AM-5:30PM EST

Installation Instructions - Page 3

Magic™ Zone BT Key Fob Features:

Button [1] - On Function/Select Zone

- Press once to turn zone 1 lights on.
- Press repeatedly to cycle through the zone combinations (Allows single zone play or combinations)

Enter 2 Hour Timer Mode:

- Select your desired program settings
- Then Press button [1] down and hold:

The lights will blink white quickly then return to their previous function for 2 hours. At the end of the time limit, the lights will shut off automatically. Do not change program or touch any buttons as this will cancel the timer. Time cannot be adjusted. To turn timer function off, hit any button on the key fob and or turn the lights off.

Note: The use of the App controller gives you more time duration setting options, see page 6 for details.

Button [2] - Auto Cycle with 3 Speeds

- Press to turn lights on, cycles through zones automatically
- First program is speed 1 (slow)
- Press again for speed 2 (medium)
- Press again for speed 3 (fast)

Button [3] - Strobe/Breathing Functions

- (After button [1] or [2] is pressed first to turn lights on preset colors)
Press repeatedly to cycle through:
- 3 Strobe effects patterns
 - 3 Breathing effect speeds

Button [4] - Off /Memory

During Auto Cycle:

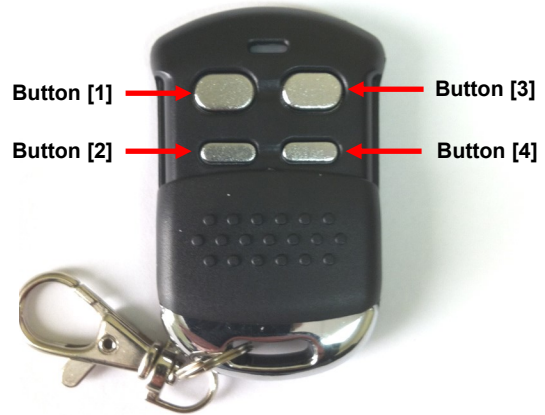
- Press to pause and save on desired combination of zones
- Press again to turn off the lights
- Press again to turn lights back on and resume saved cycle

During Manual zones and "Strobe" or "Breathing" effects:

- Press once to save function and turn lights off
- Press again to turn on and resume zone or effects.

Ability to Auto Cycle and Strobe/breathe at the same time:

- Press button [2] 1 to 3 times to select auto cycle speed
- Then Press button [3] 1 to 3 times to select strobe/breathe



Receiver

Power: 12V/7.5A Fused

Transmitter/Key Fob:

Distance: Up to 50 Meters (clear line of sight)
Antenna: Internal
Power: 12V/10MA
Batteries: (2) CR2016 Coin Cell

Bluetooth Module:

Distance: Up to 50 Meters (clear Line of sight)
Antenna: Internal
Power: 12V

MAGICZONE-BT Features:

- Built-in Short Circuit Protection
- Memory Save
- Zone configuration
- Timer Function
- 3 Year Warranty



Note: Never use a fuse greater than 7.5 amps in the in-line fuse holder, using a larger fuse will void warranty.



Everything to Light Up Your Ride®

Custom Dynamics® is proud to offer a 3 year warranty on your new remote. Contact us for details.

Questions? Call us at: 1 (800) 382-1388 M-TH 8:30AM-5:30PM / FR 9:30AM-5:30PM EST

Installation Instructions - Page 4

Bluetooth Zone Command Module

Get more control from your LED lights with the Magic™ Zone Command Module Bluetooth controller. This easy to use interface gives you more color options and function combinations than just using the key fob alone. See below for touch screen features.

Compatible with iPhone 4S and newer equipped with Bluetooth 4.0 and with Android Phones Versions 4.3 and newer with Bluetooth 4.0.

<https://play.google.com/store/apps/details?id=com.customdynamics>

Apps for iPhone devices are available for download at: iTunes: <https://itunes.apple.com/>

Keyword Search: Custom Dynamics or CCM-5BTS

The screenshot shows the app interface with the following callout boxes:

- Bluetooth Connect buttons:** Scan, OK, & Disconnect. (Points to the top row of buttons)
- Slider Console:** Control The intensity of each of the 3 zones. Dim Controls Brightness of all zones simultaneously. Speed controls Strobe Flash and Zone transition rates. (Points to the Zone 1, 2, 3, Dim, and Speed sliders)
- Simple easy to use On & Off Buttons:** Color coded active status in Red. (Points to the ON and OFF buttons)
- Function Buttons:** 6 Different Function programs to choose from. See next pages for explanation. Active function highlighted in red. (Points to the F1-F6 buttons, where F4 is highlighted)
- Timer Function:** Allows users to set lights while parked and walk away. Timer durations are 30/60/120 minute intervals. (Points to the Timer dropdown menu)



Everything to Light Up Your Ride®

Installation Instructions - Page 5

Bluetooth Control Interface Sync Instructions-Android & iPhone

1. Make sure there is power going to the Remote Module.
2. Download the phone App for the appropriate operating system. Follow the prompts on device. Consult the Phone manufacturer if unsure of this process. Keyword Search: **Custom Dynamics or CCM-5BTS**. (Be sure to download the correct "Zone Remote" application)

Note: Remote should be synced through the app only, do not attempt to manually pair devices through the device settings.

3. Open the App by touching the logo application icon, then sync the app to the receiver by tapping the "Scan" button. A list of Bluetooth devices should pop up. Find the device (labeled: CCM-5BT) in the list and tap to select. The application will confirm the connection. If the message reads connection failed or Disconnected, try the sync again. If remote does not show up in the list of devices or has trouble connecting, try rebooting the phone, then check to make sure Bluetooth function is enabled. Also, verify that power is getting to the remote module.
4. Turn on the Lights with the interface by tapping the "On" button. When activated, the button will change color from black to red. The "F1" button will also change to red to indicate function 1 - Single zone control is activated.

1 Open the app located in the "APPS" section of phone.

2 Tap on the Scan button at the top left under logo.

3 System Prompt pops up asking to select a device.

4 Tap the bar that says "Scan for devices". (Android only - iPhone users skip to #5)

5 A list of available devices will be displayed. Tap the screen to select the CCM-5BT.

6 Confirmation of connection will be displayed at the bottom.

Installation Instructions - Page 6

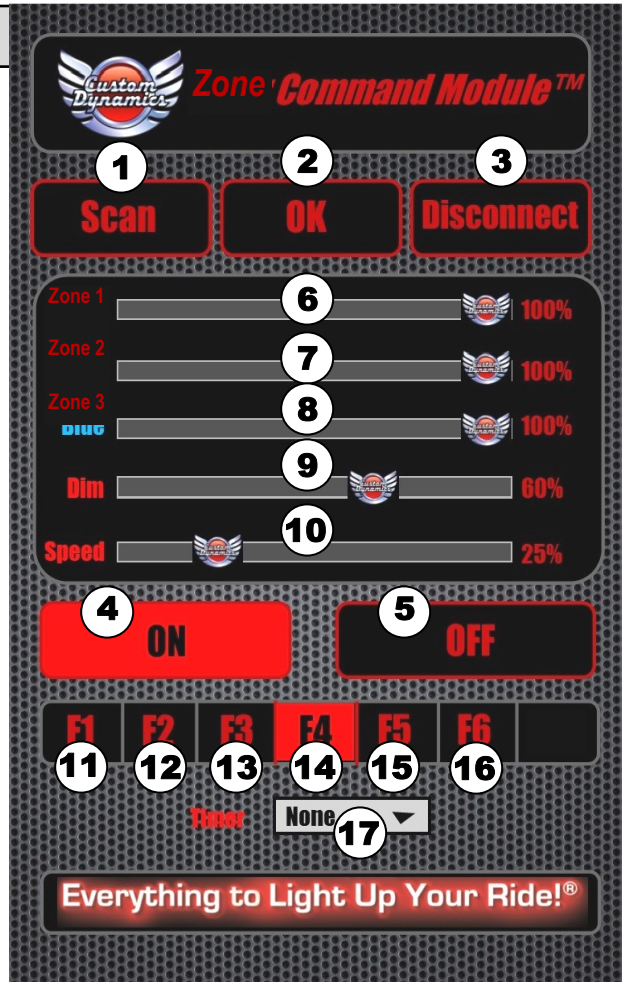
Bluetooth Control Interface Functions

1. **Scan:** Tap the Scan button to Sync the Interface with the receiver via Bluetooth. Select the device in the list, tap to confirm. The Phone should give confirmation it is connected.

Note: If the app has trouble connecting or does not show CCM5-BT available in the list of devices, try rebooting the phone, then double check that Bluetooth function is enabled.

2. **OK:** Tap to confirm Bluetooth selection or when prompted by the Application.
3. **Disconnect:** When this is tapped, connection between the interface and the receiver is turned off. This should be performed when the system is turned off and the application will not be used.
4. **On:** Tap anywhere in the button area and the lighting system comes on in the default F1 single color program. When power is turned on, this button will be red.
5. **Off:** Tap anywhere in the button area and the lighting system will turn off.
6. **Zone 1 Slider:** Controls the amount of power to the LEDs assigned to zone 1. The Scale from left to right is 0-100 %. Touch the Logo button within the slider area to adjust the intensity of the color. The Slider function is available in F1-F3 programs.
7. **Zone 2 Slider:** Controls the amount of power to the LEDs assigned to zone 2. The Scale from left to right is 0-100 %. Touch the Logo button within the slider area to adjust the intensity of the color. The Slider function is available in F1-F3 programs.
8. **Zone 3 Slider:** Controls the amount of power to the LEDs assigned to zone 3. The Scale from left to right is 0-100 %. Touch the Logo button within the slider area to adjust the intensity of the color. The Slider function is available in F1-F3 programs.
9. **Dim Slider:** Controls the amount of overall intensity of the LEDs within all three zones simultaneously. The Scale from left to right is 0-100 %. Touch the logo button within the slider area to adjust the overall brightness.
10. **Speed Slider:** Controls the speed of the zone transition as well as the speed of the strobe patterns. The Scale from left to right is 0-100 %. Touch the logo button within the slider area to adjust the speed of strobe or zone transition.
11. **F1—Function 1 (Zone control Mode):** This is the default program when the interface is turned on. Each Zone will come on full intensity at 100%. Adjust the Zone sliders to adjust individual zone intensity.
-Dim slider allows all 3 zones to adjust intensity simultaneously.
-Speed slider does not control anything in the F1 mode.
12. **F2—Function 2 (Strobe Mode):** Adds a strobe to the Solid color zones selected in F1. Allows each zone slider to be adjusted during strobe operation.
-Dim slider also works to dim the brightness of all zones a one time.
-Speed slider works to slow the timing of the strobe function.
13. **F3— Function 3 (Zone Breathe Mode):** Adds a breathe function to the solid color zones selected in F1. Allows each zone slider to be adjusted during breathe operation.
-Dim slider also work to dim the brightness of all zones at one time.
-Speed slider works to slow the timing of the breath function.

F3 Note: In F3 mode, with the speed slider at 100%, adjusting the zone sliders 1,2 or 3 will create a custom breath cycle. The different values in each zone, creates different breathe durations. The speed slider can then be used to change the pattern even further.



Installation Instructions - Page 7

14. **F4—Function 4 (Random Zone Change Mode):** The program randomly changes between all 3 zones. Note: In F4, the zone profile changes to a preset that is not adjustable, the zone sliders will not work in this mode.
 - Dim slider allows the adjustment of overall light intensity of all zones together.
 - Speed slider allows control of the speed of the changes.

15. **F5—Function 5 (Single Pattern Strobe flash with Auto Zone cycle):** Automatically cycles through program zone change cycle with a single strobe flash. Note: In F5, the zone profile changes to a preset that is not adjustable, the zone sliders will not work in this mode.
 - Dim slider allows the adjustment of overall light intensity of all zones together.
 - Speed slider allows control of the strobe and zone change speed at the same time.

16. **F6—Function 6 (Auto Zone Cycle with Breathe function):** Automatically cycles through program zone change cycle with a breathe function. Note: In F6, the zone profile changes to a preset that is not adjustable, the zone sliders will not work in this mode.
 - Dim slider allows the adjustment of overall light intensity of all zones together.
 - Speed slider allows control of the breath and zone change speed at the same time.

17. **Timer Mode:** Tap on the drop down arrow to pull up the timer options in minutes: 30/60/120, select a time and walk away. When the timer mode is set, the lighting system will turn off after a preset amount of time. This is intended for showing off the vehicle lighting in the parked position.

Note: The lights will blink white quickly then return to their previous function. At the end of the time limit, the lights will shut off automatically. Do not change program or touch any buttons as this will cancel the timer. Time cannot be adjusted once set. To turn timer function off, hit any button on the interface or key fob or turn the lights off.

Note: If the Timer mode is set with the Key fob instead of the application, the key fob command is capable of a 2 hour time duration only.



Everything to Light Up Your Ride®